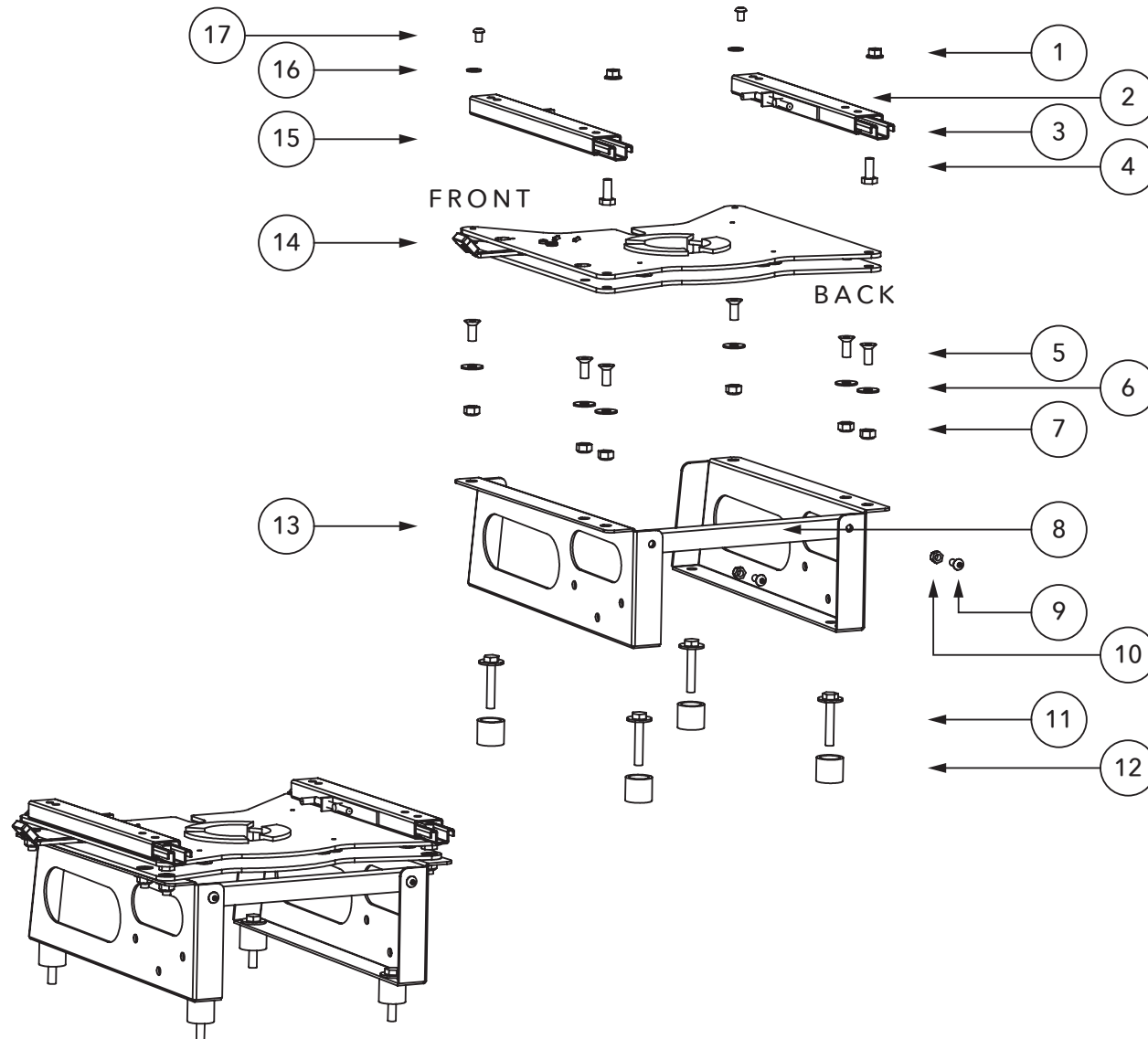


## RIB Seat Swivel Installation EXPERT / DISPATCH / PROACE K0 - PASSENGER

Installation diagram for  
CBTO22D2  
**PASSENGER**



1	2 Serrated flange head nuts M10
2	Original K0 sliders
3	Cut 35-40 mm off the rear of each slider
4	2 Threaded bolts M10x25, 25 N.m
5	6 Countersunk hexagon bolts M10x25, 25 N.m
6	6 Washers M10x27x2
7	6 Nylstop nuts M10
8	Connecting angle K0
9	2 Nylstop nuts M8
10	2 Dome head hex screw M8x16, 23 N.m
11	4 Original K0 screws M10x60, 40 N.m
12	4 Spacers for floor mats lg 30 mm
13	Right + left side of case
14	Swivel base - Passenger K0
15	Cut off the 2 pins under the slider
16	2 Contact washers M8x18
17	2 Dome head hex screws M8x12, 23 N.m