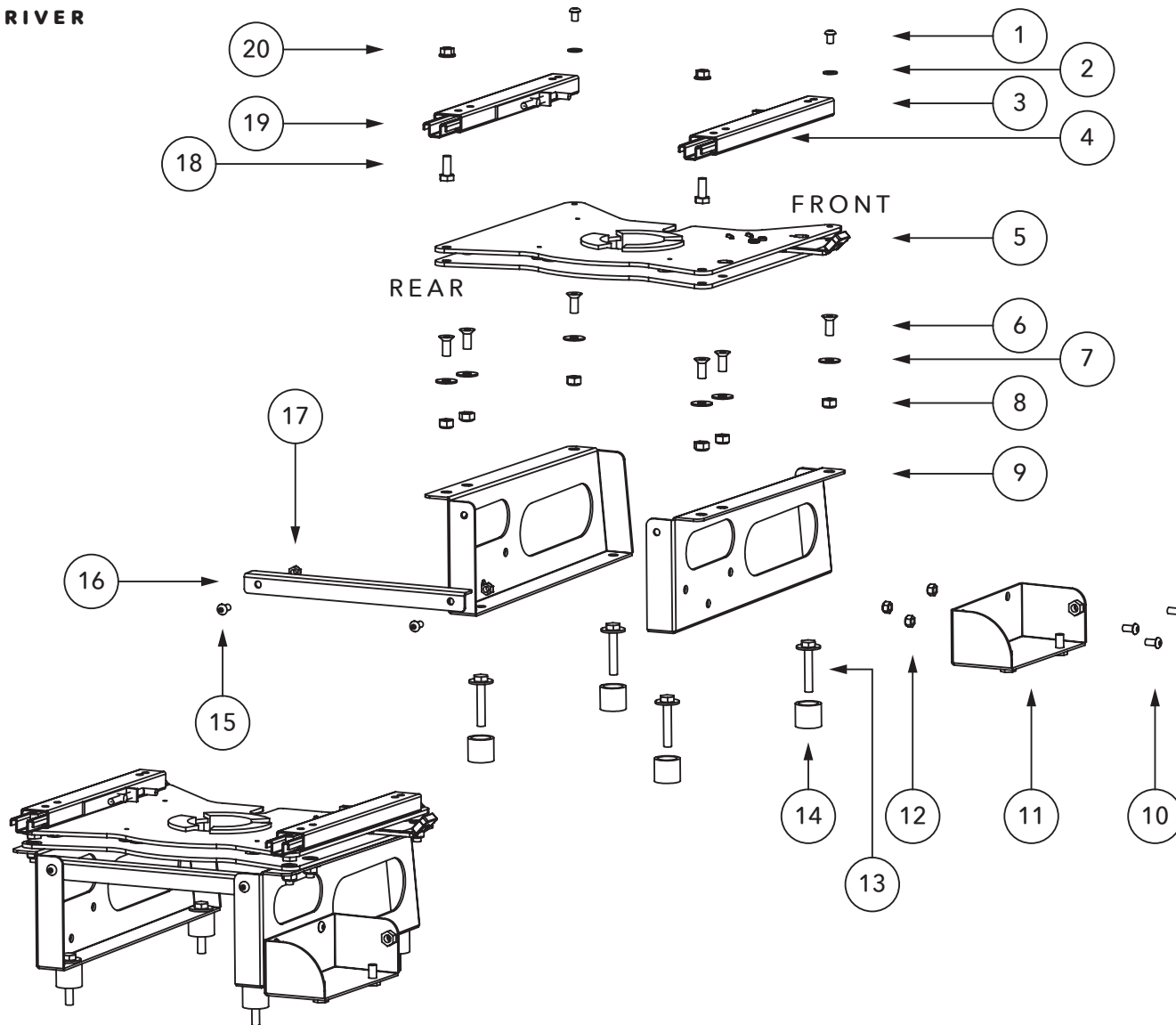


RIB Seat Swivel Installation EXPERT / DISPATCH / PROACE K0 - DRIVER

Installation diagram for
CBTO22G2
DRIVER



1	2 Dome head hex bolts M8x12 - 23 N.m
2	2 Contact washers M8x18
3	Original K0 sliders
4	Cut off the 2 pins under the slider
5	Swivel plate - Driver K0
6	6 Countersunk hexagon bolts M10x25, 25 N.m
7	6 Washers M10x27x2
8	6 Nylstop nuts M10
9	Right & left side of box
10	3 Nylstop nuts M8
11	Handbrake support
12	3 Dome head hex bolts M8x16 - 23 N.m
13	4 Original K0 bolts M10x60, 40 N.m
14	4 Spacers for floor mats lg 30 mm
15	2 Dome head hex bolts M8x16, 23 N.m
16	Connecting angle K0
17	2 Nylstop nuts M8
18	2 Threaded bolts M10x25, 25 N.m
19	Cut off the plastic casing 35-40 mm
20	2 Serrated flange nuts M10