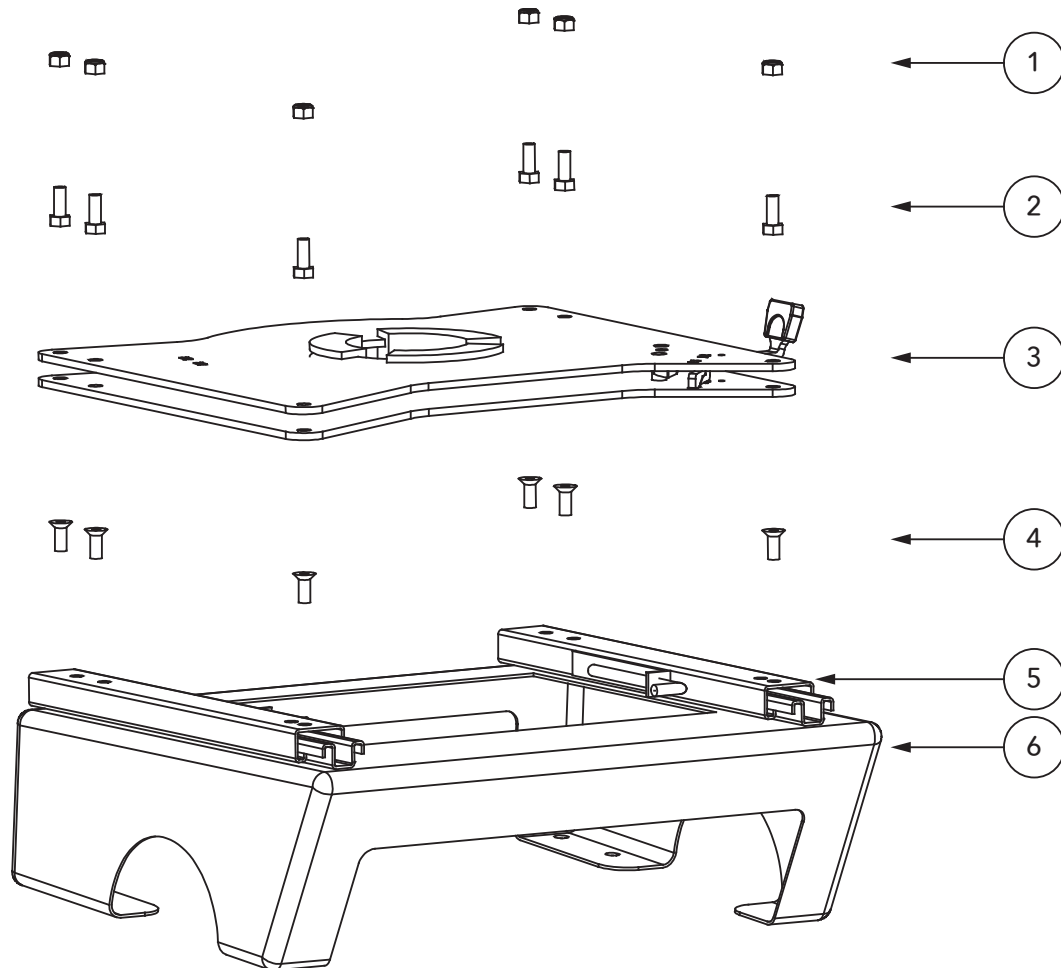


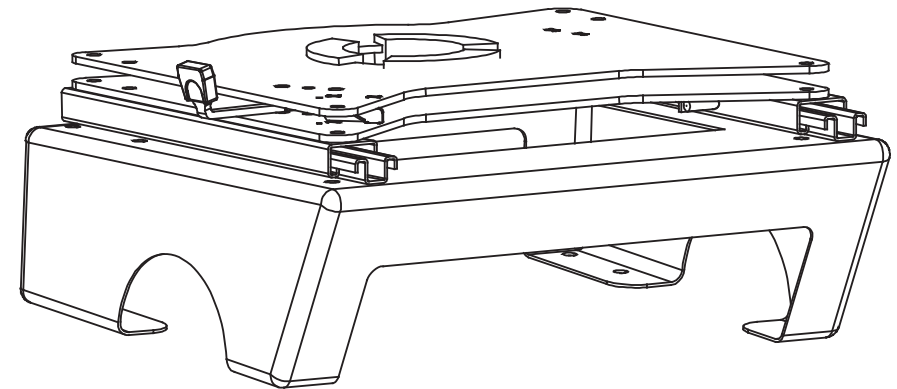
## RIB Seat Swivel Installation JUMPY / EXPERT / SCUDO G9 DRIVER & PASSENGER

Installation diagram for  
CBTO17D2  
**PASSENGER**



1	6 Nylstop nuts M8
2	6 Threaded bolts M8x20
3	Swivel base CBTO17D2
4	6 Countersunk hexagon bolts M8x20
5	Original G9 sliders
6	Original G9 seat base

Installation diagram for  
CBTO17G2  
**DRIVER**



This diagram shows a left hand drive seat. Right Hand drives are simply a mirror image.