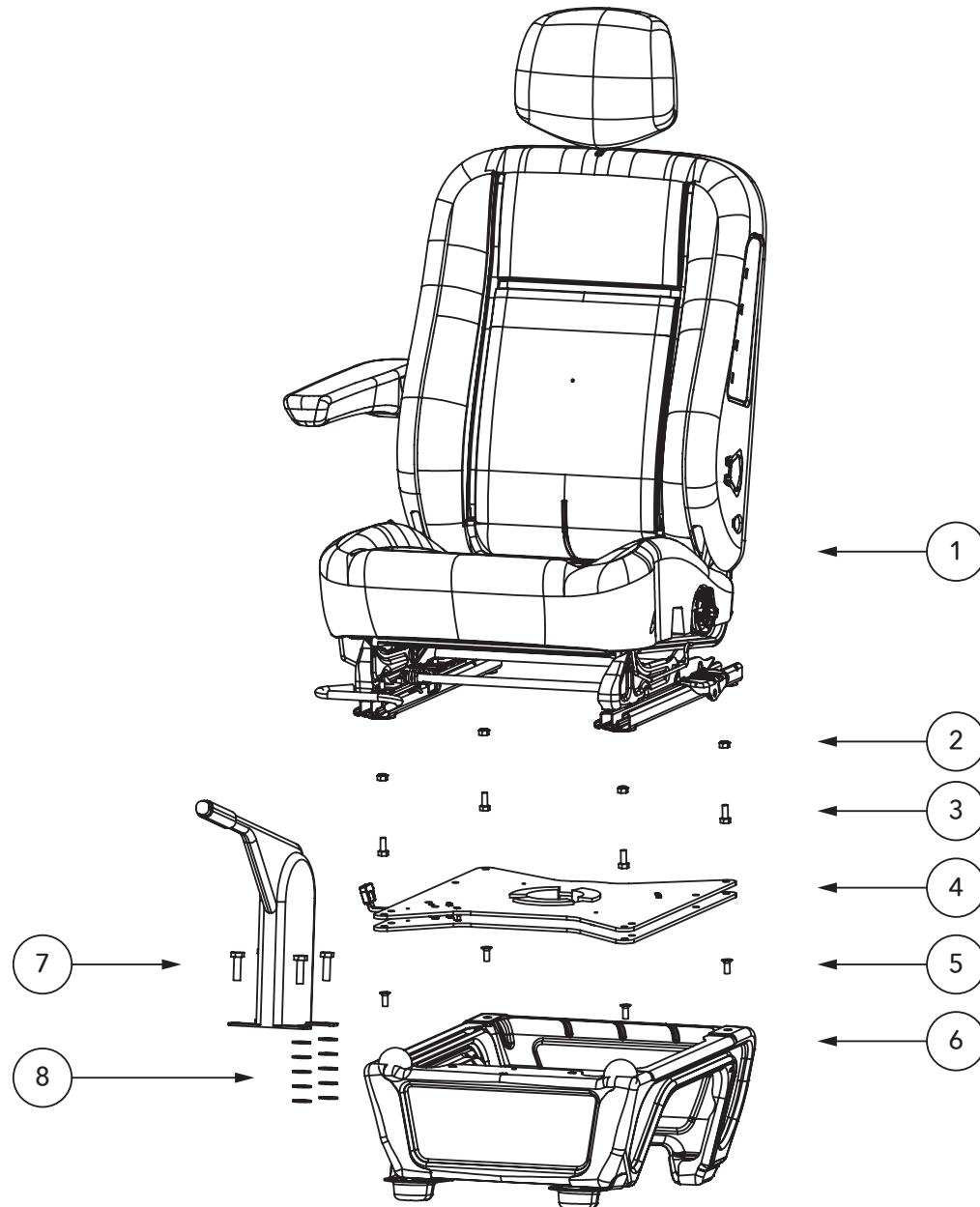


RIB Seat Swivel Installation MASTER X62 DRIVER & PASSENGER

Seat assembly
CBTO18G2C
DRIVER



1	Original Master X62 seat + sliders
2	4 Nylstop nuts M8
3	4 Threaded bolts M8x20
4	Swivel base - Driver CBTO18G2C
5	4 Countersunk hexagon bolts M8x20
6	Original seat base Master X62
7	2 Threaded bolts M10 + 2 Threaded bolts M10x35 original Master X62
8	5 + 5 washers M10 for under the left side of the handbrake (total 10mm) to tilt the handbrake to the right.

Seat assembly
CBTO18D2C
PASSENGER = Symmetrical mounting