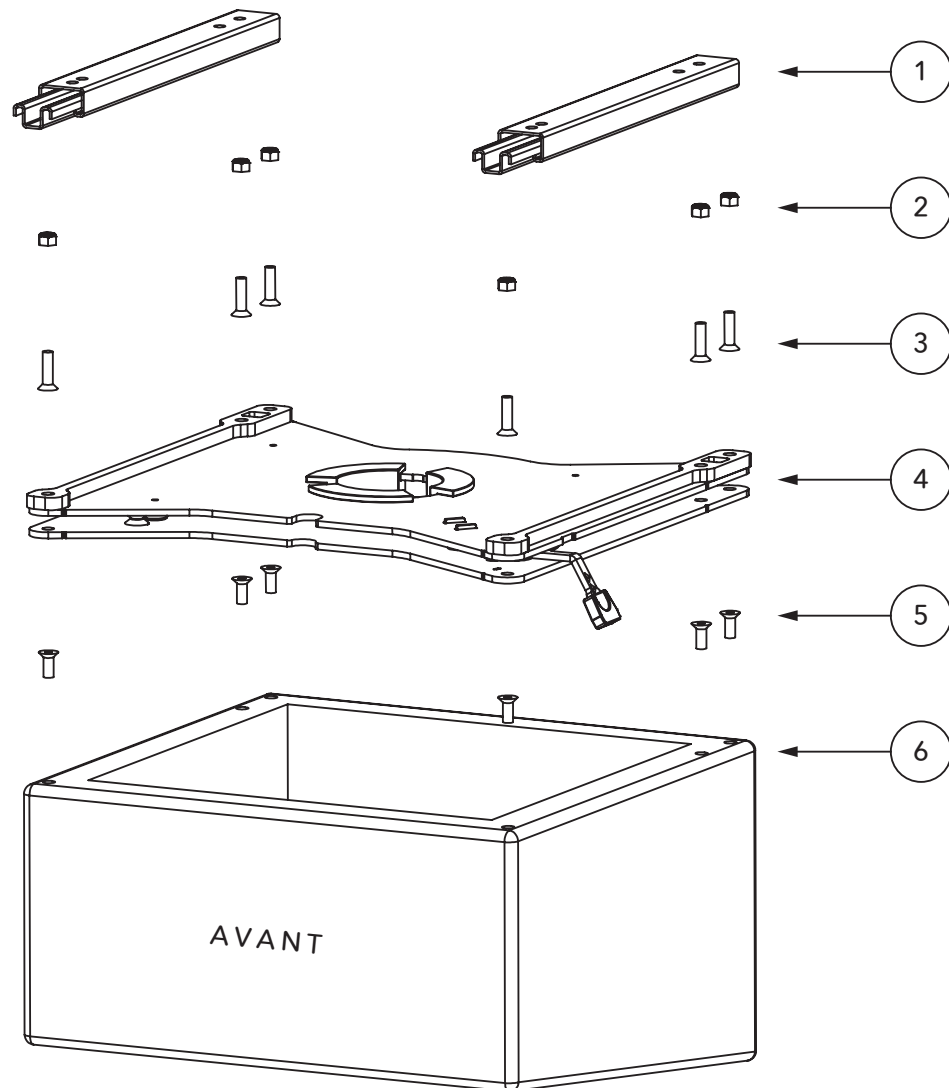




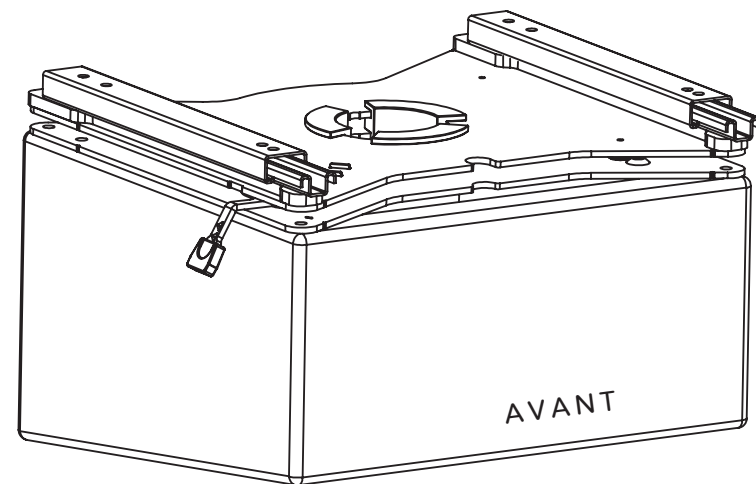
# RIB Seat Swivel Installation DUCATO / JUMPER / BOXER X-250 DRIVER & PASSENGER

Installation diagram for  
CBTO16D2  
**PASSENGER**



1	Original sliders
2	6 Nylstop nuts M8
3	6 Countersunk hexagon bolts M8x30 - 18 N.m
4	Swivel base CBTO16D2 + raising shims
5	6 Countersunk hexagon bolts M8x20 - 23 N.m
6	Original seat base

Installation diagram for CBTO16D2  
**DRIVER**



This diagram shows a left hand drive seat. Right Hand drives are simply a mirror image.