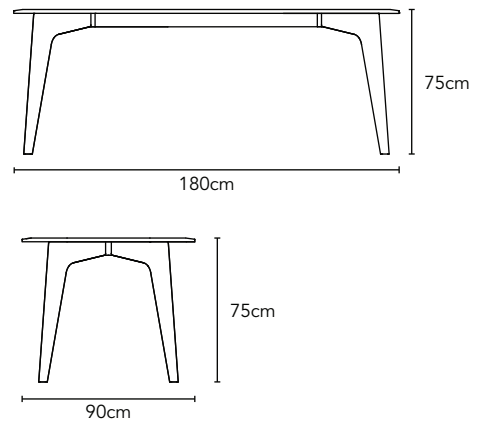


## Hilda Dining Table

Available in American Oak & Walnut



- Solid American Oak Timber Base
- Tempered Glass Top
- High Quality Materials & Construction
- Available in other sizes

IMAGE	DIMENSIONS	PRODUCT DESCRIPTION	CODE OAK	CODE WALNUT
	W160 x D90 x H75cm	Hilda Dining Table 160 x 90cm	OS1180	OS1183
	W180 x D90 x H75cm	Hilda Dining Table 180 x 90cm	OS1181	OS1184
	W200 x D90 x H75cm	Hilda Dining Table 200 x 90cm	OS1182	OS1185

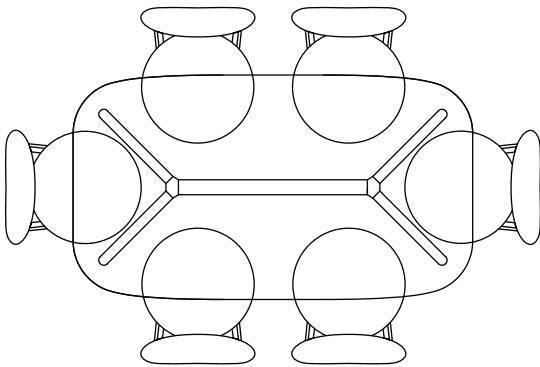
This table is a combination of tempered glass and solid wood. The glass is tempered, meaning it is strengthened (making it much stronger than regular glass) and will take a significantly greater impact for the glass to crack (compared to regular glass). Only under extreme impacts will the glass actually shatter. Absolutely no veneered MDF has been used on this product. All the wood is solid timber. This makes the product far stronger, heavier and of much higher quality. Solid Timber is relatively easy to repair should it get chipped or damaged unlike a veneered surface.

---

## Hilda Dining Table - Chair Placement Configuration

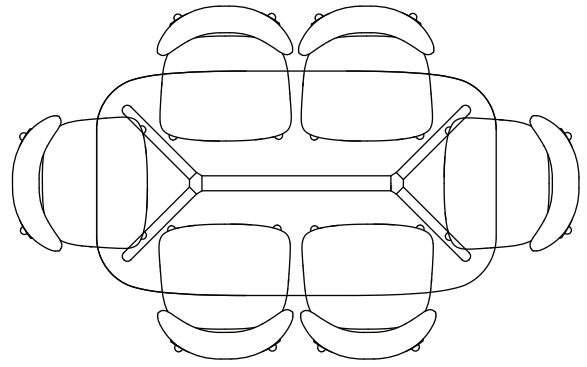
---

### HENRIK

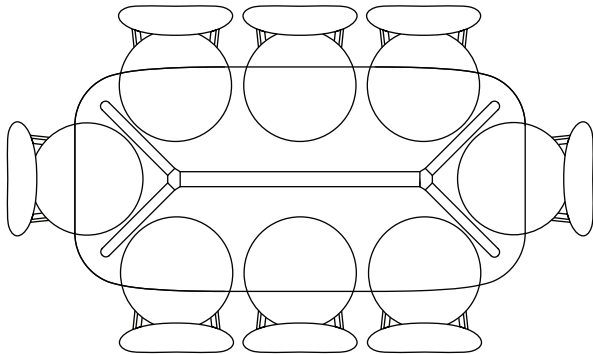


**Hilda 160 x 90**  
Comfortable x 6

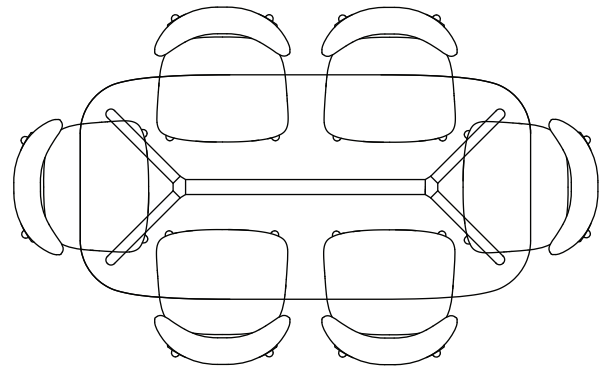
### ASTRID, NESTOR, STEFAN



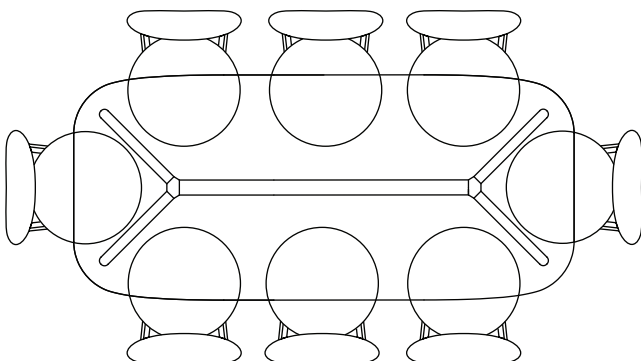
**Hilda 160 x 90**  
Cosy x 6



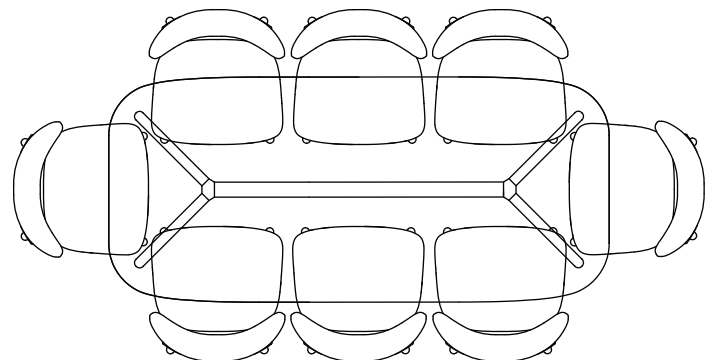
**Hilda 180 x 90**  
Comfortable x 6  
Cosy x 8



**Hilda 180 x 90**  
Comfortable x 6



**Hilda 200 x 90**  
Comfortable x 8



**Hilda 200 x 90**  
Cosy x 8