



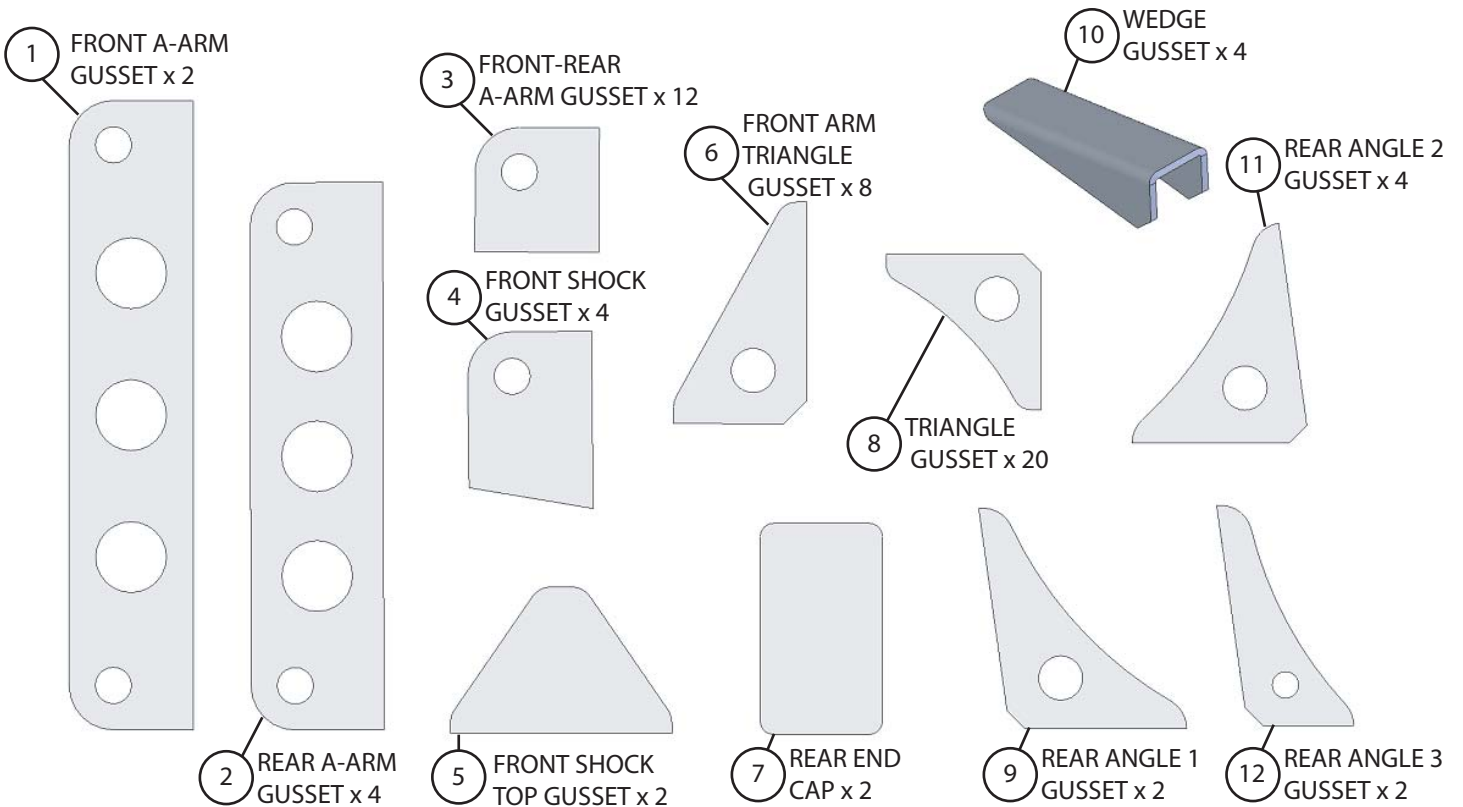
# RHINO CHASSIS GUSSET KIT

**TOOLS NEEDED:** 90 Deg. Air Grinder  
Sanding/Prep Disks  
Welder  
Vice Grips  
Misc Clamps for welding

Congratulations on purchasing your new Rhino Chassis Gusset Kit. This kit will require a good deal of fabricating and welding experience. For best results, we recommend you have a professional fabricator that has a high experience level of welding. The integrity of the chassis is at stake, and you don't want to ruin it. Listed below is all the parts that come with your new kit.

We also suggest the Rear Main Gusset Plate, the Front Main Gusset Plate, and the Front Spindle Gusset kit we offer. Contact your LSR sales rep for details.

**PARTS INCLUDED:** PLEASE NOTE: "x 3" means there are 3 of that part included



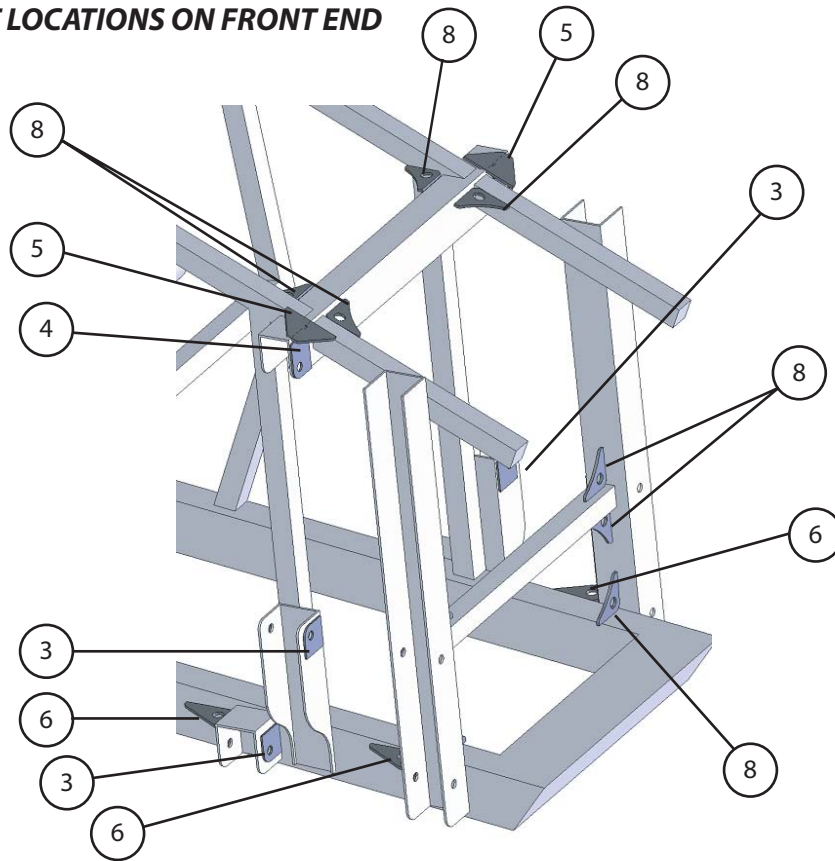
## CLEANING/ MAINTAINING:

We recommend that you paint or powder coat the finished chassis to resist corrosion to the newly welded areas.

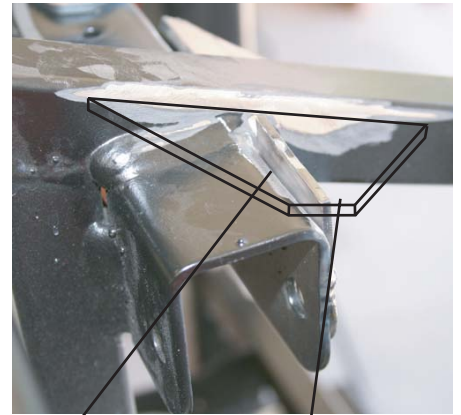


# RHINO CHASSIS GUSSET KIT

## GUSSET LOCATIONS ON FRONT END

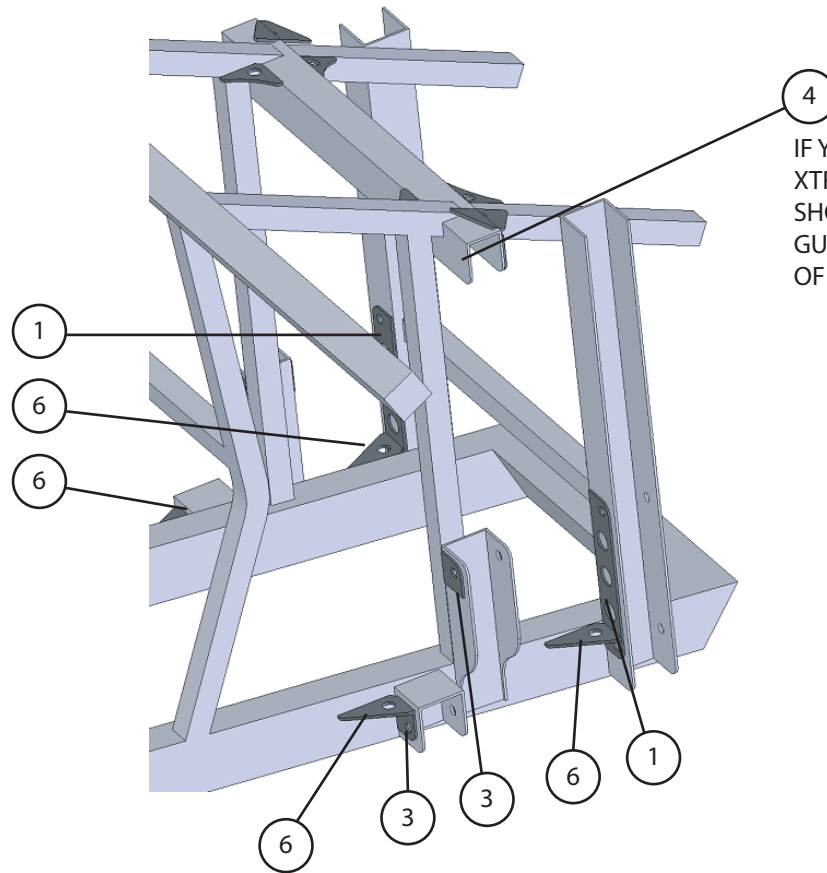


UPPER SHOCK MOUNT DETAILS:  
There will be a gap between  
gusset # 5 and the shock mount.  
Weld gusset #4 fully before adding  
gusset #5



Weld in area  
before installing  
gusset #5

Gusset #5 outline



IF YOU ARE USING THE  
XTR A-ARM KIT WITH FRONT  
SHOCK TOWER, LEAVE THESE  
GUSSETS OFF, ON THE BACK SIDE  
OF THE SHOCK MOUNT ONLY.



# RHINO CHASSIS GUSSET KIT

## GUSSET LOCATIONS ON REAR END

