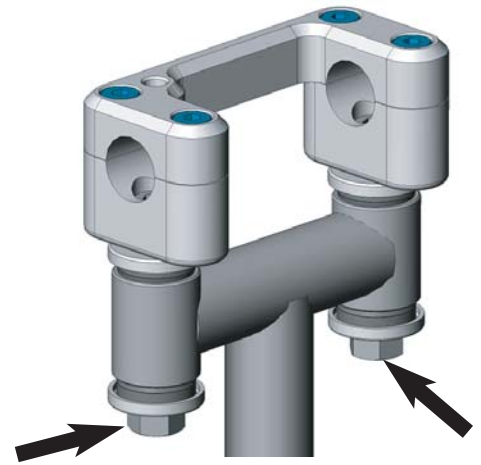




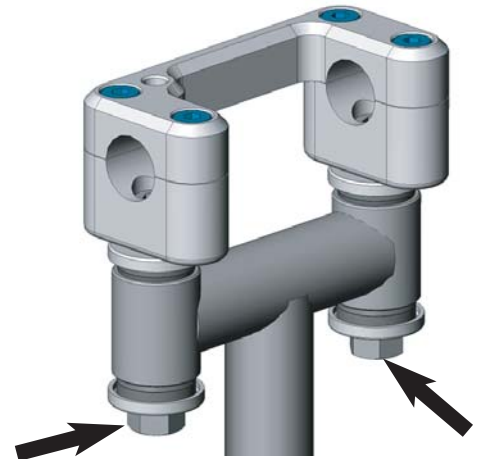
Congratulations on purchasing your new Handle Bar Clamp Kit. When installing the Clamp Kit into the Steering Stem, be sure to alternate when tightening the mounting nylon lock nuts, and tighten them to 13-15 ft-lbs of torque. If you tighten the bolts too much, damage to the inner pinch tubes will result.

**LONE STAR RACING - 744 W. CRESCENT AVE. MESA, AZ 85210**  
**1-800-4LS-RACE WWW.LSRACING.COM**



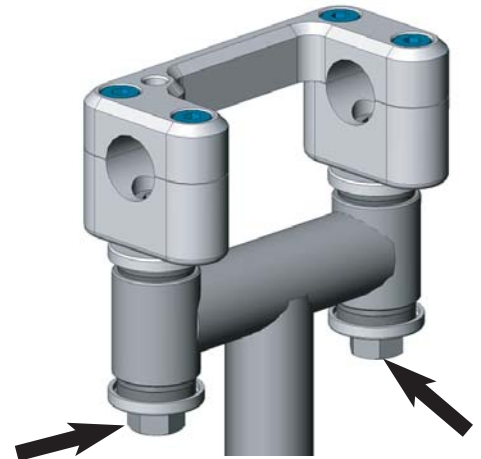
Congratulations on purchasing your new Handle Bar Clamp Kit. When installing the Clamp Kit into the Steering Stem, be sure to alternate when tightening the mounting nylon lock nuts, and tighten them to 13-15 ft-lbs of torque. If you tighten the bolts too much, damage to the inner pinch tubes will result.

**LONE STAR RACING - 744 W. CRESCENT AVE. MESA, AZ 85210**  
**1-800-4LS-RACE WWW.LSRACING.COM**



Congratulations on purchasing your new Handle Bar Clamp Kit. When installing the Clamp Kit into the Steering Stem, be sure to alternate when tightening the mounting nylon lock nuts, and tighten them to 13-15 ft-lbs of torque. If you tighten the bolts too much, damage to the inner pinch tubes will result.

**LONE STAR RACING - 744 W. CRESCENT AVE. MESA, AZ 85210**  
**1-800-4LS-RACE WWW.LSRACING.COM**



Congratulations on purchasing your new Handle Bar Clamp Kit. When installing the Clamp Kit into the Steering Stem, be sure to alternate when tightening the mounting nylon lock nuts, and tighten them to 13-15 ft-lbs of torque. If you tighten the bolts too much, damage to the inner pinch tubes will result.

**LONE STAR RACING - 744 W. CRESCENT AVE. MESA, AZ 85210**  
**1-800-4LS-RACE WWW.LSRACING.COM**

