

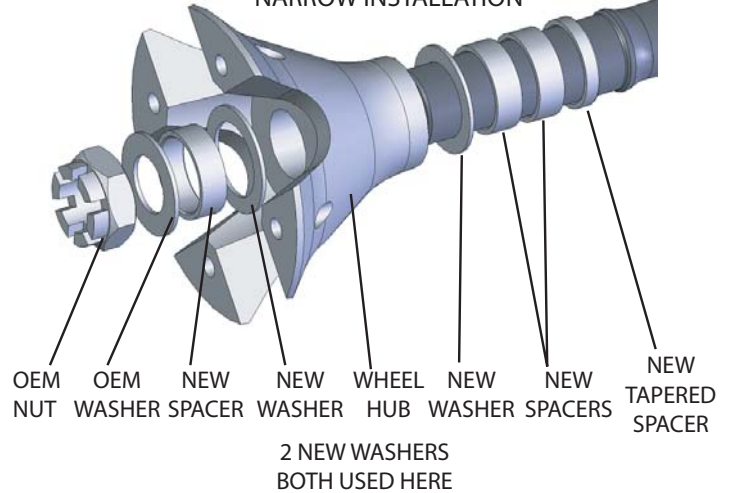
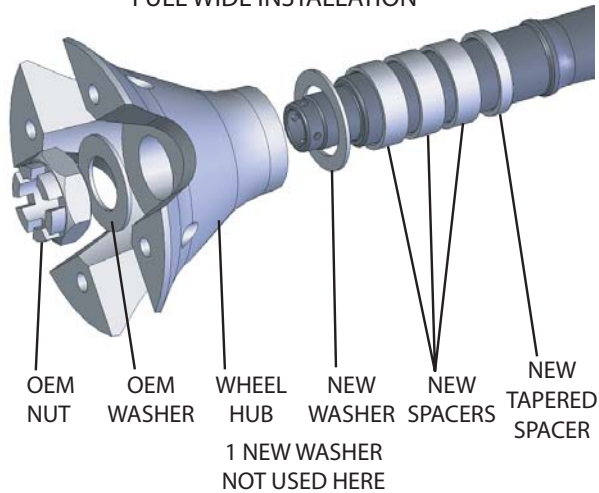


Congratulations on purchasing your Axcalibur Racing Axle for the CAN-AM DS450. The wheel hub assembly area is a little different than the OEM set up. This axle is adjustable to +1 wider to +4 inches wider total. See the pictures for location of parts. You will have to reuse your stock wheel hub nuts, and washers. All other components are to be installed just like OEM (ie. brake hub etc).

**YOU ALWAYS WANT A LARGE WASHER TO BE TOUCHING BOTH SURFACES OF THE WHEEL HUBS IN ALL SITUATIONS**

FULL WIDE INSTALLATION

NARROW INSTALLATION



**LONE STAR RACING - 744 W. CRESCENT AVE. MESA, AZ 85210**  
**1-800-4LS-RACE WWW.LSRACING.COM**

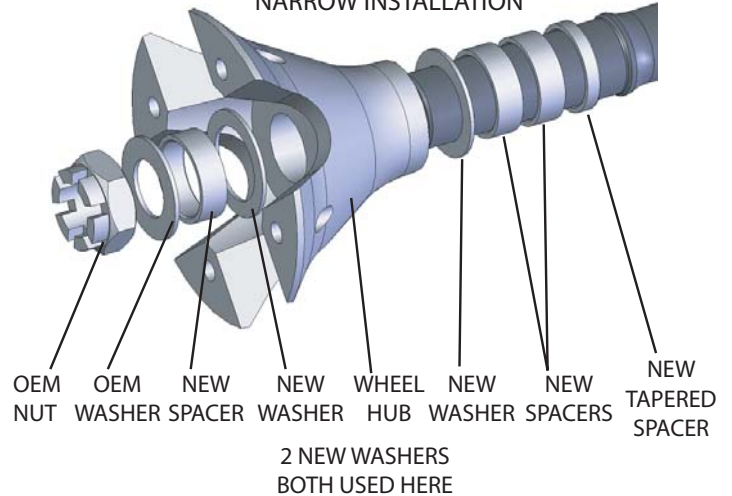
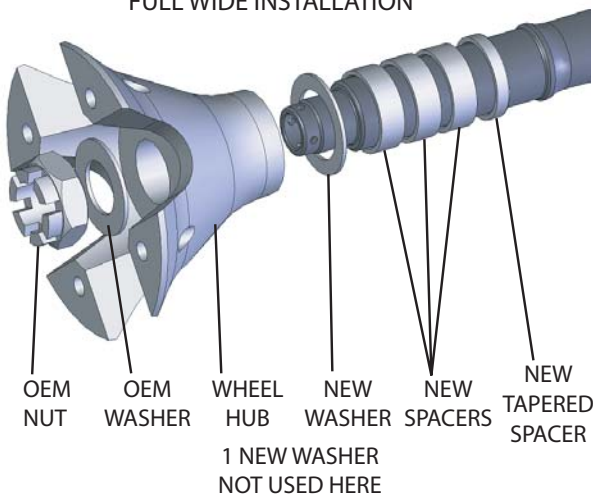


Congratulations on purchasing your Axcalibur Racing Axle for the CAN-AM DS450. The wheel hub assembly area is a little different than the OEM set up. This axle is adjustable to +1 wider to +4 inches wider total. See the pictures for location of parts. You will have to reuse your stock wheel hub nuts, and washers. All other components are to be installed just like OEM (ie. brake hub etc).

**YOU ALWAYS WANT A LARGE WASHER TO BE TOUCHING BOTH SURFACES OF THE WHEEL HUBS IN ALL SITUATIONS**

FULL WIDE INSTALLATION

NARROW INSTALLATION



**LONE STAR RACING - 744 W. CRESCENT AVE. MESA, AZ 85210**  
**1-800-4LS-RACE WWW.LSRACING.COM**