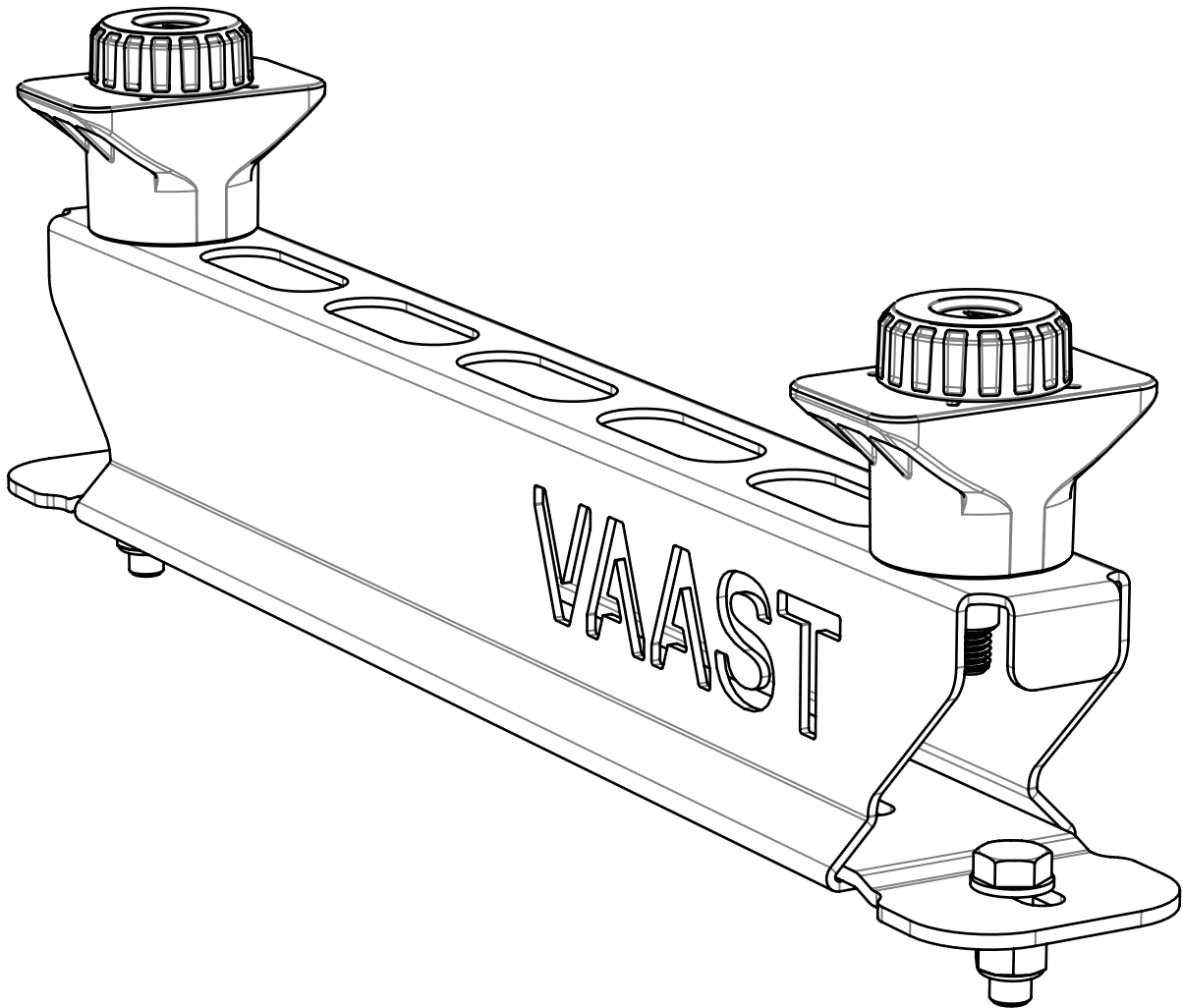


# VAAST

## Surface Mount Bracket



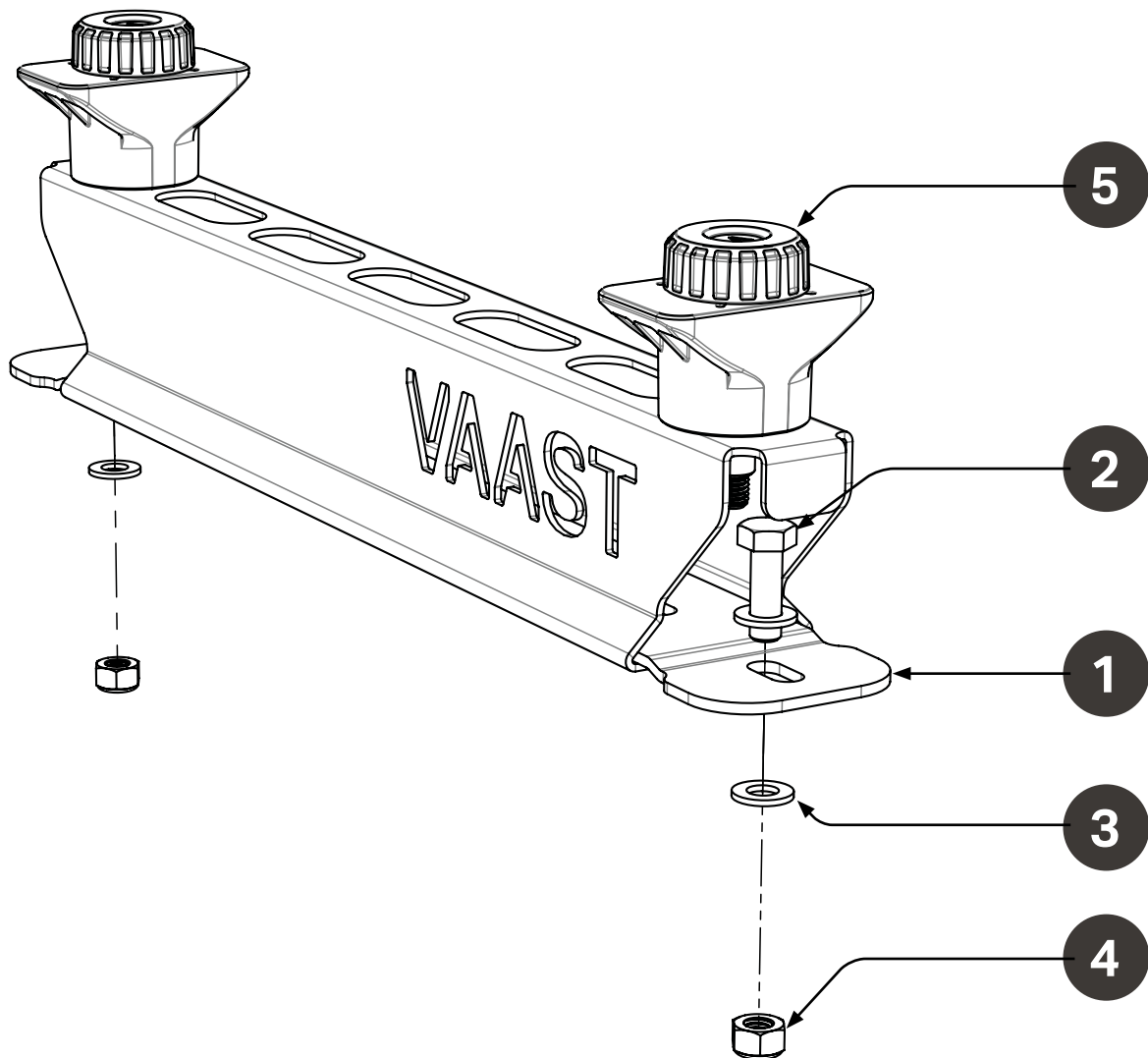
### IMPORTANT !

Please note that all VAAST mounting brackets must be installed on your vehicle by a competent installer. If you are concerned about any of the steps in this guide please contact a professional automotive installer to complete the installation.

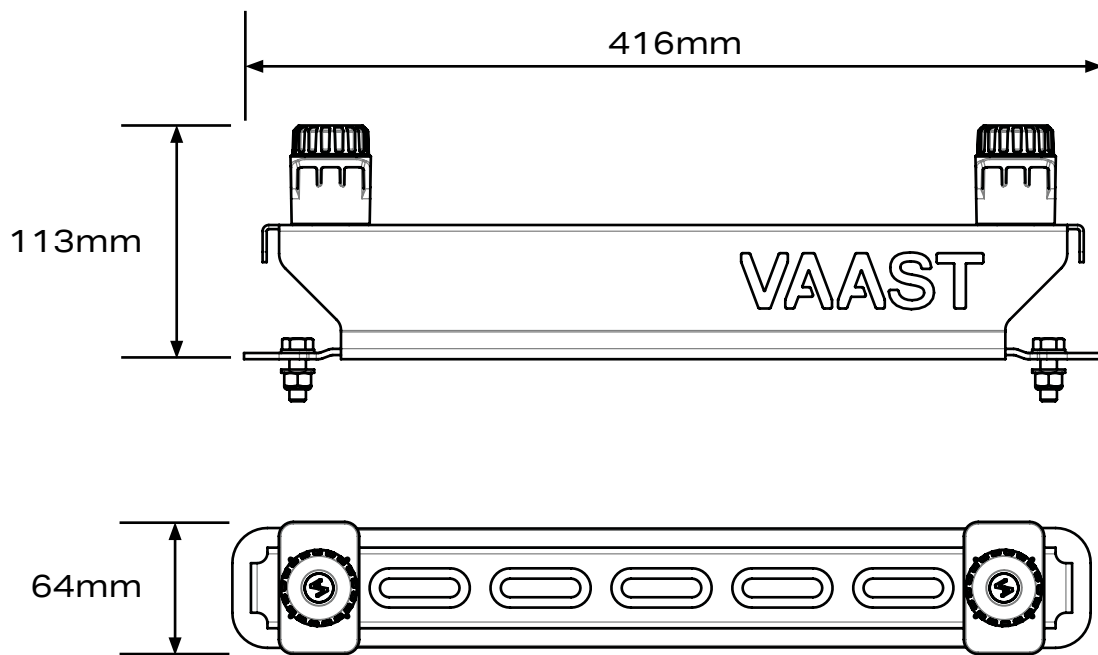
Please perform periodic checks of the installation for correct adjustment, wear or damage and rectify immediately to avoid an incident. Incorrect or incomplete installation could result in property damage, personal injury or death. Please take this warning seriously and enjoy the long term safe operation of your VAAST product.

## INCLUDED ITEMS

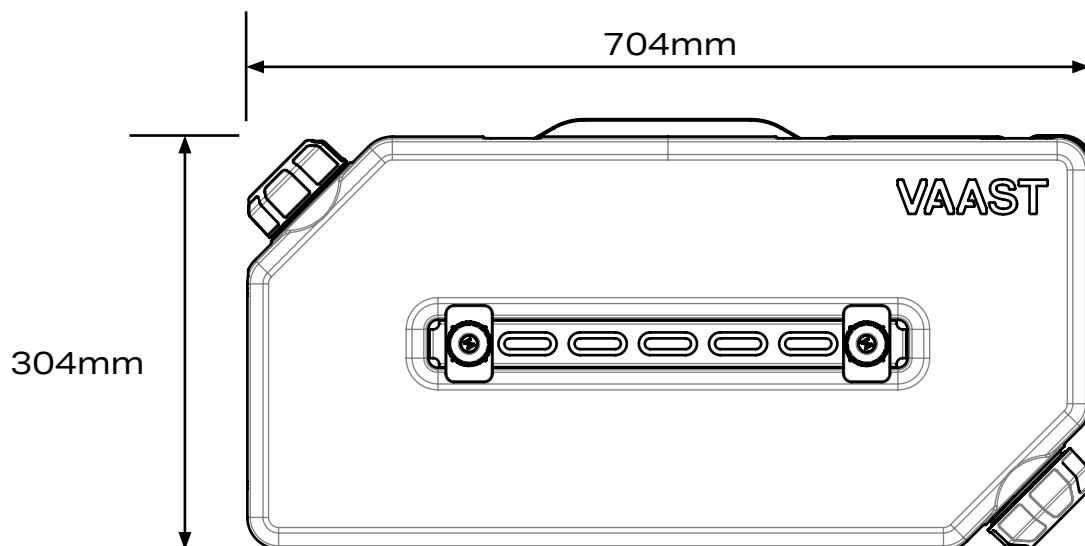
#	DESCRIPTION	QTY
1	VAAST Surface Mount Bracket	1
2	Hex Machine Screw SS304-M8x25mm	2
3	Flat Washer SS304-M8	4
4	Nyloc Nut SS304-M8	2
5	VST01-A007 Wing Clamp Mounts	2



## BRACKET DIMENSIONS

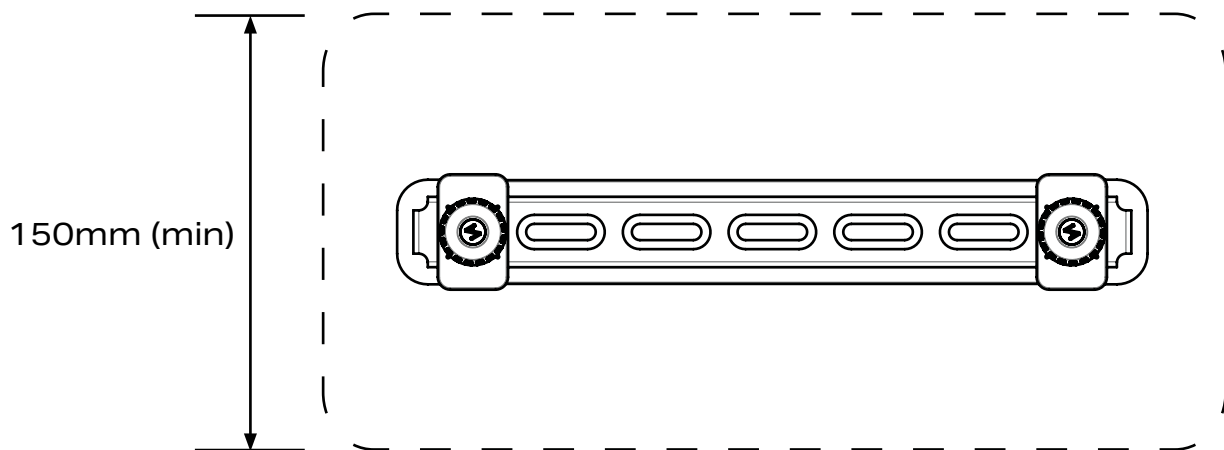


## MOUNTED TANK DIMENSIONS



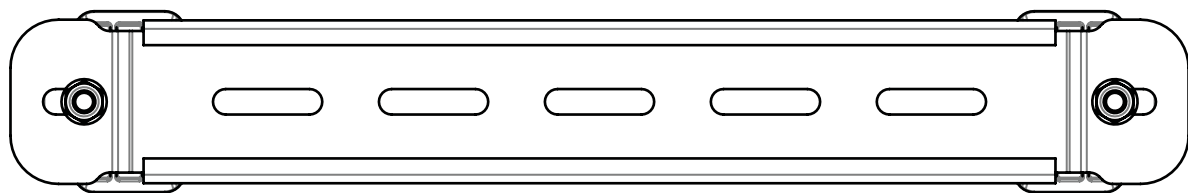
## MOUNTING LOCATION

When mounting the VAAST Surface Mounting Bracket it is best to locate the mount with at least 50% of the tank area supported. This will prevent excessive rocking and vibration while driving.



## SECURING SCREWS

The preferred method for securing the bracket is to keep the mounting screws at both ends of the bracket as shown. Always use two mounting screws that are central to the bracket and a minimum of 140mm apart. When traveling without the VAAST Tank in place be sure to fasten the Wing Clamp Mounts securely to the bracket. Alternative mounting points are available at 60mm hole centres.



Be sure to check all the tank accessories and additional brackets available at [vaast-explore.com.au](http://vaast-explore.com.au)