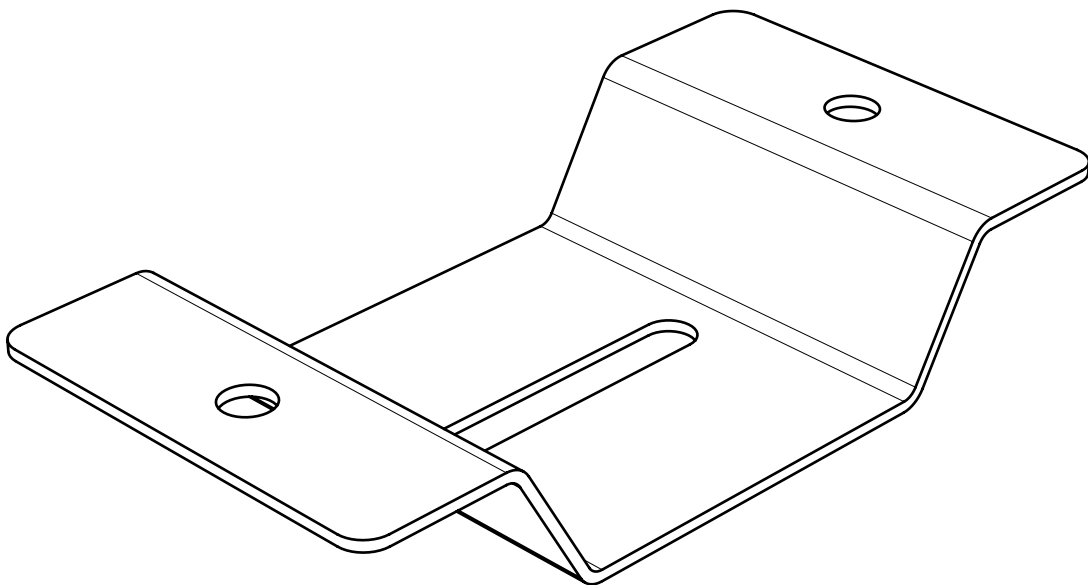




Adapter Bracket



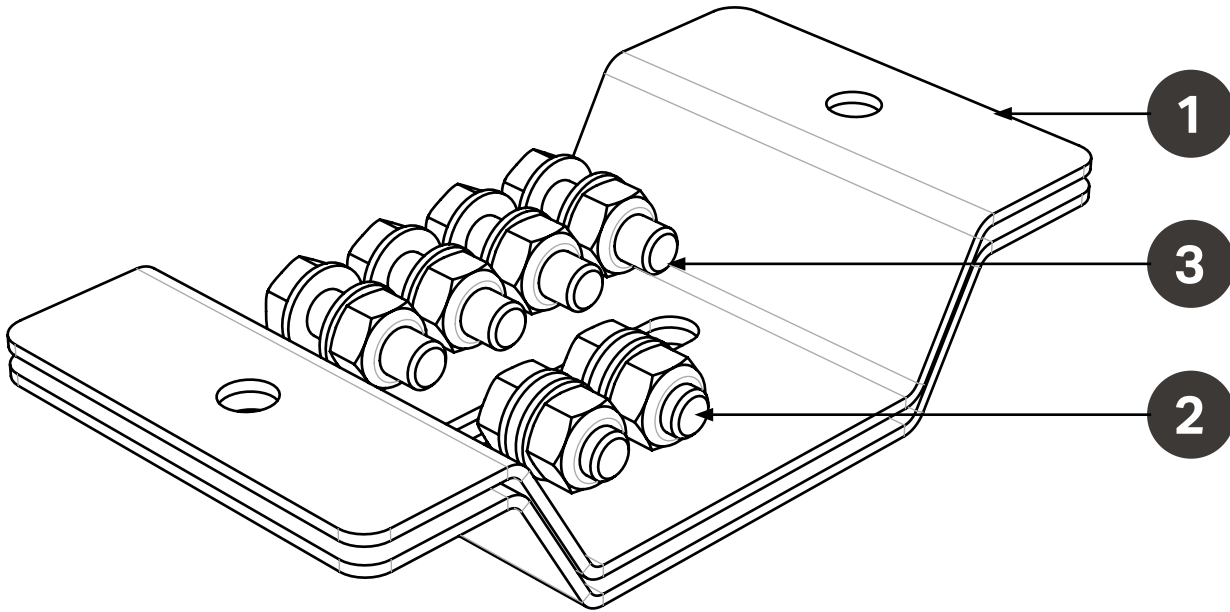
IMPORTANT !

Please note that all VAAST mounting brackets must be installed on your vehicle by a competent installer. If you are concerned about any of the steps in this guide please contact a professional automotive installer to complete the installation.

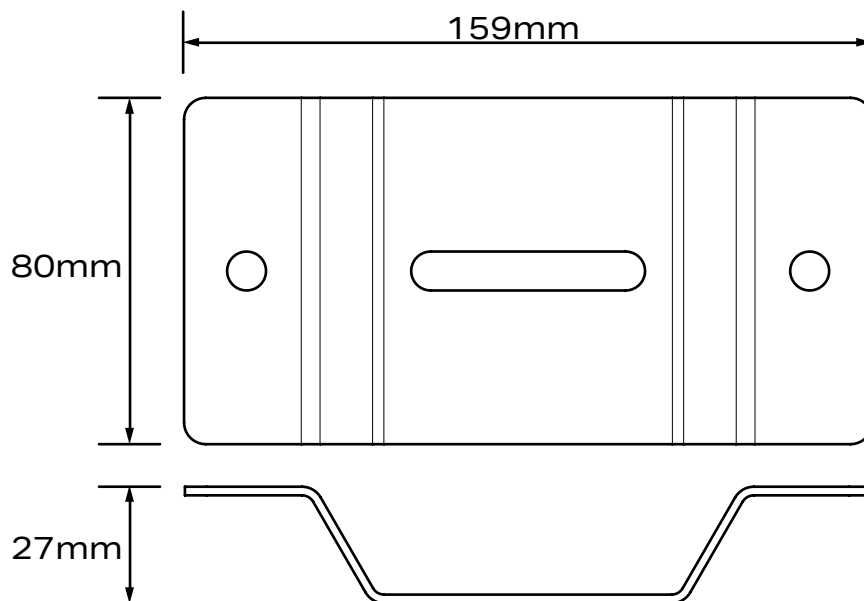
Please perform periodic checks of the installation for correct adjustment, wear or damage and rectify immediately to avoid an incident. Incorrect or incomplete installation could result in property damage, personal injury or death. Please take this warning seriously and enjoy the long term safe operation of your VAAST product.

INCLUDED ITEMS

#	DESCRIPTION	QTY
1	Bracket Adapter SS304 - PC Black	2
2	Hex Machine Screw SS304-M8x16mm	2
3	Hex Machine Screw SS304-M8x25mm	4
4	Nut Nyloc SS304 - M8	6
5	Flat Washer SS304-M8	6



DIMENSIONS

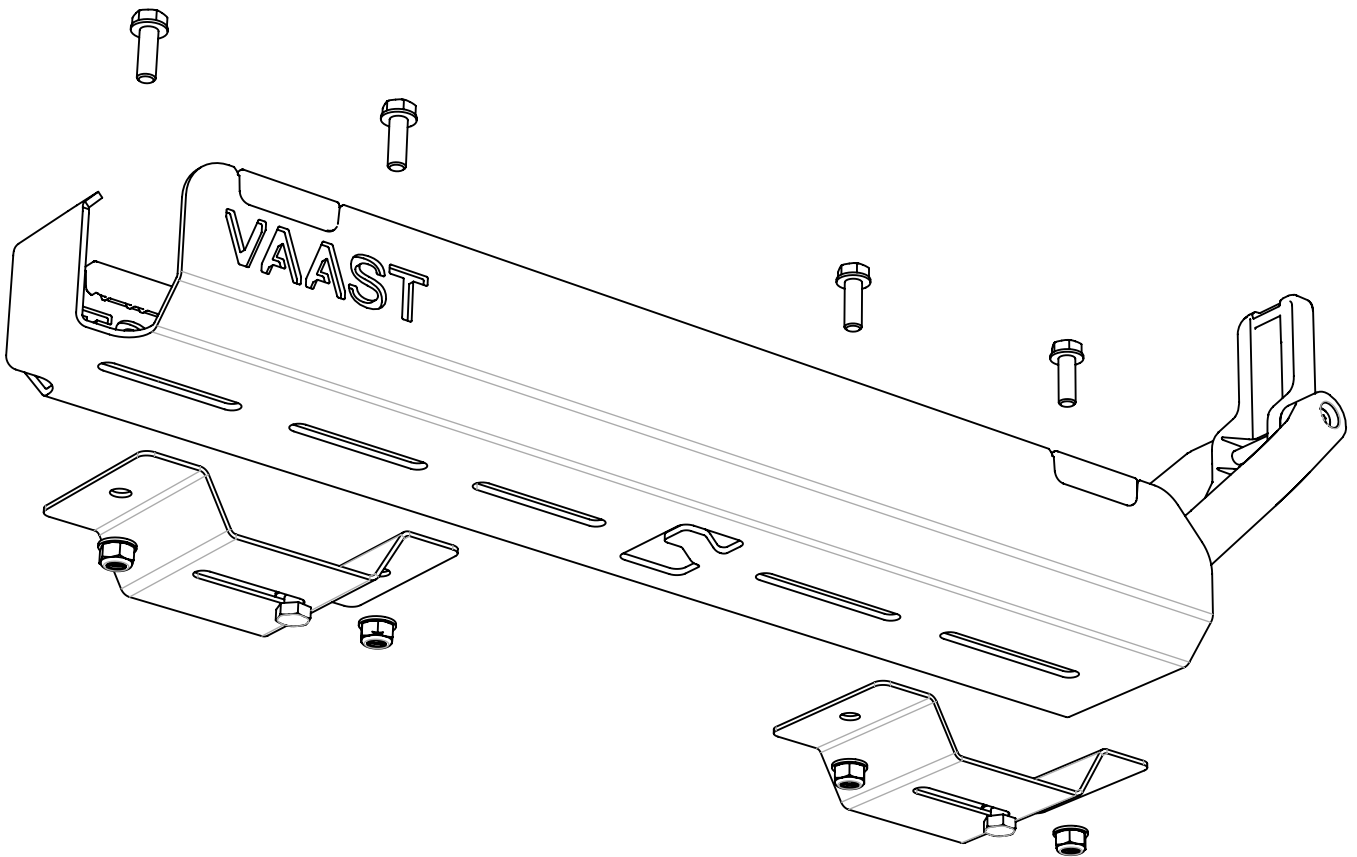


MOUNTING LOCATION

The VAAST Adapter Brackets have been designed to allow the fitment of the VAAST Vertical Bracket onto some different platform racks, for example, it allows the Tap Outlet to clear the raised edge on a Front Runner Platform rack. It also works as a mounting clamp for mesh and bar platforms like the classic ARB rack. Note that the adapter bracket is not required for mounting to flat T-Channel racks such as Rhino and Rola platform racks.

When mounting ensure the screw heads are on the top of the bracket so the tank clears the screws when loading.

The shorter screws are used when mounting to the Front Runner rack and should be located first before mounting the bracket. We recommend keeping the nuts loose while fitting the Vertical Bracket so it's free to adjust and align the brackets to your desired position, then tighten all nuts.



Be sure to check all the tank accessories and additional brackets available at vaast-explore.com.au