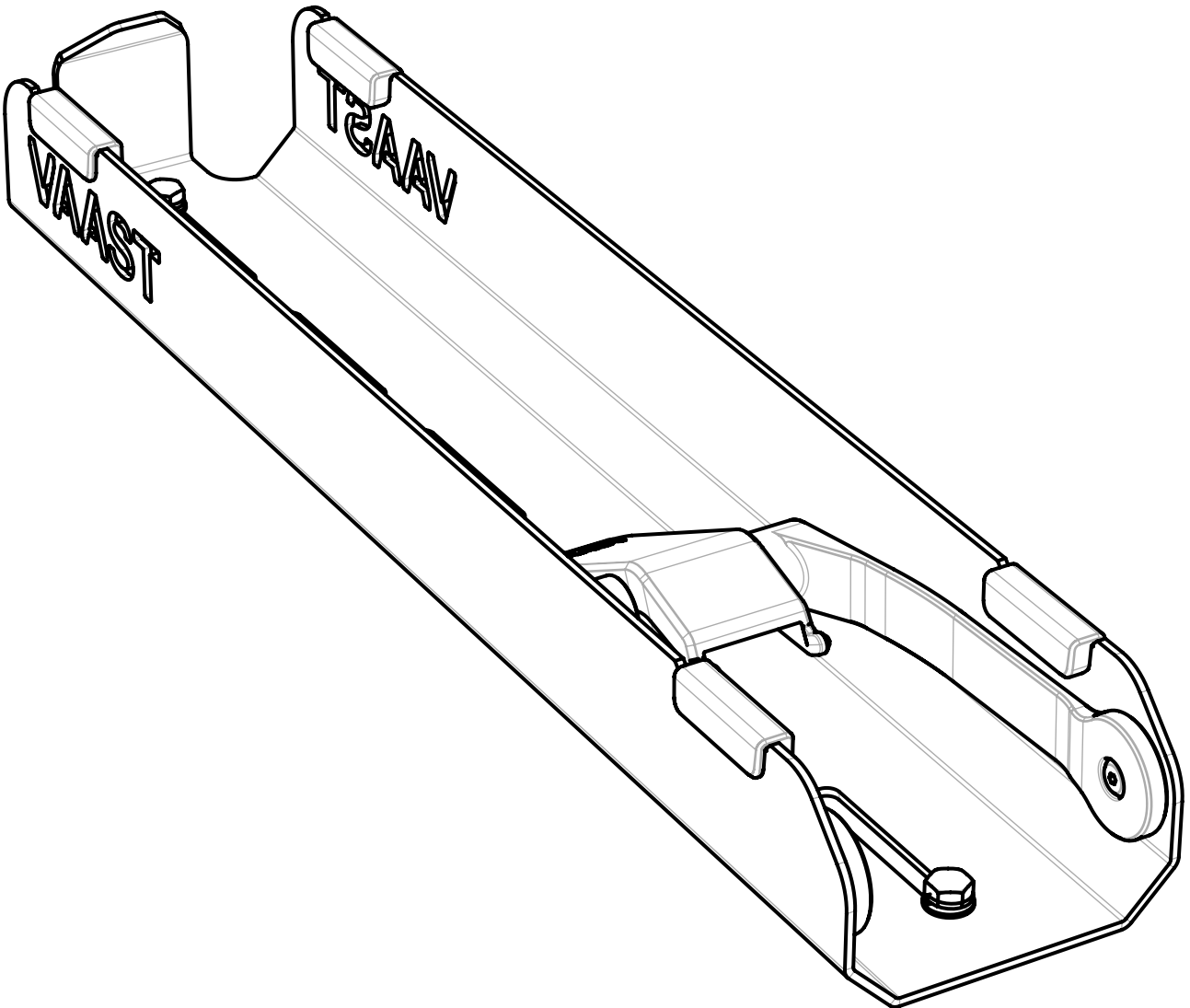


VAAST

Vertical Tank Bracket



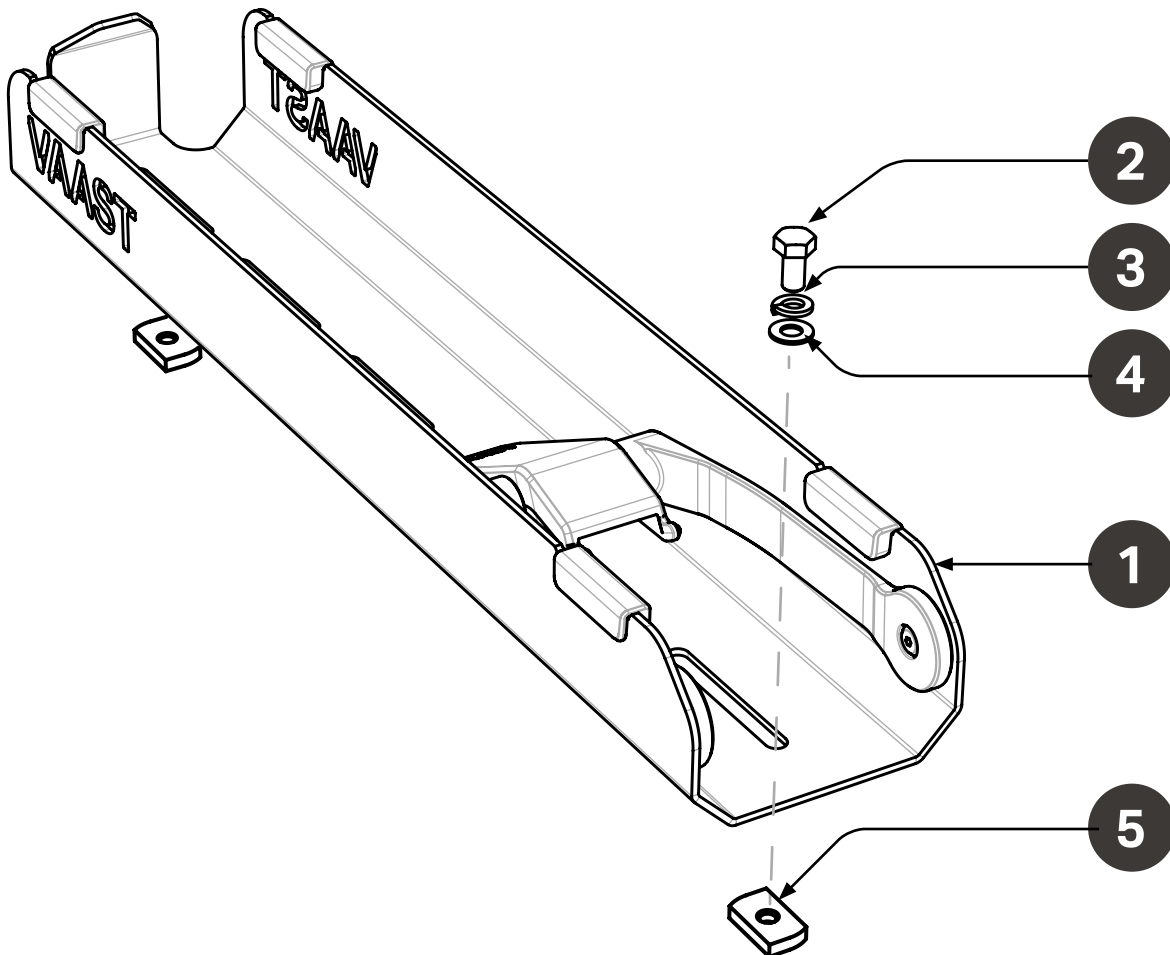
IMPORTANT !

Please note that all VAAST mounting brackets must be installed on your vehicle by a competent installer. If you are concerned about any of the steps in this guide please contact a professional automotive installer to complete the installation.

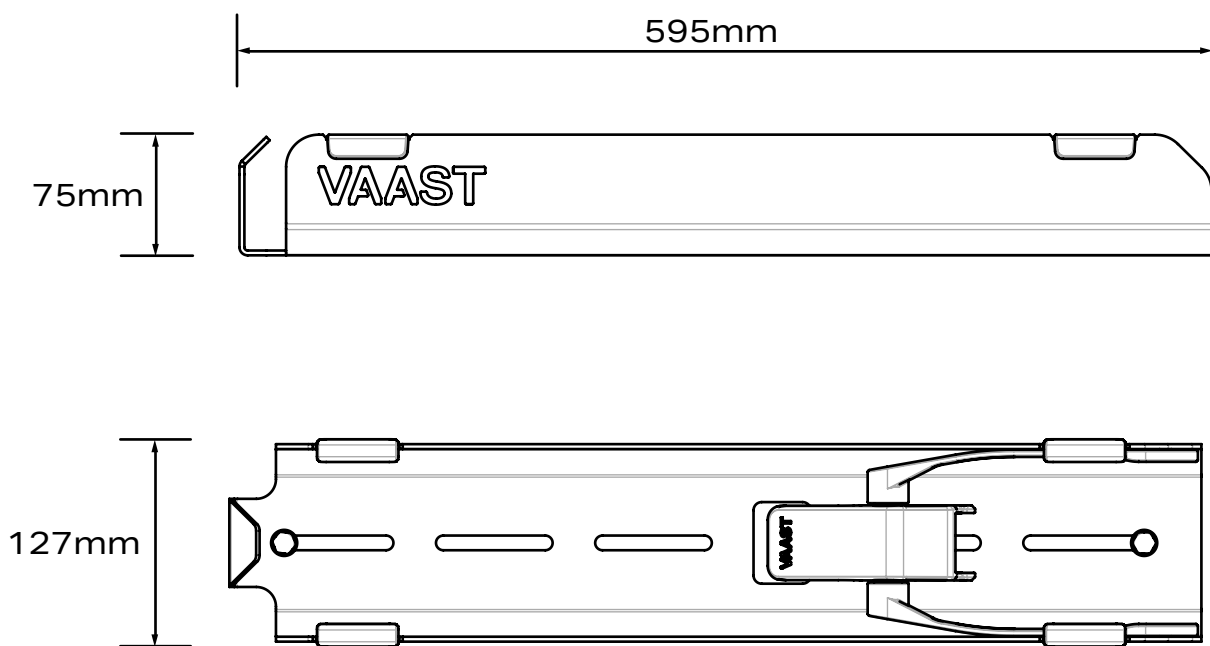
Please perform periodic checks of the installation for correct adjustment, wear or damage and rectify immediately to avoid an incident. Incorrect or incomplete installation could result in property damage, personal injury or death. Please take this warning seriously and enjoy the long term safe operation of your VAAST product.

INCLUDED ITEMS

#	DESCRIPTION	QTY
1	VAAST Vertical Mounting Bracket	1
2	Hex Machine Screw SS304-M8x16mm	2
3	Spring Washer SS304-M8	2
4	Flat Washer SS304-M8	2
5	Channel Nut SS304-M8	2



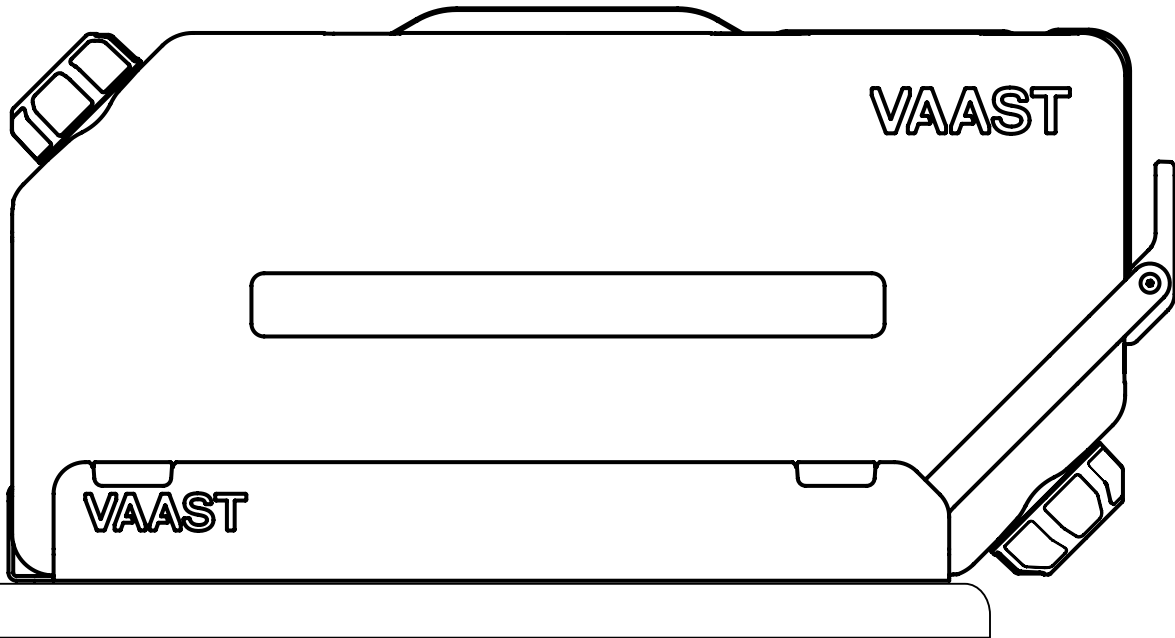
DIMENSIONS



MOUNTING LOCATION

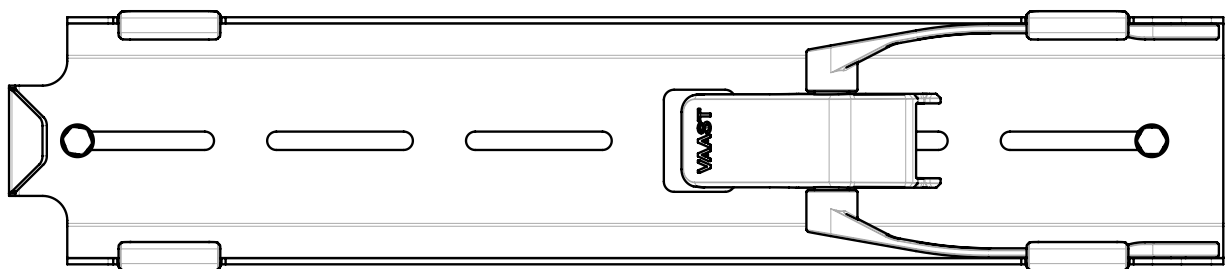
When mounting the VAAST Vertical Mounting Bracket its best to locate the securing latch close to the edge of the rack so the Tap Cap is easily accessible, as shown below.

The bracket is designed to mount to standard platform racks like Rhino Rack. If you are using the Front Runner platform rack with a raised edge, cross bar racks or mesh racks we suggest using the VAAST Adapter Brackets (VST01-A006).



SECURING SCREWS

The preferred method for securing the bracket is to keep the mounting screws at both ends of the bracket as shown. When traveling without the VAAST Tank in place be sure to hook the securing latch over the folded tab in the bracket, this will stop the latch from vibrating while driving.



Be sure to check all the tank accessories and additional brackets available at vaast-explore.com.au