

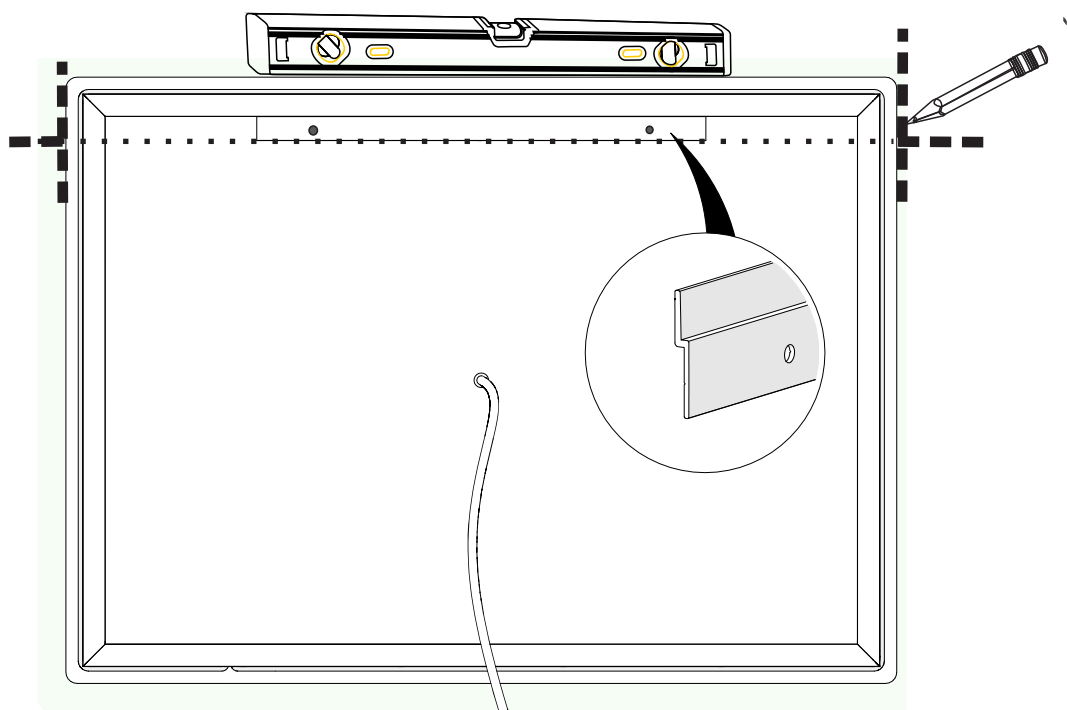
Mirror Installation Instructions



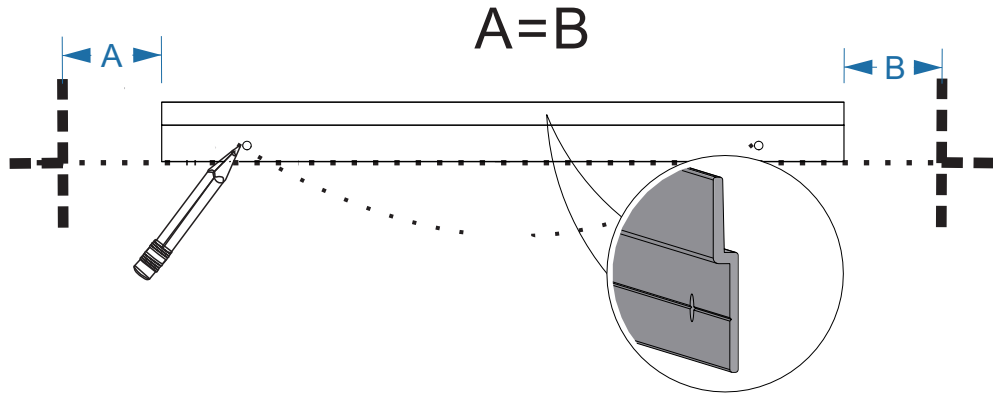
WARNING

- ▲ Prior to commencing the installation, please ensure you carefully read and follow the provided instructions.
- ▲ To avoid the risk of electric shock, switch off the power before initiating the installation.
- ▲ It is highly recommended enlisting the services of a qualified electrical professional to perform this installation.
- ▲ It is recommended to wear safety glasses at all times during installation.
- ▲ At least two people are required for this installation.
- ▲ This product is exclusively designed for wall mounting.
- ▲ This product is compatible with dimmers.

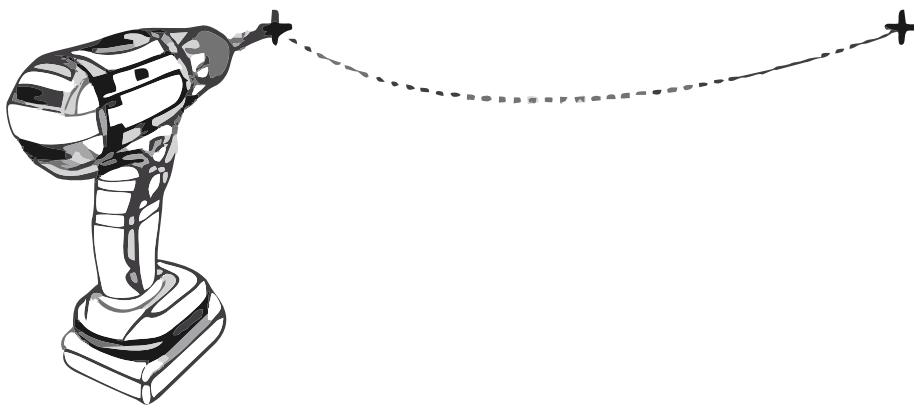
1. Align and level the mirror as indicated in the provided diagram.



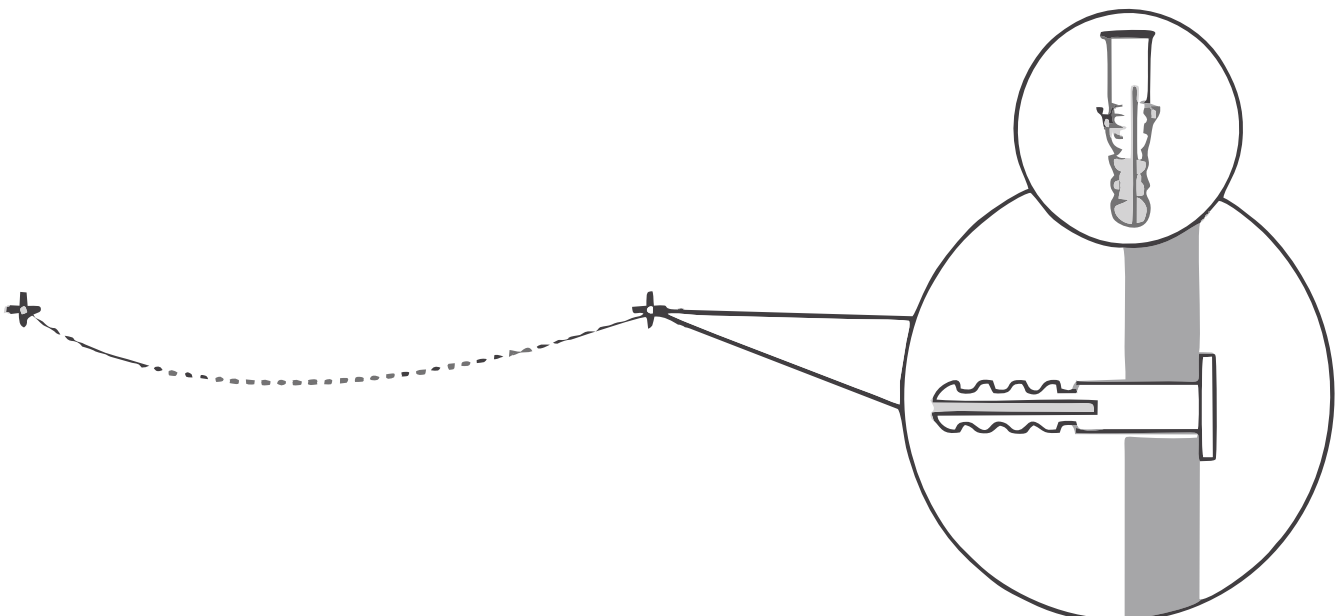
2. Position the aluminum hanging piece precisely over the marked location. Mark these two holes accordingly to ensure accurate alignment and secure installation.



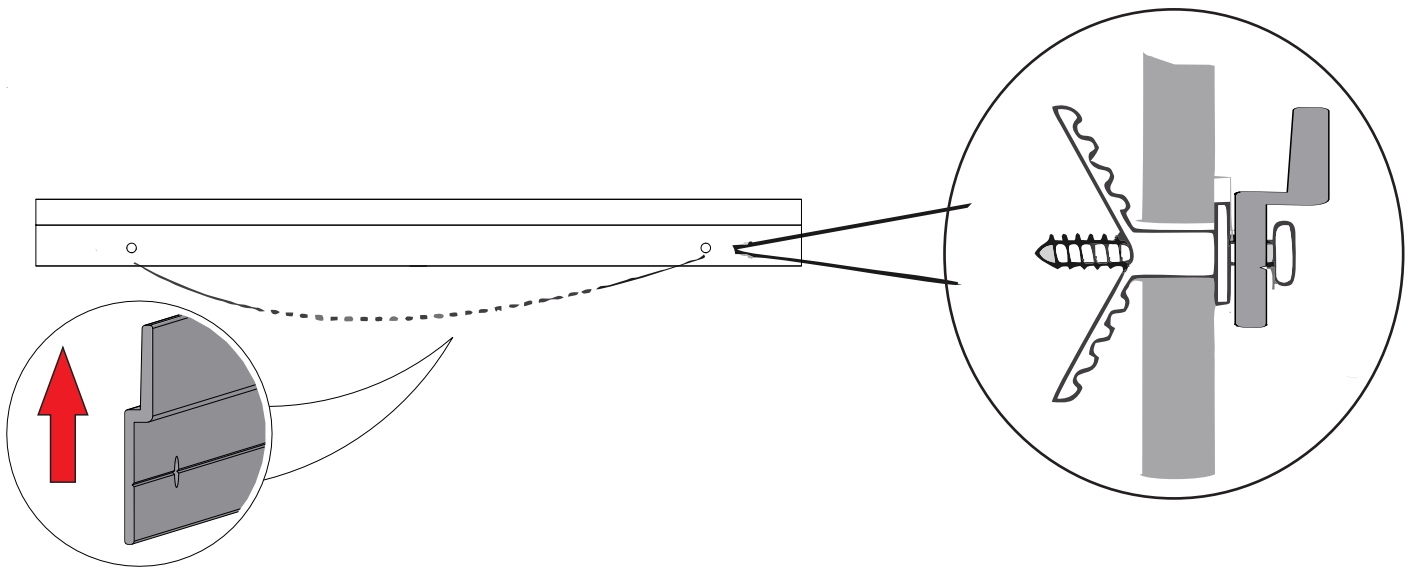
3. Drill holes with 6mm drill bit.



4. Insert the plastic hose into the hole.

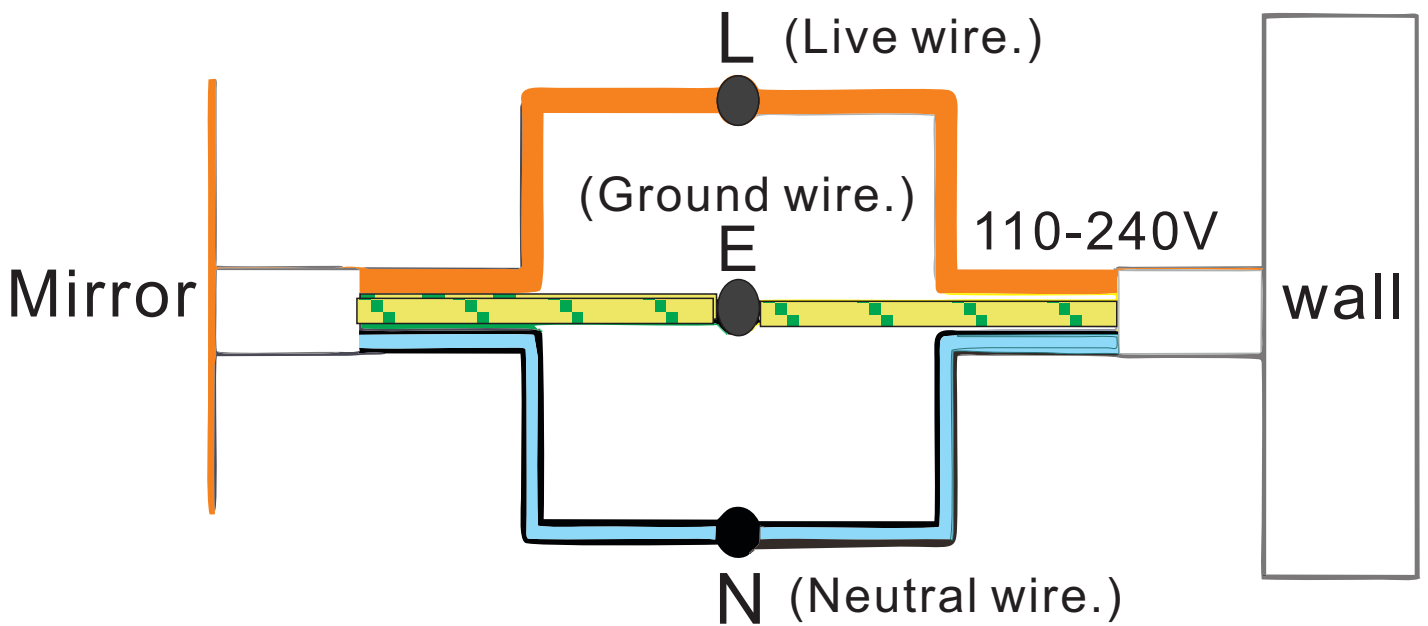


5. Screw the aluminum hanging piece on the wall according to the images below.

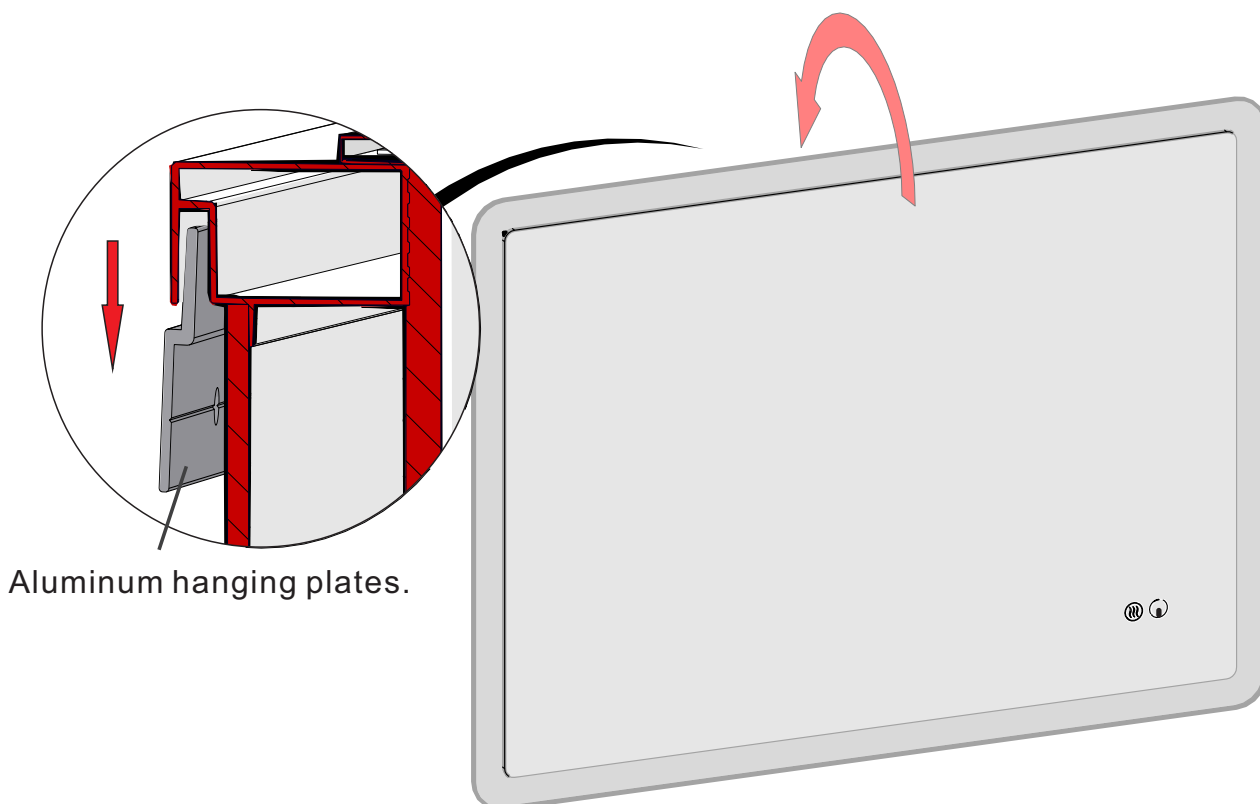


WARNING

6. Connect the wires in accordance with the labels indicated on the wires.



7. Position the mirror against the wall and hang it by gently pushing it downwards, as shown in the images.



Method of applications

1. Basic model



Short press (< 1 second) to turn on/off anti-fog function.



Short press (< 1 second) to turn on/off, cycle in turns. In the LED state, long press this key for dimming, LED brightness changes from 100% to 5%. Release and long press, LED brightness changes from 5% to 100%, and cycle in turns.

2.Clock model



Time setting :

- Press and hold the button to enter time setting: Press and hold for 3 seconds, the digits on the left will start blinking simultaneously. Short press this button to adjust the hour (24 hours), one short press for adding one hour.



- After setting the hour, (in the state of blinking the hour number) press and hold for 3 seconds, the hour digit stops blinking and turns to the right-side minute digit blinking at the same time.

Press this button to adjust the minutes. Each press adds one minute to the time. To exit the time setting, hold the button for 3 seconds (or simply refrain from any button operation for 5 seconds). Once you exit the time setting state, the digits will stop blinking, and the clock will run normally with the newly set time.

