

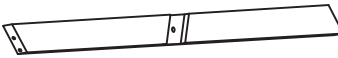

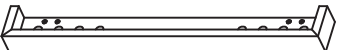

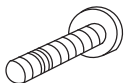
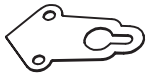

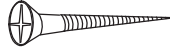


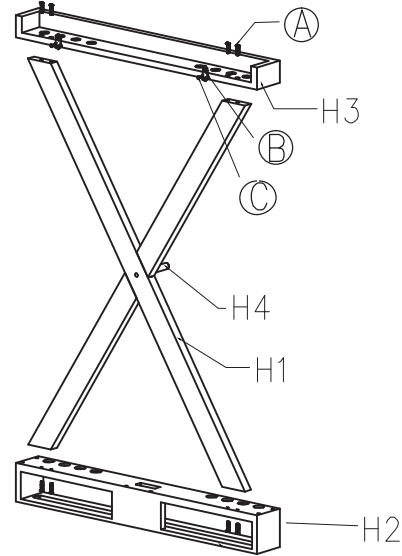
PLAYCRAFT

Playcraft Hardwood 8 Cue Billiard X Wall Rack  
SKU: ACWR8B

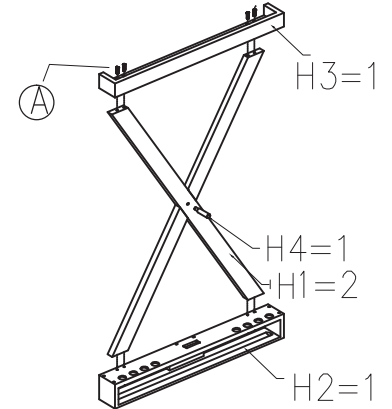
PARTS LIST

ASSEMBLY INSTRUCTIONS

H1		<b>X - Frame</b>	2PCS
H2		<b>Base</b>	1PC
H3		<b>Top</b>	1PC
H4		<b>WOODEN DOWEL</b>	1PC
(A)		<b>Flat Head Screw</b>	8PCS
(B)		<b>Hanger</b>	2PCS
(C)		<b>Phillips Head Screw</b>	4PCS
(D)		<b>Phillips Head Screw</b>	2PCS

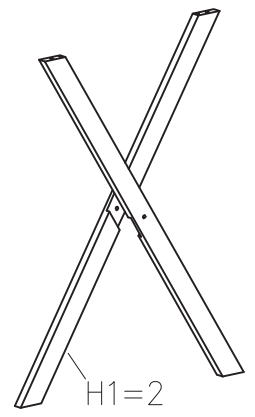


step2



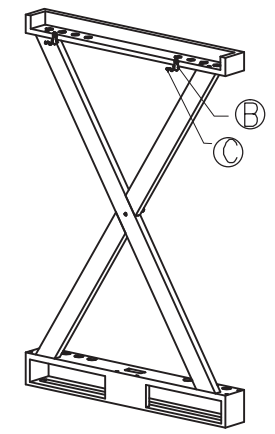
Assemble the base ( H2 ) and top ( H3 ) using flat head screws ( A ) then insert the dowel ( H4 ) into the center hole of frame ( H1 ) as shown

step1



Assemble the X frame

step3



Attach the hangers ( B ) to the back of the top ( H3 ) using phillips head screw ( C ). Your rack is now ready to hang using hardware appropriate for your wall type.