

尺寸：210\*140mm

骑马钉

封面128g铜版纸，内页80g书纸

双色印刷

**TAOTRONICS**

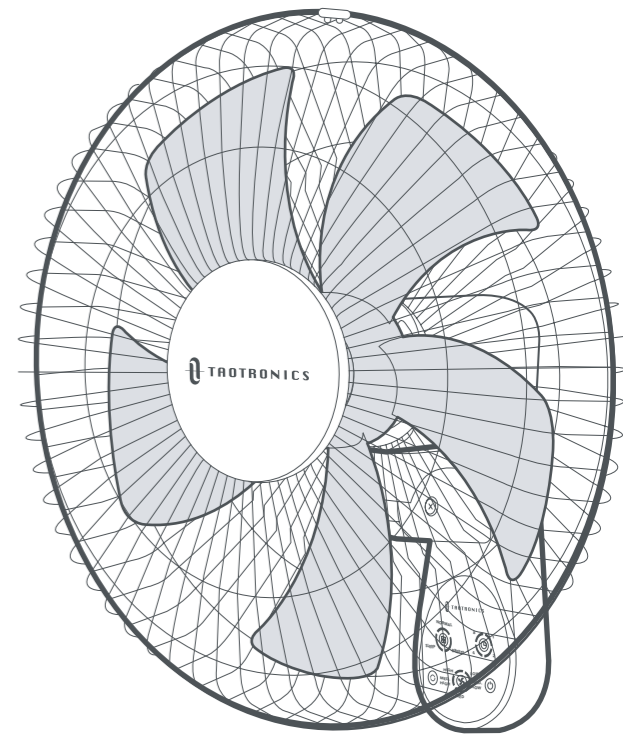
**Questions or Concerns?**

[support@taotronics.com](mailto:support@taotronics.com)



TAOTRONICS  
**WALL FAN**

**User Manual**



# THANK YOU

FOR BEING OUR CUSTOMER



Your purchase is truly appreciated!  
We hope you are over-the-moon with our product!

# Contents

<b>IMPORTANT SAFETY INSTRUCTIONS</b>	01
<b>ASSEMBLING YOUR FAN</b>	04
<b>USING YOUR FAN</b>	09
<b>CLEANING AND MAINTENANCE</b>	14
<b>TROUBLESHOOTING</b>	16
<b>WARRANTY AND SERVICE</b>	18

# 01

## IMPORTANT SAFETY INSTRUCTIONS

Summon A Cool Breeze Into Your Space



**BEFORE USING THIS APPLIANCE READ ALL INSTRUCTIONS AND CAUTIONARY MARKINGS IN YOUR USER MANUAL AND ON THE APPLIANCE.**



**DO NOT** touch or hold the mains plug with wet hands.



**DO NOT** block or cover air flow to or from the fan while in operation.



**DO NOT** insert fingers or objects through the grille while in operation.

### INTENDED USE

- This appliance is not intended for use by people (including children) with reduced physical, sensory or mental capabilities, or lack of experience and knowledge, unless they have been given supervision or instruction concerning the use of the appliance by person responsible for their safety.
- Close supervision is necessary when any appliance is used by or near children. Children should be supervised to ensure that they do not play with the appliance. Cleaning and user maintenance shall not be done by children unless they are older than 8 and supervised.
- Use the appliance only for intended household purposes as described in this User Manual. Any other use is not recommended that may cause fire, electric shock, or injury to people.

### ELECTRICITY SAFETY

- This appliance must be provided with correct voltage via a professionally installed power socket. Make sure the voltage indicated on the label of the appliance is the same as your local supply.
- **IMPORTANT** - This appliance has a polarized plug (one blade is wider than the other). To reduce the risk of electric shock, this plug is intended to fit in a polarized outlet only one way. If the plug does not fit fully in the outlet, reverse the plug. If it still does not fit, contact a qualified electrician. Do not attempt to rig this safety feature.
- This product employs overload protection (fuse). A blown fuse indicates an overload or short-circuit situation. If the fuse blows, unplug the product from the outlet. Replace the fuse as per the user servicing instructions (follow product marking for proper fuse rating) and check the product. If the replacement fuse blows, a short-circuit may be present and the product should be discarded or returned to an authorized service facility for examination and/or repair.

- **WARNING:** To Reduce The Risk Of Fire Or Electric Shock, Do Not Use This Fan With Any Solid-State Speed Control Device.
- Include instructions pertaining to a risk of fire, electric shock, or injury to persons, for cleaning and user-maintenance, such as lubrication.
- **DO NOT** operate any fan with a damaged cord or plug. Discard fan or return to an authorized service facility for examination and/or repair.
- **DO NOT** run cord under carpeting. Do not cover cord with throw rugs, runners, or similar coverings.
- **DO NOT** route cord under furniture or appliances. Arrange cord away from traffic area and where it will not be tripped over.
- Disconnect the appliance from the power supply before servicing.

## FOR HOUSEHOLD USE ONLY READ AND SAVE THESE INSTRUCTIONS

 <b>Regular Check</b>	<b>Have your wall fan checked regularly for any sign of malfunction!</b>
	<b>Check if</b> <ul style="list-style-type: none"> <li>• Plug, cord or appliance is damaged.</li> <li>• Excessive noise, unpleasant odor or abnormal heat.</li> </ul> Stop using, check FAQ and contact TaoTronics Support Team.

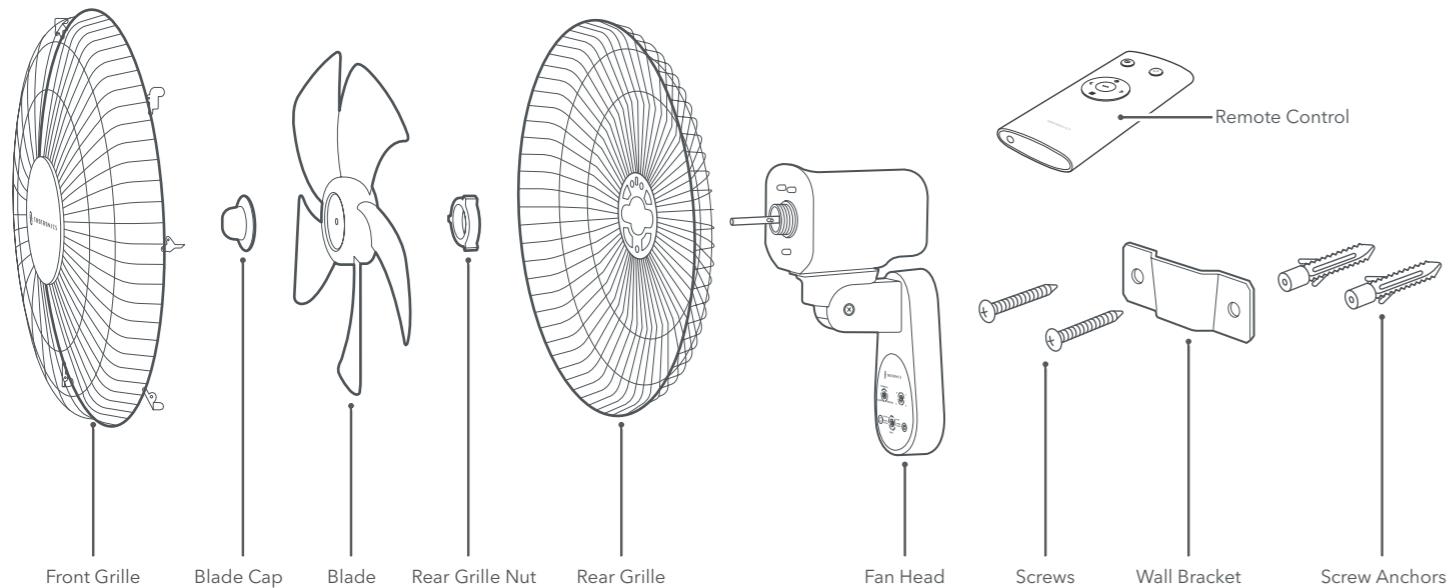
### Specifications

Model	TT-TF011
Input	120V~ 60Hz
Rated power	55W

# 02

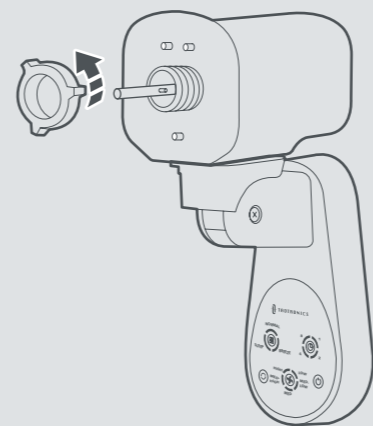
## ASSEMBLING YOUR FAN

Summon A Cool  
Breeze Into Your  
Space



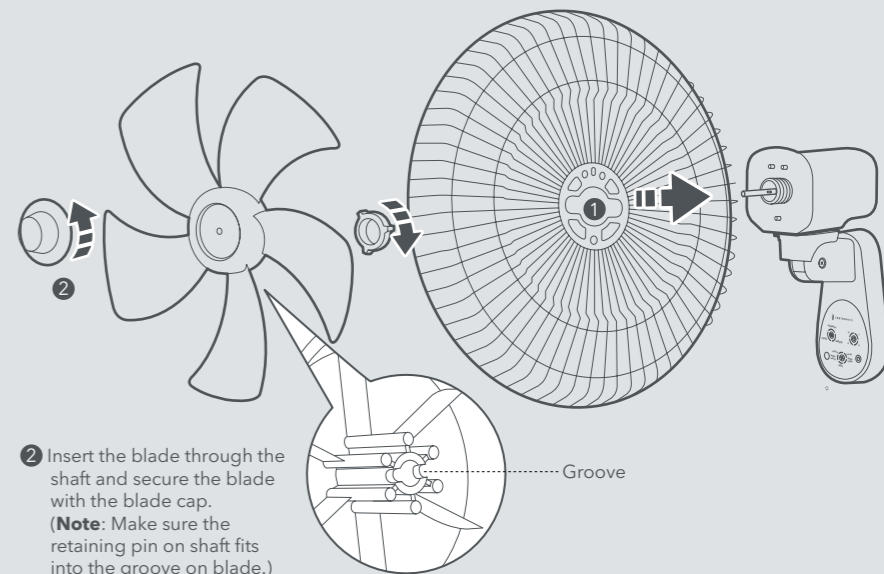
## Assemble Your Fan

1.



Unscrew the rear grille nut counterclockwise.

2.

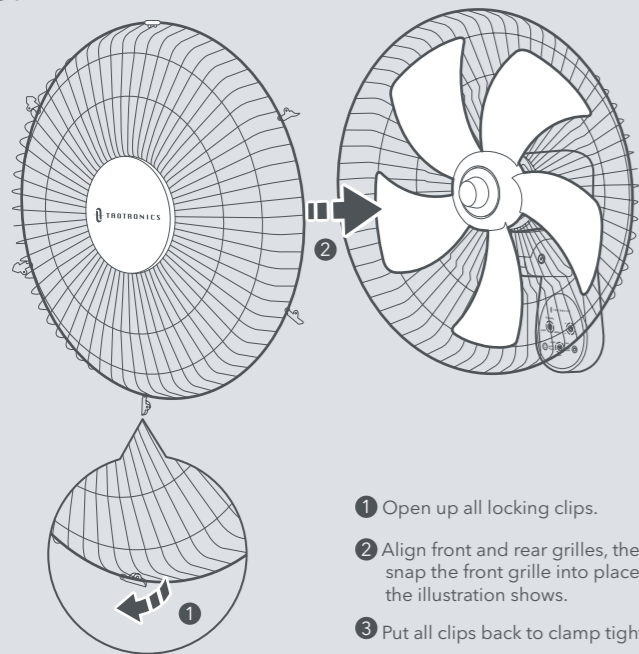


2 Insert the blade through the shaft and secure the blade with the blade cap. (Note: Make sure the retaining pin on shaft fits into the groove on blade.)

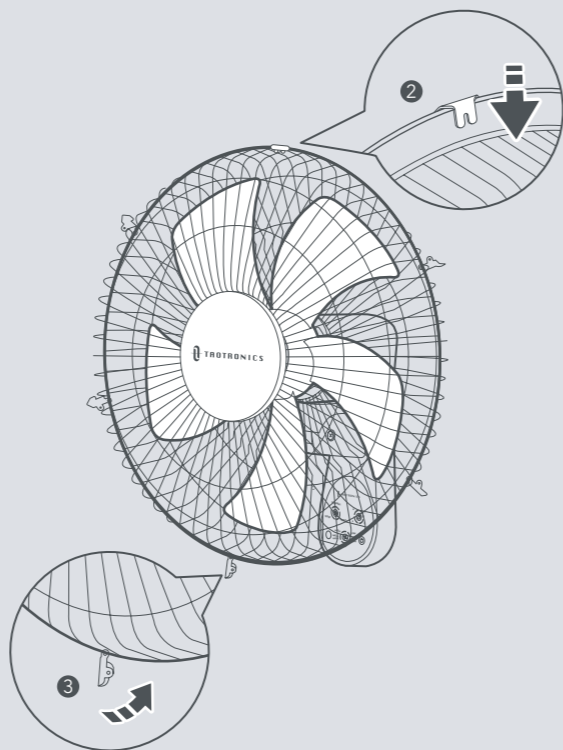
Groove

## Assemble Your Fan

3.

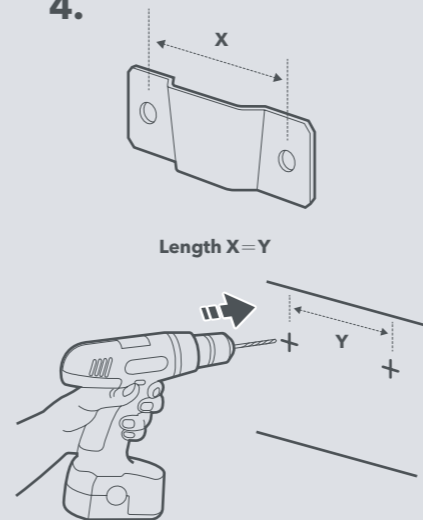


- 1 Open up all locking clips.
- 2 Align front and rear grilles, then snap the front grille into place as the illustration shows.
- 3 Put all clips back to clamp tightly.

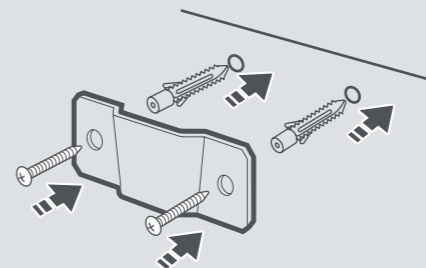


## Mount Your Fan

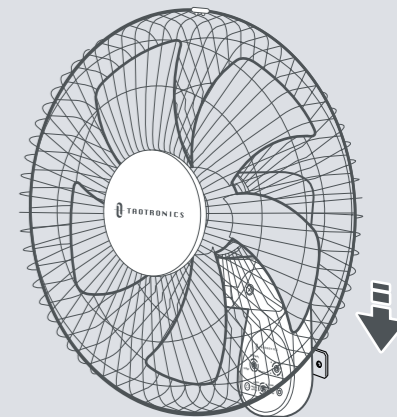
4.



- 1 Measure the distance between two holes in wall bracket, drill two identical holes in wall with a proper drill bit as the illustration shows.



- 2 Push the screw anchors separately into the holes, then fix the wall bracket in position with the screws.



- 3 Slide metal sheet into the wall bracket to hold the fan in place.



# 03

## USING YOUR FAN

Summon A Cool  
Breeze Into Your  
Space

### Control Panel

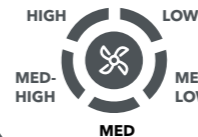
#### Power ON/Standby

Turn on /Standby mode.



#### Fan Speed

Press repeatedly to cycle through LOW, MED-LOW, MED, MED-HIGH, HIGH.



#### Oscillation

Press to start / stop oscillating.



#### Fan Mode

Press repeatedly to cycle through NORMAL, SLEEP, BREEZE.



#### Timer

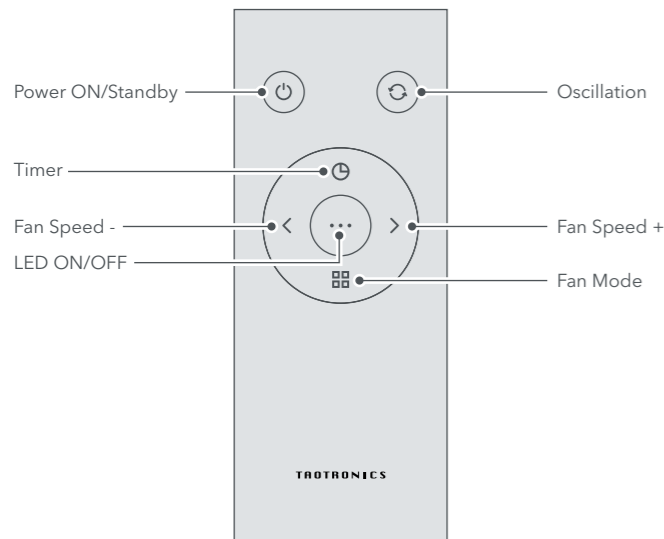
- Press to set timer for turning on / off the fan (1H-2H-4H-8H).
- Long press to cancel timer.



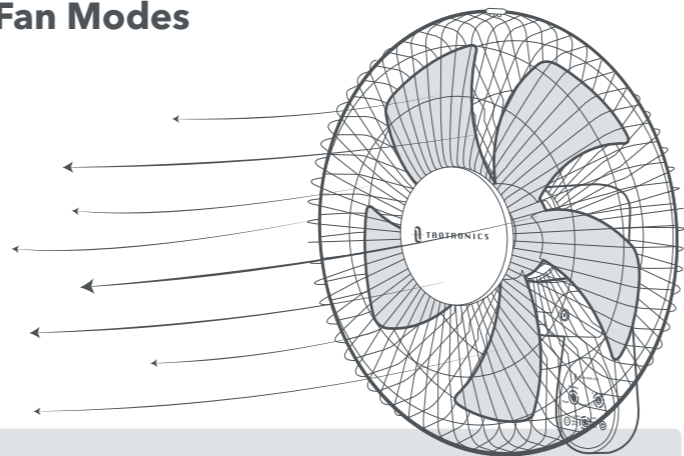
## Remote Control



Note: For added convenience, the same control buttons can be found on the remote control.



## Fan Modes



- NORMAL: LOW, MED-LOW, MED, MED-HIGH, HIGH.
- SLEEP : LOW, MED, HIGH.
- BREEZE : LOW, MED, HIGH.

**Normal mode** Running with selected constant speed.

**Sleep Mode** Fan speed drops one level every 30 minutes until the lowest then stays.

**Breeze mode** Fan speed cyclically changed for mimic natural wind.

## Additional Features



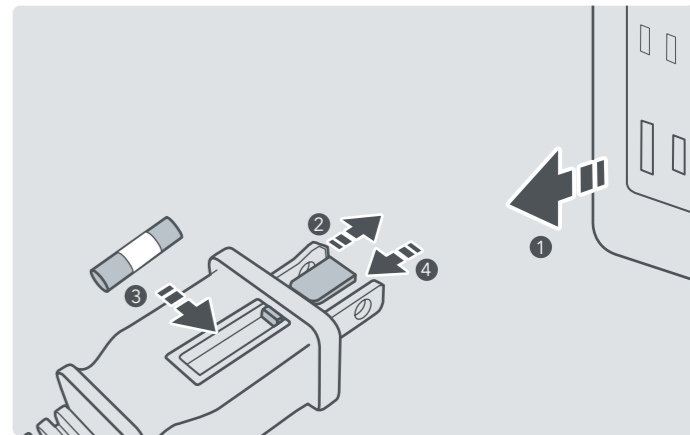
### Memory Function:

The fan is designed with power off memory function. It will always remember your last settings (except timer setting) once you turn it on again.

## User Servicing Instructions



This wall fan features a fused safety plug which is designed to cut off electric current to the fan if an electrical fault occurs. If your fan loses power and you suspect that the fuse on your fan has blown,

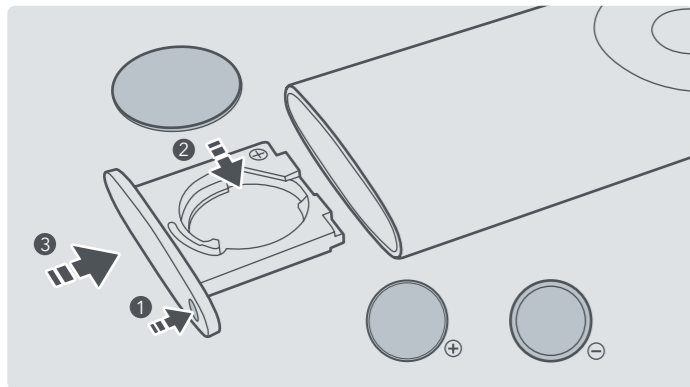


- 1 Grasp plug and remove from the receptacle or other outlet device. DO NOT unplug by pulling on cord.
- 2 Open fuse cover. Slide open fuse access cover on top of attachment plug towards blades.
- 3 Remove fuse carefully. Insert the tip of your tool into fuse slot (close with the terminal), then prize the fuse gradually and slowly, but not overexert. If you feel tight, you can try it at several times and prize the fuse little by little. When one side of the fuse has been prized, then you can get the fuse out entirely. Risk of fire. Replace fuse only with 2.5 Amp, 125 Volt fuse.
- 4 Close fuse cover. Slide closed the fuse access cover on top of attachment plug. Risk of fire. DO NOT replace attachment plug. Contains a safety device (fuse) that should not be removed. Discard product if the attachment plug is damaged.

## Replacement of Battery



- Replace with new batteries of the same type when replacement is required.
- When not using the remote control for a long time, please take out the batteries.
- Do not attempt to dismantle the batteries.
- Do not dispose the batteries in fire, batteries may explode or leak.
- Do not use rechargeable batteries.



- 1 Press the locking button to remove the battery holder.
- 2 Replace the battery with the same type (CR2025, 3V), making sure the (+) side facing up.
- 3 Push in the holder until securely locked into place.



**WARNING:**  
Do not ingest battery, Chemical Burn Hazard.

This product contains a coin / button cell battery. If the coin / button cell battery is swallowed, it can cause severe internal burns in just 2 hours and can lead to death. Keep new and used batteries away from children. If the battery compartment does not close securely, stop using the product and keep it away from children. If you think batteries might have been swallowed or placed inside any part of the body, seek immediate medical attention.

The batteries contain materials, which are hazardous to the environment; they must be removed from the appliance before it is scrapped and that they are disposed of safely.

# 04

## CLEANING AND MAINTENANCE

Summon A Cool  
Breeze Into Your  
Space

## Always take the fan off wall before cleaning for safety reasons.



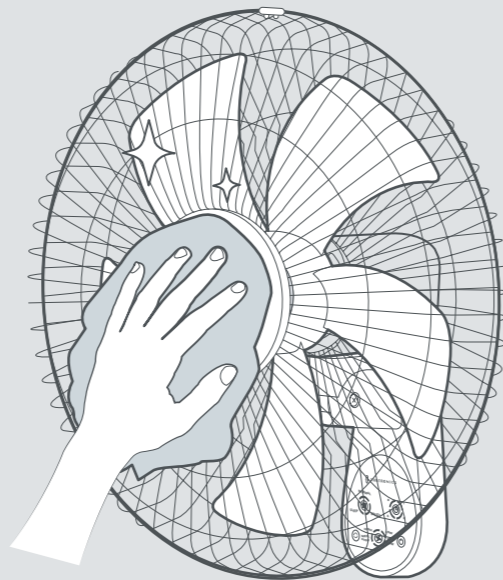
A soft cloth is recommended for cleaning the blade.



To remove dust between the grilles, a pipe cleaner, flexible dust wand, vacuum cleaner or compressed air are acceptable.



- Always make sure the wall fan is turned off and unplugged before cleaning.
- DO NOT stick any foreign objects or your fingers inside of the unit.
- Never immerse in water or allow water to drip into the motor housing.
- DO NOT clean with abrasive chemicals or flammable cleaning agents.



# 05

## TROUBLESHOOTING

Summon A Cool  
Breeze Into Your  
Space

**Excessive noise.**

**Fan does not operate.**

**Oscillation is not steady or fan vibrates.**

**Why the remote control is not working.**

- It is normal that there is noise during operation. If too loud, please set the fan to lower speed.
- Check if the blade is installed properly.

- Make sure the fan is connected to a powered electrical outlet.

- Make sure the fan is mounted firmly on a vertical wall.
- Clean the blade regularly.

- Make sure the fan is connected to a powered electrical outlet.
- Check that the remote control is powered and move the obstacles between the fan and the remote control.
- Operate the remote control near or in front of the wall fan.

A

The troubleshooting guide addresses the most common problems. If problems persist, feel free to contact our Customer Support at

[support@taotronics.com](mailto:support@taotronics.com)



## WARRANTY AND SERVICE

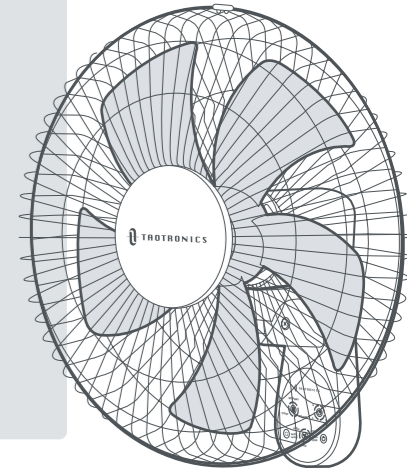
Thanks for choosing TaoTronics wall fan. This product is covered with TaoTronics product and labor warranty for 12 months from the date of its original purchase.

### The warranty will not apply in cases of:

- Accident, misuse, or repairs performed by unauthorized personnel.
- Any unit that has been tampered with or used for commercial purpose.
- Normal wear and tear of wearable parts.
- Use of force, damage caused by external influences.
- Damage caused by non-observance of the User Manual, e.g. connection to an unsuitable mains supply or non-compliance with the instructions.
- Partially or completely dismantled appliances.
- Defects caused by or resulting from damages from shipping or from repairs, service, or alteration to the product or any of its parts that have been performed by a repair person not authorized by TaoTronics.

We can only provide after sales service for products that are sold by TaoTronics or TaoTronics authorized retailers and distributors. If you have purchased your unit from a different place, please contact your seller for return and warranty issues.

**\* Please have your invoice and order ID ready before contacting Customer Support.**



Model:TT-TF011



[support@taotronics.com](mailto:support@taotronics.com)



[www.taotronics.com](http://www.taotronics.com)



Manufacturer: Shenzhen NearbyExpress Technology Development Co.,Ltd.  
Address: Floor 7, Building E, Galaxy World Phase II, Shenzhen, China



**Intertek**  
5018396

Made in China