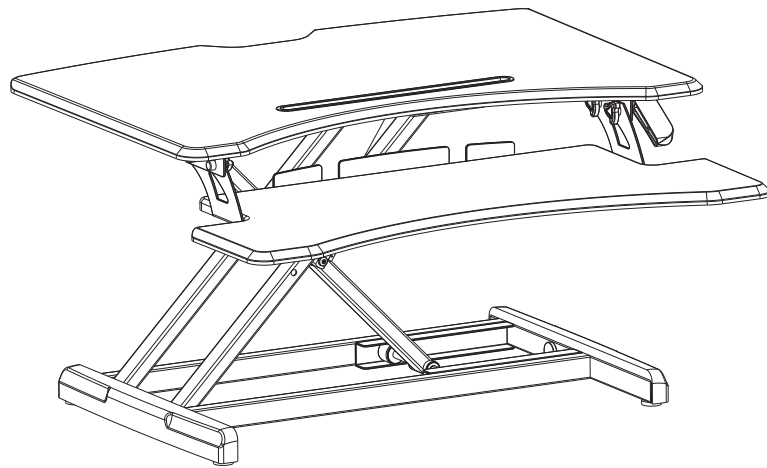


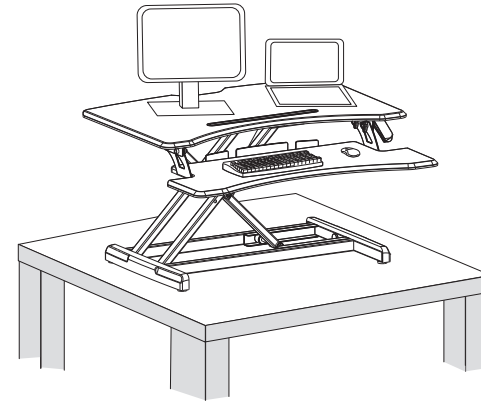
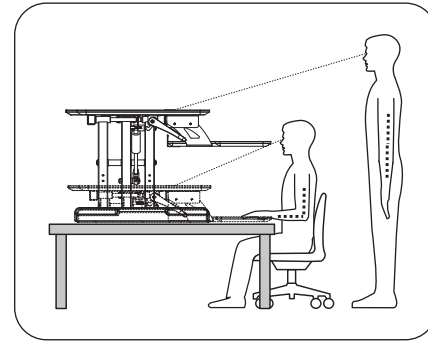
TAOTRONICS



MODEL: TT-SD005
 HEIGHT-ADJUSTABLE
 STANDING DESK 36 INCH
User Guide

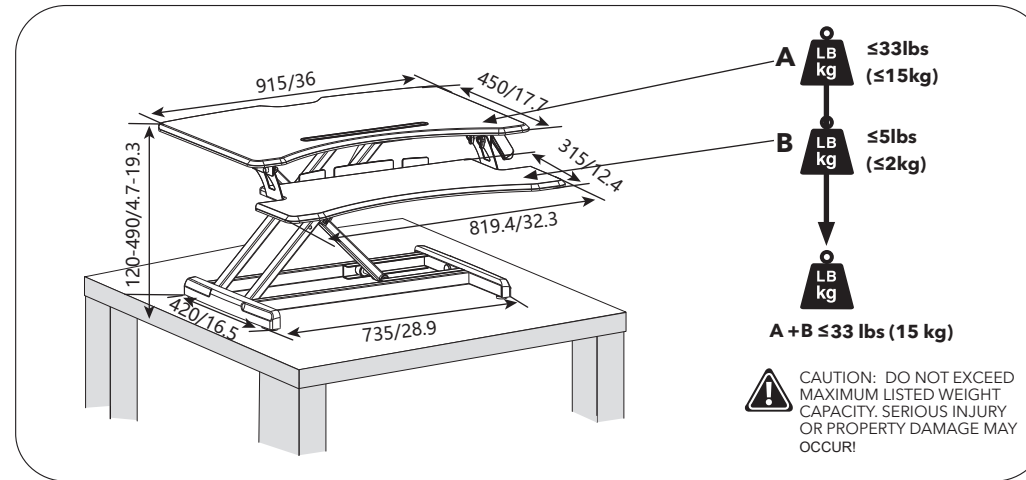
Mounting Instructions

Sit and Stand Desktop



Features & Specifications

Units: mm/in



Package Contents

	A	B	C	D	E	F
1						
		LX1 / RX1	X1	X8	X2	X1

Tools required not included



Mounting and Using the Desk

1

When carrying the desk, be sure to hold the bottom with both hands, do not subject the table to a separate force to avoid the top and bottom falling apart.

Warning: Keep clear of the struts to avoid pinches.

2



www.taotronics.com

ASIA PACIFIC

E-mail: support.jp@taotronics.com(JP)

JP Importer: 株式会社SUNVALLEY JAPAN

〒104-0032東京都中央区八丁堀3丁目18-6PMO京橋東9F

EUROPE

E-mail:

support.uk@taotronics.com(UK)

support.de@taotronics.com(DE)

support.fr@taotronics.com(FR)

support.es@taotronics.com(ES)

support.it@taotronics.com(IT)

EU Importer: ZBT International Trading GmbH

Address: Halstenbeker Weg 98C, 25462 Rellingen, Deutschland

NORTH AMERICA

E-mail: support@taotronics.com(US)

support.ca@taotronics.com(CA)

Tel: 1-888-456-8468 (Monday-Friday: 9:00 - 17:00 PST)

US Distributor: SUNVALLEYTEK INTERNATIONAL INC.

Address: 46724 Lakeview Blvd, Fremont, CA 94538

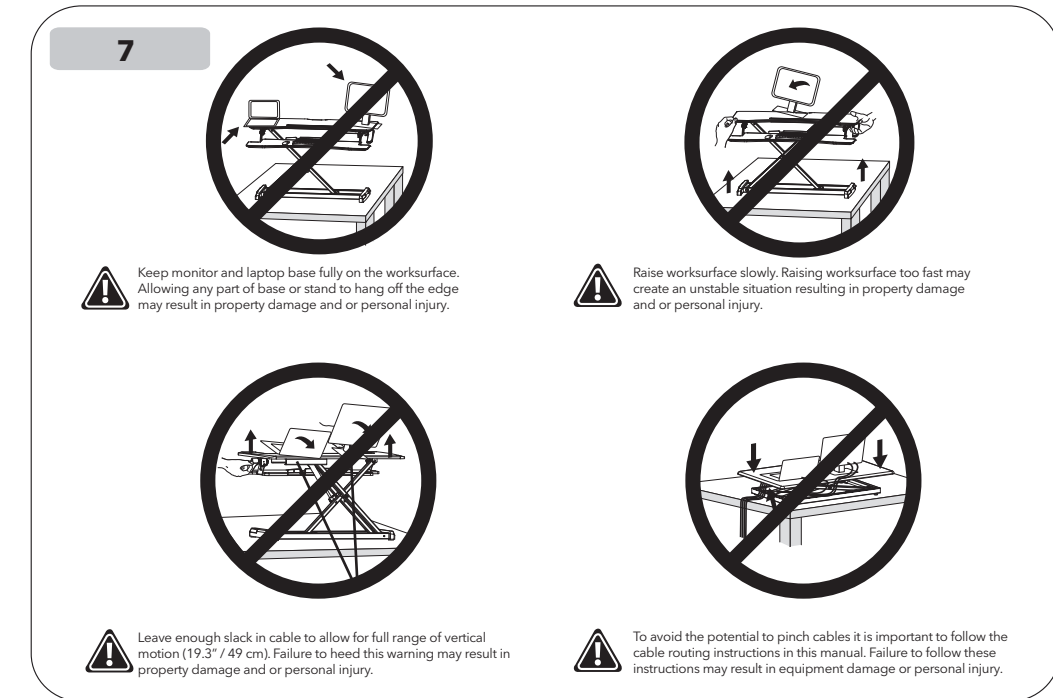
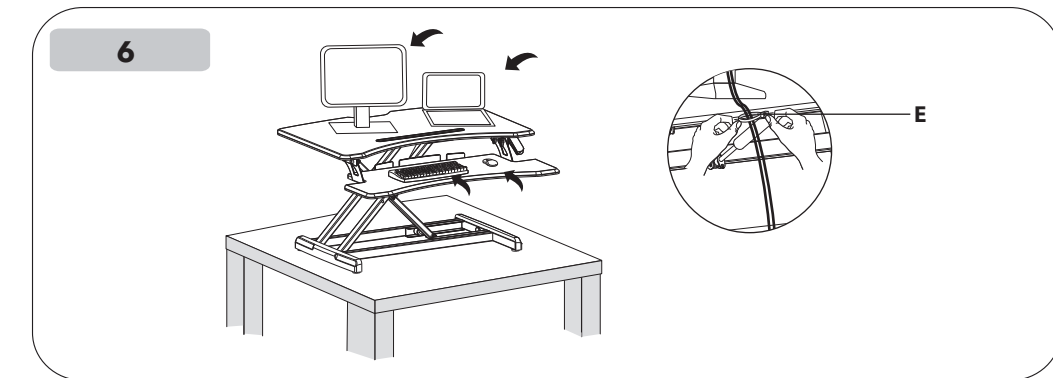
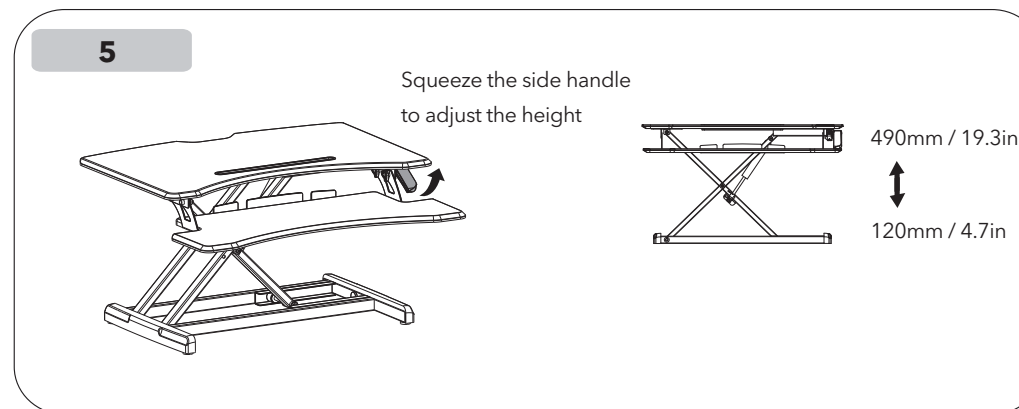
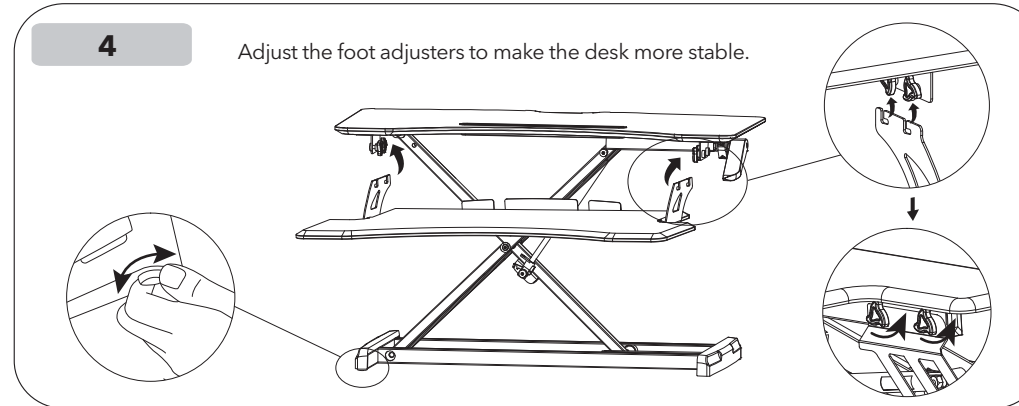
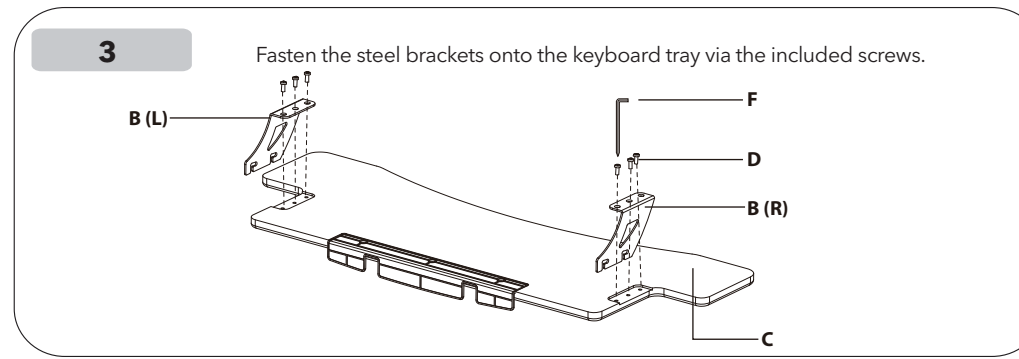
MANUFACTURER

Manufacturer: Shenzhen NearbyExpress Technology Development Co.,Ltd.

Address: 333 Bulong Road, Shenzhen, China, 518129

Learn more about the EU Declaration of Conformity:

<https://www.taotronics.com/downloads-TT-SD005-CE-Cert.html>



! WARNING

PINCH POINT

DO NOT place hands on or near support bars. Pinch points are created during lifting and lowering the worksurface. Failure to follow these instructions may result in serious personal injury.