



尺寸：160*120mm

装订成册

材质：封面128克铜版纸 内页80克书纸



TAOTRONICS

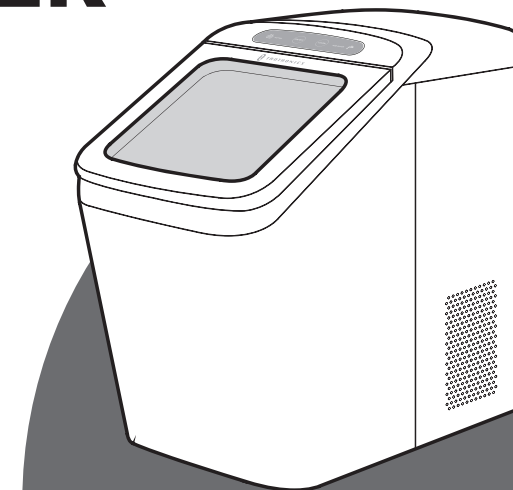
Questions or Concerns?
support@taotronics.com



TAOTRONICS **ICE MAKER**

TT-IC001

User Manual



CONTENTS

1
01-03

IMPORTANT
SAFETY
INSTRUCTIONS

2
04-07

BEFORE
USING
ICE MAKER

3
08-09

USING
YOUR
ICE MAKER

4
10-11

AUTOMATIC
WATER
ADDING

5
12-13

CLEANING
AND
MAINTENANCE

6
14-15

TROUBLE-
SHOOTING
GUIDE

THANK YOU

FOR BEING OUR CUSTOMER



Your purchase is truly appreciated!
We hope you are over-the-moon with our product!



DO NOT touch or hold the mains plug with wet hands.



DO NOT immerse any part in water or any other liquid.



DO NOT tip the Ice Maker over.

IMPORTANT SAFETY INSTRUCTIONS



Allow two hours for the refrigerant fluid to settle before plugging in.



WARNING

WHEN USING ELECTRICAL APPLIANCES, BASIC PRECAUTIONS SHOULD ALWAYS BE FOLLOWED TO REDUCE THE RISK OF FIRE, ELECTRIC SHOCK, AND INJURY TO PERSONS, INCLUDING THE FOLLOWING:

INTENDED USE

- This appliance is not intended for use by persons (including children) with reduced physical, sensory or mental capabilities, or lack of experience and knowledge, unless they have been given supervision or instruction concerning the use of the appliance by person responsible for their safety.
- Close supervision is necessary when any appliance is used by or near children. Children should be supervised to ensure that they do not play with the appliance. Cleaning and user maintenance shall not be done by children unless they are older than 8 and supervised.
- Use the appliance only for intended household purposes as described in this User Manual. Any

other use is not recommended that may cause fire, electric shock, or injury to persons.

ELECTRICITY SAFETY

- This appliance must be provided with correct voltage via a professionally installed power socket. Make sure the voltage indicated on the label of the appliance is the same as your local supply.
- **DO NOT** operate the appliance if the plug, the main cord or the appliance itself is damaged. Always make sure that the plug is inserted properly into a wall outlet.
- **DO NOT** let cord hang over edge of table or counter, or touch hot surfaces.
- **DO NOT** use an extension cord with this unit.

RELATED TO USE

- Always make sure to place the Ice Maker on a flat, level surface before operation.
- **DO NOT** use any other liquid to make ice other than water.
- **DO NOT** use mechanical devices to defrost.

- Always unplug the appliance before cleaning, making any repairs or servicing, or whenever not in use.
- **DO NOT** attempt to disassemble, repair, modify or replace any part any part of your product. All servicing should be performed by qualified personnel only.
- **DO NOT** tip the appliance over. If it is stored tipped over, please set upright for at least 2 hours before plugging it in.
- If the appliance is stored in a cold environment, wait at least 3 hours for the appliance to warm to room temperature before plugging it in.

FOR HOUSEHOLD USE ONLY

READ AND SAVE THESE INSTRUCTIONS

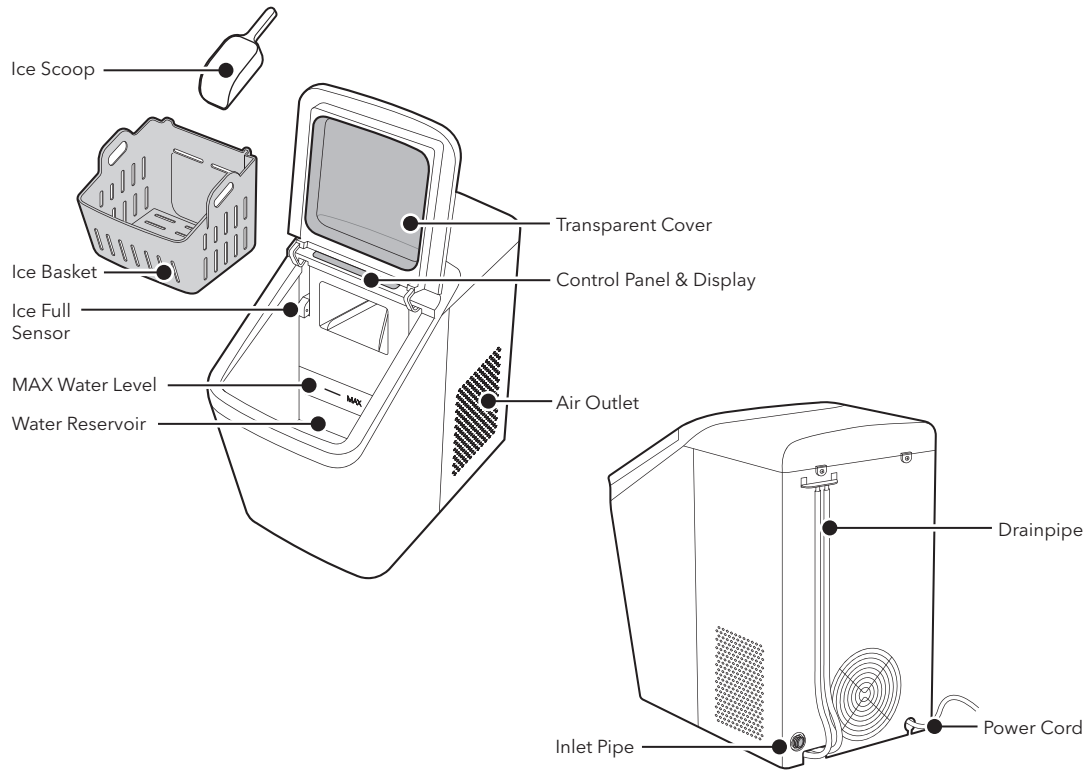


HAVE YOUR ICE MAKER CHECKED REGULARLY FOR ANY SIGN OF MALFUNCTION!

Check if Plug, cord or appliance is damaged. Stop using, check FAQ and contact TaoTronics Support Team.

Specifications

Model	TT-IC001
Voltage	120V~60Hz
Rated Power	170 W
Daily Capacity	26lbs./12kg
Ice Basket Capacity	3.3lbs./1.5kg
Water Reservoir Capacity	2.7L



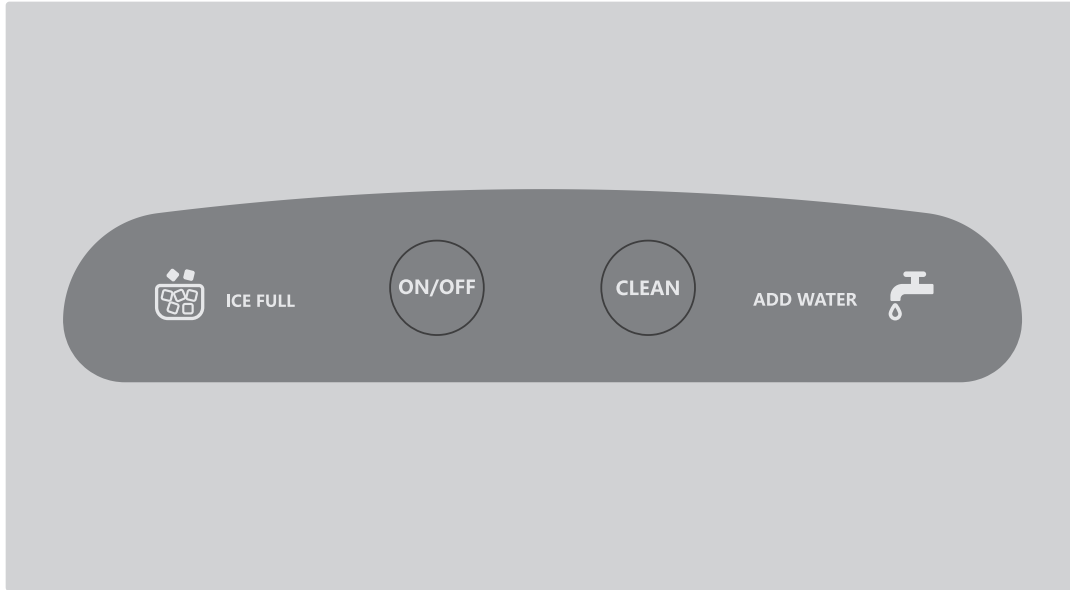
PREPARING FOR USE



- 1** Remove all exterior and interior packaging. Check that all parts are inside.
- 2** Clean the interior, ice basket and ice scoop with lukewarm water and a soft cloth.
- 3** Place upright on a flat, level surface away from direct sunlight and/or other heat sources.
- 4** Allow two hours for the refrigerant to settle before plugging in.

**BEFORE
USING ICE
MAKER**

CONTROL AND FUNCTIONS



ICE FULL

Ice Full

Lights up when ice basket is full.



On/Off

Press to start or stop making ice.



Clean Ice Maker

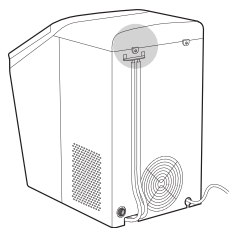
Press and hold for 3 seconds to start or stop cleaning.



Add Water

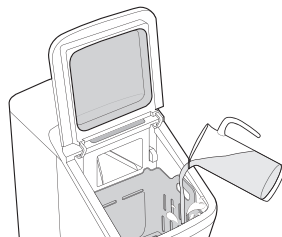
Lights up when reservoir is lack of water.

1.



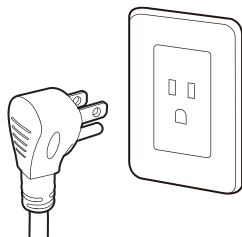
Check that the drainpipe plugs are firmly inserted.

2.

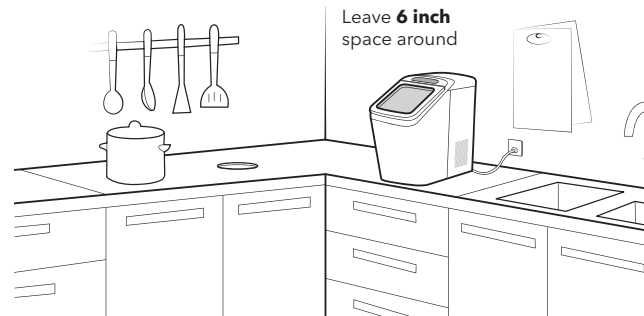


Fill with clean drinking water. Do not exceed the MAX line.

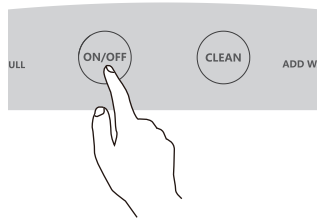
3.



Plug into a properly installed grounded wall outlet.

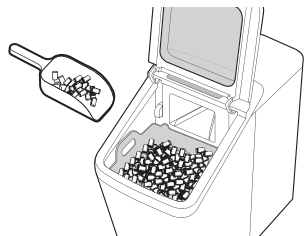


4.



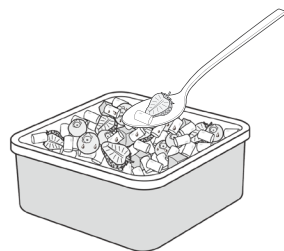
Press On/Off to start ice making cycle.

5.



Once ready, remove the ice from the basket with scoop.

6.



Iced Drinks



First Aid




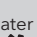
Smoothies



Fresh Food



NOTE

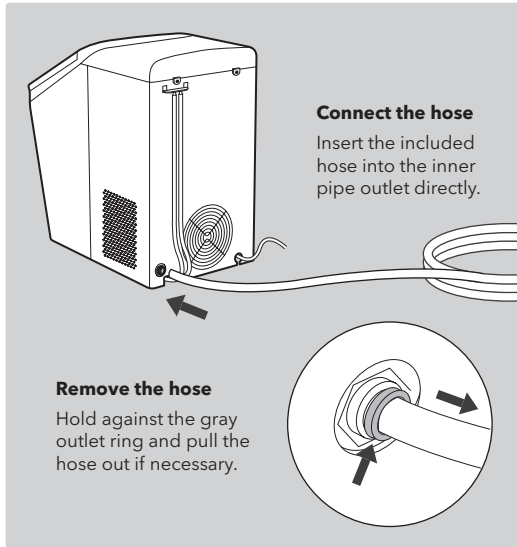
- When  Add Water lights up, fill water up to the max level and press "On/Off". When  Ice Full lights up, remove the ice in time.
- It is recommended to change water every 24 hours to ensure a reasonable hygiene level.
- Not a freezer, please put the ice in use or into freezer once it is made.

USING YOUR ICE MAKER

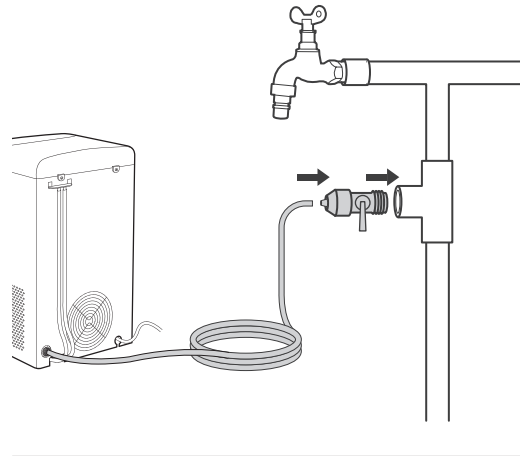
Automatic Water Adding

You can choose to add water automatically by connecting the included hose to the water supply system as instructed. An adapter may be required as per the type of water supply system in your home.

Note: To avoid overflow of water, please do not add water manually when already connected with the water supply.

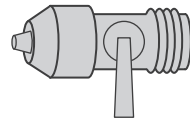


Recommended Connection Type 1



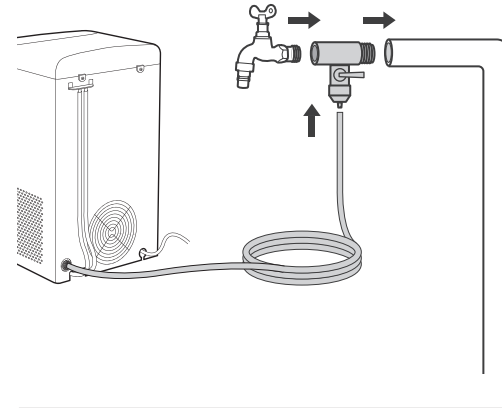
1/4" Connector

Connect to the included hose



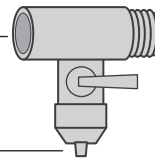
Connect to the water supply

Recommended Connection Type 2



Connect to the water tap

1/4" Connector
Connect to the included hose



Connect to the water supply

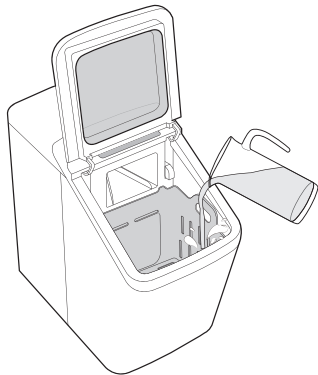
AUTOMATIC WATER ADDING

SYSTEM CLEANING



Plug the ice maker into a properly installed grounded wall outlet before system cleaning.

1.



Fill water up to the max level.

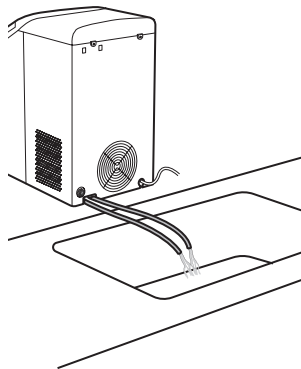
2.



3S

Press and hold Clean for 3 seconds to start cleaning cycle (8 minutes).

3.



Once finished, unhook the drainpipes and lay down to a sink.

REGULAR CLEANING



Unplug the ice maker before regular cleaning.



- 1 Unplug and take out the ice basket.
- 2 Clean the interior with diluted detergent, warm water and a soft cloth.
- 3 Rinse inside parts and drain out the water.
- 4 Clean the exterior regularly with lukewarm water and a soft cloth.
- 5 When not in use for an extended period of time, drain water completely and dry the interior.

5 CLEANING AND MAINTENANCE

Problem	Possible Causes	Solution
"Add Water" indicator is on.	Lack of water.	Fill water up to the max level and press "On/Off" to restart.
	Water floater is stuck.	If there is enough water in the reservoir, check if the water floater is blocked. Clean and restart.
"Ice Full" indicator is on.	The ice basket is full.	Remove the ice from the basket with scoop.
No indicator lights up on display.	Not connected to a power source.	Be sure to connect to an appropriate electrical outlet.
	The fuse blows.	Contact TaoTronics Support Team.
Ice cubes are sticking together.	Ice cubes are left in water reservoir.	Stop the appliance, and restart it when the ice cubes melt.
Ice making cycle is normal but no ice is being formed.	Room or water temperature in inner tank is too high.	Suggested room temperature: 50°F - 90°F / 10°C - 32°C Suggested water temperature: 40°F - 82°F / 4°C - 28°C
	Refrigerant in cooling system is leaking.	Contact TaoTronics Support Team.
	Pipe in the cooling system is blocked.	
"Ice Full" indicator is not on when the ice basket is full.	Ice full sensor failed.	Contact TaoTronics Support Team.
	Infrared detection is affected by strong light.	Move the ice maker to relatively dark place.
"ON/OFF" stays solid on and "CLEAN" flashes	Ice-making assembly is defrosting.	Wait 30 minutes for the ice maker to return to normal. Or you can press and hold the "CLEAN" Button to start cleaning, then press "ON/OFF" to restart after cleaning is done.
Both "ON/OFF" and "CLEAN" flash	Ice-making assembly is frozen.	Wait 20 minutes for the ice maker to defrost automatically. Unplug the ice maker then restart. If problem persists, contact TaoTronics Support Team

The following troubleshooting guide addresses the most common problems. If problems persist, feel free to contact the Customer Support at

support@taotronics.com



TROUBLESHOOTING GUIDE

Warranty and Service

Thanks for choosing TaoTronics Ice Maker.

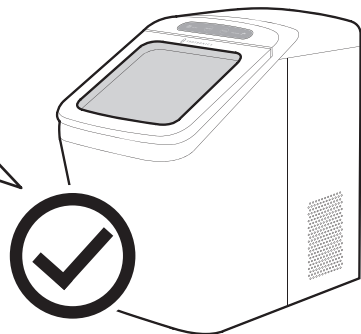
This product is covered with TaoTronics product and labor warranty for 12 months from the date of its original purchase.

The warranty will not apply in cases of:

- Accident, misuse, or repairs performed by unauthorized personnel.
- Any unit that has been tampered with or used for commercial purpose.
- Normal wear and tear of wearable parts.
- Use of force, damage caused by external influences.
- Damage caused by non-observance of the User Manual, e.g. connection to an unsuitable mains supply or non-compliance with the instructions.
- Partially or completely dismantled appliances.
- Defects caused by or resulting from damages from shipping or from repairs, service, or alteration to the product or any of its parts that have been performed by a repair person not authorized by TaoTronics.

We can only provide after sales service for products that are sold by TaoTronics or TaoTronics authorized retailers and distributors. If you have purchased your unit from a different place, please contact your seller for return and warranty issues.

※ **Please have your invoice and order ID ready before contacting Customer Support.**



support@taotronics.com



www.taotronics.com



Manufacturer: Shenzhen NearbyExpress Technology Development Co.,Ltd.
Address: Floor 7, Building E, Galaxy World Phase II, Shenzhen, China



Intertek
MADE IN CHINA