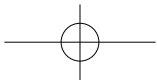




尺寸：210mm*148mm

骑马钉

封面128铜版纸，内页80g书纸





E-mail:
support@taotronics.com

MANUFACTURER
Manufacturer: Shenzhen NearbyExpress Technology Development Co.,Ltd.
Address: Floor 7, Building E, Galaxy World Phase II, Shenzhen, China

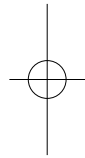

LISTED MADE IN CHINA

Rev_1.1_EN

Model: TT-EF001
TaoTronics Beverage Cooler
User Manual



Contents

- 01 IMPORTANT SAFETY INSTRUCTIONS**
 - 04 Package Contents**
 - 04 Product Diagram**
 - 05 Before First Use**
 - 05 Getting Started**
 - 08 Using Your Beverage Cooler**
 - 10 Specifications**
 - 11 Cleaning and Maintenance**
 - 12 Troubleshooting**
 - 13 Warranty and Service**
- 



Thanks for choosing TaoTronics Beverage Cooler. Please read this User Guide thoroughly before use and retain it for future reference.



IMPORTANT SAFETY INSTRUCTIONS

- **READ AND FOLLOW ALL SAFETY INFORMATION AND INSTRUCTIONS. KEEP FOR FUTURE REFERENCE.**

- **FOR HOUSEHOLD USE ONLY**

- When using electrical appliances, basic precautions should always be followed to reduce the risk of fire, electric shock, and injury to persons, including the following:
- Read all instructions before using the appliance.
- This appliance is not intended for use by persons (including children) with reduced physical, sensory or mental capabilities, or lack of experience and knowledge, unless they have been given supervision or instruction concerning the use of the appliance by person responsible for their safety.
- This cooler and its packaging are not intended to be played with or used by children. Close attention is necessary when used by or near children.
- Do not use mechanical devices or other means to accelerate the defrosting process, other than those recommended by the manufacturer.
- Do not attempt to modify or repair the product by yourself. Doing so could void the warranty and cause damage or personal injury. Only a repair technician may disassemble or repair this product.
- Keep ventilation openings, in the appliance enclosure or in the built-in structure, clear of obstruction.
- Make sure the cooler is placed in a well-ventilated, indoor environment on flat, sturdy ground (rotate left or right to adjust the wheel to level if unstable).
- Do not tilt the product on its side or upside-down.
- If the beverage cooler was transported tilted on its side, you must position it

upright again and wait at least 24 hours before using it.

- Keep the cooler out of moist, damp, or humid environments and situations, so as not to damage the electrical insulation.
- Refrigerant and cyclopentane foaming material used for the appliance are flammable. Therefore, when the appliance is scrapped, it shall be kept away from any fire source and be recovered by a special recovering company with corresponding

qualification other than be disposed by combustion, so as to prevent damage to the environment or any other harm.

- Children should be supervised to ensure that they do not play with the appliance.
- **Danger** - Risk of child entrapment. Before you throw away your old cooler or freezer:
 - Take off the doors.
 - Leave the shelves in place so that children may not easily climb inside.

WARNINGS RELATED TO ELECTRICITY

- This appliance must be provided with correct voltage via a professionally installed power socket. Make sure the voltage indicated on the label of the appliance is the same as your local supply.
- Please use a dedicated three-hole power socket, which is 15A or more and not shared with other electrical appliances.
- Do not pull the power cord when pulling the power plug of the beverage cooler.
- Do not damage the refrigerant circuit.
- Please firmly grasp the plug and pull it out from the socket directly.
- Do not use an extension cords or ungrounded (two-prong) adapters.
- Do not use the appliance with a damaged cord or plug or after malfunctions occur, or has been damaged in any manner.
- Do not locate multiple portable socket-outlets or portable power supplies at the rear of the appliance.
- For your safety, do not place electric devices on top of the cooler, like microwaves or electric kettles, and don't store your beverage cooler inside pantries.
- In case of leaking gas and other flammable gases, please turn off the leaking valve and open your doors and windows. Do not unplug the cooler yourself, as it may cause a fire. Contact the Customer Support at **support@taotronics.com**.

WARNINGS RELATED TO USE

- Make sure the cooler is placed in a well-ventilated, indoor environment on flat, sturdy ground (rotate left or right to adjust the wheel to level if unstable).
- If the supply cord is damaged, it must be replaced by the manufacturer, its service agent or similarly qualified persons in order to avoid a hazard.
- The gaps between the cooler door and body are small. Be noted not to put your hand in these areas to prevent from squeezing the finger. Please be gentle when close or open the door to avoid falling articles.
- Do not use a base, cooler door, etc. as pedal or support.
- Do not place heavy objects on top of the cooler to prevent accidental damage or injury.
- Always switch OFF the beverage cooler and unplug it from the electrical outlet before carrying out cleaning or maintenance.

WARNINGS RELATED TO PLACING ITEMS

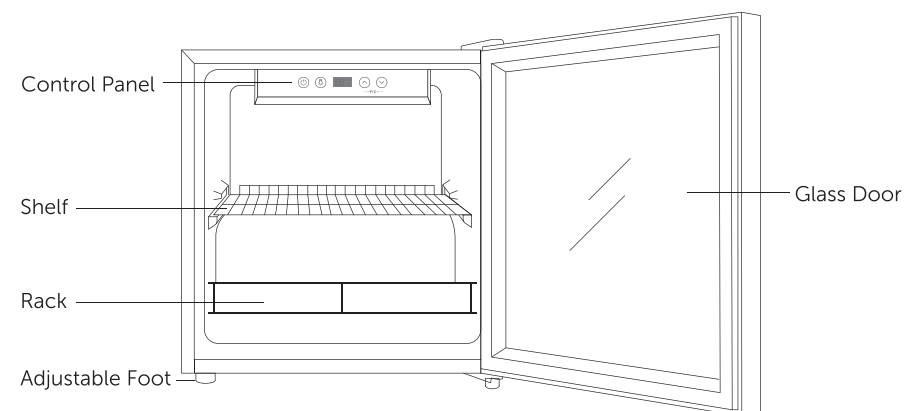
- This appliance is intended to be used in households and similar applications, mainly used for the storage of beverages. It's not used for other purposes, such as storage of blood, drugs, and biological products.
- Do not store explosive substances, such as aerosol cans with flammable propellant, in this appliance.
- Do not put flammable, explosive, volatile, or highly corrosive items in the cooler to prevent damages to the product.
- Do not place flammable items near the cooler to avoid a fire hazard.

SAVE THESE INSTRUCTIONS

Package Contents

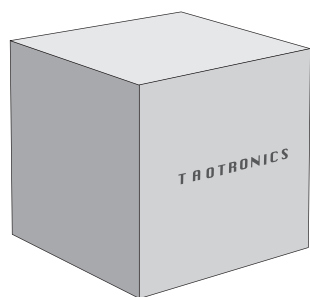
- 1 x TaoTronics Beverage Cooler (TT-EF001)
- 1 x User Guide
- 1 x Quick Start Guide

Product Diagram



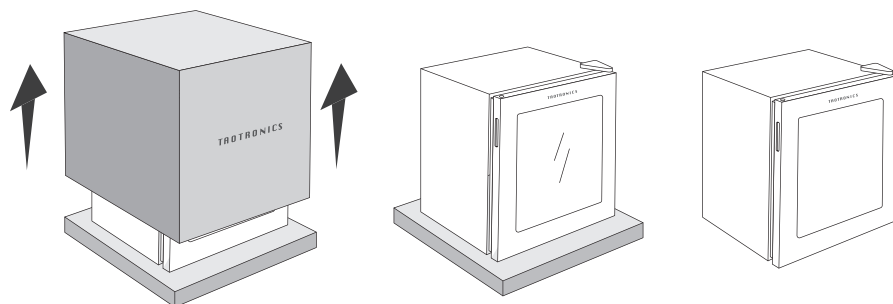
Before First Use

This unit may have been tilted or placed upside down during transportation. To prevent any internal damage and ensure this unit works properly, please set it upright for at least 24 hours before initial use to allow the refrigerant to stabilize.

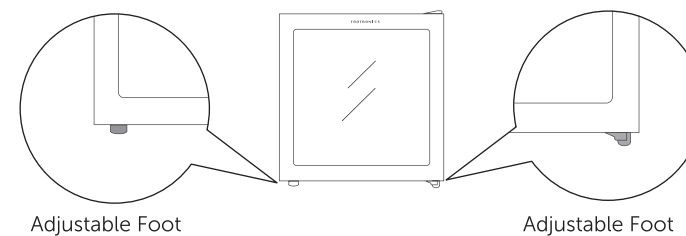


Getting Started

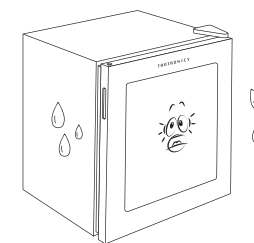
1. Before using the cooler, remove all packaging materials, including bottom cushions, foam pads, and tapes inside the cooler. Tear off the protective film on the door and the body.



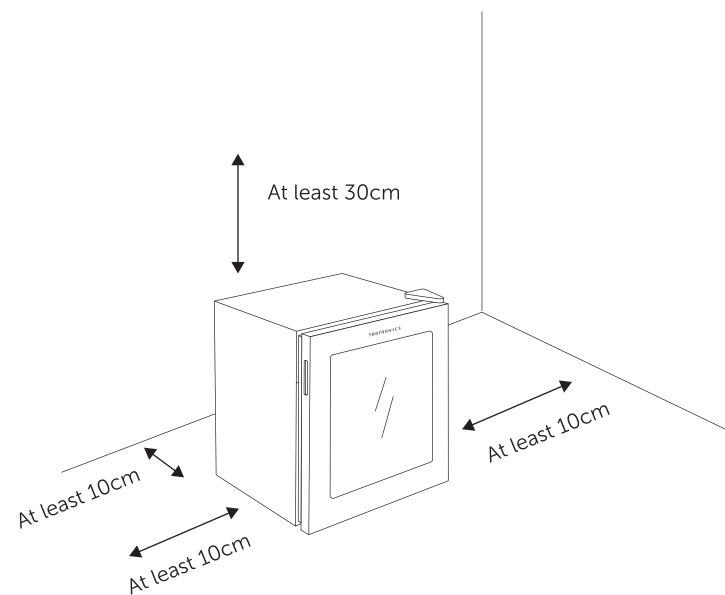
2. Place the cooler in a well-ventilated, indoor environment on flat and sturdy ground (rotate left or right to adjust the wheel to level if unstable).



3. The cooler shall be placed in a room that is dry and well-ventilated. Avoid placing it in direct sunlight or too close to a heat source such as stove, heating radiator, etc. If the cooler has to be put next to heat source, a suitable insulation board shall be applied.

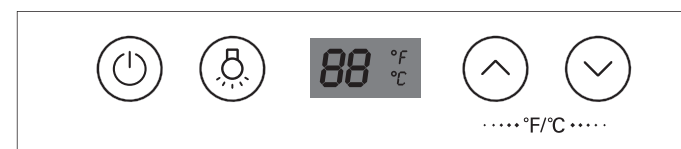


4. For proper heat dissipation, locate the unit at least 30cm of circulation space on top of the unit, and keep a circulation space of at least 10cm on both sides.



Using Your Beverage Cooler

Operations and Functions



Plug into an appropriate voltage AC outlet, the cooler will be turned on with a beep and LED display lighting up for 3 seconds. Your cooler is ready for use now.



Standby Mode

- Press and hold for 3 seconds to turn the cooler OFF with a beep and LED display off (standby mode).
- Press and hold for 3 seconds again to turn the cooler ON with a beep and setting temperature on LED display.


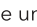


Light Control

- When the unit is on, press to turn the light ON or OFF.



Temperature Setting

- When the unit is on, press  or  to adjust the temperature from 34 to 50°F (1-10°C) in 1°F / °C increments.
- Once set, the cooler will operate under the setting temperature.

°F/°C

Temperature in Degrees Fahrenheit / Celsius

- Press and hold ▲ and ▼ Buttons simultaneously for 5 seconds to switch the temperature display between Fahrenheit and Celsius settings.

Power Off Memory Function

- This cooler is designed with power off memory function. It will always remember your last settings and operate under the settings once you turn it on again.


LED Display

- Shows the default temperature (50°F / 10°C) for the first time power-on.
- Shows the setting temperature (34-50°F / 1-10°C).
- Shows the Malfunction Code if failure occurs.

Malfunction Code	Meaning
E1	Temperature sensor failure
E4	Defrost temperature sensor failure

Note: If any of the above failures occurs, turn off the cooler and unplug it from the electrical outlet. Contact the Customer Support at support@taotronics.com for repair and/or replacement.

Placing the Beverages

- This appliance is intended to be used in households and similar applications, mainly used for the storage of beverages. It's not used for other purposes, such as storage of blood, drugs, and biological products.
- When you start putting beverages inside the cooler, maintain a 4 cm gap between the interior wall of the cooler and the beverages to keep the proper air circulation.
- Do not store explosive substances, such as aerosol cans with flammable propellant, in this appliance.
- Do not put flammable, explosive, volatile, or highly corrosive items in the cooler to prevent damages to the product.
- Do not exceed the storage time recommended by the beverage manufacturers for any kind of beverage.
- Avoid putting warm beverages in the cooler. Put after the beverage has cooled down.
- **IMPORTANT:** For Soda or Soft Drinks, please set the temperature as recommended on the beverage bottles (e.g., 38°F / 3°C). Do not set the temperature too low, or place the soda or soft drinks too close to the interior wall of the cooler.

Specifications

Model	TT-EF001
Input	115V~ 60Hz
Rated Power	65W
Rated Current	0.8A
Total Storage Volume	1.6cu.ft. (45L)

Cleaning and Maintenance

WARNING: Always disconnect the appliance from the mains by switching it off and removing the plug from the electrical outlet before cleaning.

Dusting behind the cooler and on the ground shall be cleaned timely to improve the cooling effect and save energy. The interior of the cooler shall be cleaned regularly to avoid any odor.

1. Turn the cooler "OFF" and unplug it from the electrical outlet. Remove all beverage bottles, shelves, etc.
2. Wipe the outer surface of the cooler with a soft cloth dampened with soapy water, detergent, etc., and then wipe dry. Do not rub or scratch the surface of the glass door to prevent the door from being broken or scratched.
3. Clean the door seal with a soft cloth dampened with soapy water or diluted detergent.
4. Use a soft cloth or sponge to clean the

inside of the cooler with two tablespoons of baking soda and a quart of warm water. Then rinse with water and wipe clean. After cleaning, open the door and dry naturally.

5. For narrow gaps or corners that are difficult to clean, it is recommended to wipe them regularly with a soft cloth, soft brush, etc., and when necessary, combined with some auxiliary tools (e.g., thin sticks) to ensure no containments or bacterial accumulation in these areas.
6. Clean the shelves with a soft cloth dampened with soapy water or diluted detergent. Then rinse with water and dry with a soft cloth or dry naturally.
7. Reconnect the cooler when all parts are clean and dry.

Caution:

- Do not use hard brushes, wire brushes, abrasives, organic solvents, boiling water, acid, or alkaline items as this may damage the cooler surface and interior.
- Do not use soap, detergent, scrub powder, spray cleaner, etc., to clean the inside of the cooler as these may cause odors or contaminate food.
- Do not rinse directly with water or other liquids during cleaning to avoid short circuits or affect electrical insulation after immersion.
- Any other servicing should be performed by an authorized service representative.

Troubleshooting

The following troubleshooting guide addresses the most common problems. If problems persist, contact the Customer Support at support@taotronics.com.

Problem	Possible Causes	Solution
Malfunction Codes on LED Display	E1 - Temperature sensor failure	Unplug it from the electrical outlet and contact TaoTronics Customer Support.
	E4 - Defrost temperature sensor failure	Unplug it from the electrical outlet and contact TaoTronics Customer Support.
Cooler does not start	Cooler is not properly plugged in.	Make sure the cooler is connected to a powered electrical outlet.
	Power failure or no power is passing through the unit.	Check the power, and make sure that your circuit breaker or fuse is working properly.
Cooler is not cool enough	The door is being opened too frequently.	Reduce the frequency and shorten the time of opening the door.
	The cooler is too full of bottles or cans.	Try not to store too many bottles or cans.
LED light does not light up	The cooler is not properly plugged in.	Make sure the cooler is connected to a powered electrical outlet.
	LED light is damaged.	Contact TaoTronics Customer Support.
Condensation on the glass door	The temperature is set too low or too high.	Adjust the temperature and use a soft cloth to wipe away any drops of water.
Loud noise	The cooler is not properly placed.	Place the cooler in a well-ventilated, indoor environment on flat and sturdy ground.
Airflow sound during operation	Refrigerants circulating in the refrigerant lines.	It is normal and will not affect the cooling effect and operation.

Warranty and Service

This product is covered with TaoTronics product and labor warranty for 12 months from the date of its original purchase. If any problems occur, please contact the TaoTronics Customer Care Centre via the contact information listed in this User Guide.

We can only provide after sales service for products that are sold by TaoTronics or TaoTronics authorized retailers and distributors. If you have purchased your unit from a different place, please contact your seller for return and warranty issues.