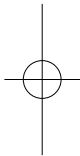




尺寸：210*148mm

骑马钉

封面128g铜版纸，内页80g书纸



 **TAOTRONICS**
www.taotronics.com



E-mail:
support@taotronics.com

MANUFACTURER
Manufacturer: Shenzhen NearbyExpress Technology Development Co.,Ltd.
Address: Floor 7, Building E, Galaxy World Phase II, Shenzhen, China

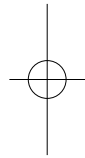
Model: TT-CL026
TaoTronics LED Stand Light
User Guide



Rev_1.1_EN



Contents

- 01** **IMPORTANT SAFETY INSTRUCTIONS**
 - 02** **Features**
 - 03** **In The Box**
 - 04** **Knowing Your Stand Light**
 - 05** **Assembly Instruction**
 - 10** **Using Your Stand Light**
 - 13** **Cleaning and Maintenance**
 - 13** **Caution**
 - 14** **Troubleshooting**
 - 14** **Specifications**
 - 15** **Warranty**
- 



Thank you for choosing the TaoTronics LED Stand Light. Please read this User Guide thoroughly before use and retain it for future reference.

IMPORTANT SAFETY INSTRUCTIONS

READ AND FOLLOW ALL SAFETY INFORMATION AND INSTRUCTIONS. KEEP FOR FUTURE REFERENCE.

CAUTION

- To ensure correct and safe usage and functioning of the product, always follow these instructions carefully and keep for future reference.
- Please keep the light away from water or any other liquid to avoid electrical shock.
- Do not look directly into the light to avoid any injuries.
- This appliance is not intended for use by persons (including children) with reduced physical, sensory or mental capabilities, or lack of experience and knowledge, unless they have been given supervision or instruction concerning the use of the appliance by person responsible for their safety.
- Do not allow to be used as a toy. Close attention is necessary when used by or near children. Children should be supervised to ensure that they do not play with the product or remote shutter.
- Do not operate any light with a damaged cord or after malfunction occurs, or damaged in any manner. Discard the light, or return it to an authorized service facility for examination or repair.
- Keep away from heat and avoid direct sunlight.
- Do not try to repair or dismantle the light by yourself.
- Keep the equipment out of reach of children or infants, avoid strangulation caused by the adapter cable.
- Switch off the device when it is not in use.
- Switch off the device before assembly and maintenance and disconnect from power supply by unplugging the USB power cord.
- Do not operate the device with wet hands.
- Follow local ordinances and recycling instructions regarding disposal or recycling of the device and device components.
- If you have any product problems or report an unexpected situation during use, please

contact the Customer Support at **support@TaoTronics.com**.

- THIS IS AN ELECTRIC LAMP - NOT A TOY!

TO AVOID RISK OF FIRE, BURNS, PERSONAL INJURY AND ELECTRIC SHOCK IT SHOULD NOT BE PLAYED WITH OR PLACED WHERE SMALL CHILDREN CAN REACH IT

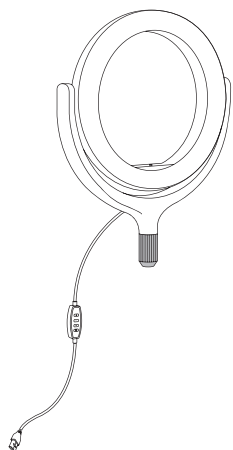
READ AND SAVE THESE INSTRUCTIONS

Features

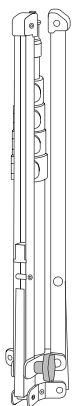
Your new TaoTronics LED Stand Light is a perfect light source for portrait and beauty photography with many features and benefits:

- 3 Color Lighting Modes: Cool White, Warm White and Warm Yellow
- Stepless adjustment of color temperature and brightness
- Upgraded tripod stand for increased stability
- Adjustable phone holder, compatible with almost every smart phone
- 360° rotation for any shooting angle without limitations
- Bluetooth Remote Shutter for easy shooting experience

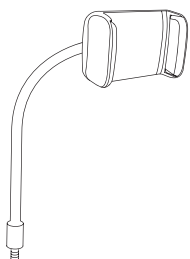
In The Box



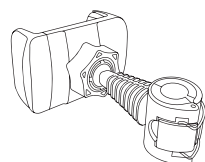
1 x 10" LED Ring Light with USB Power Supply (TT-CL026)



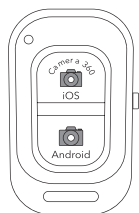
1 x Adjustable Tripod Stand



1 x Tripod Mount Phone Holder



1 x Flexible Phone Holder



1 x Bluetooth Remote Shutter

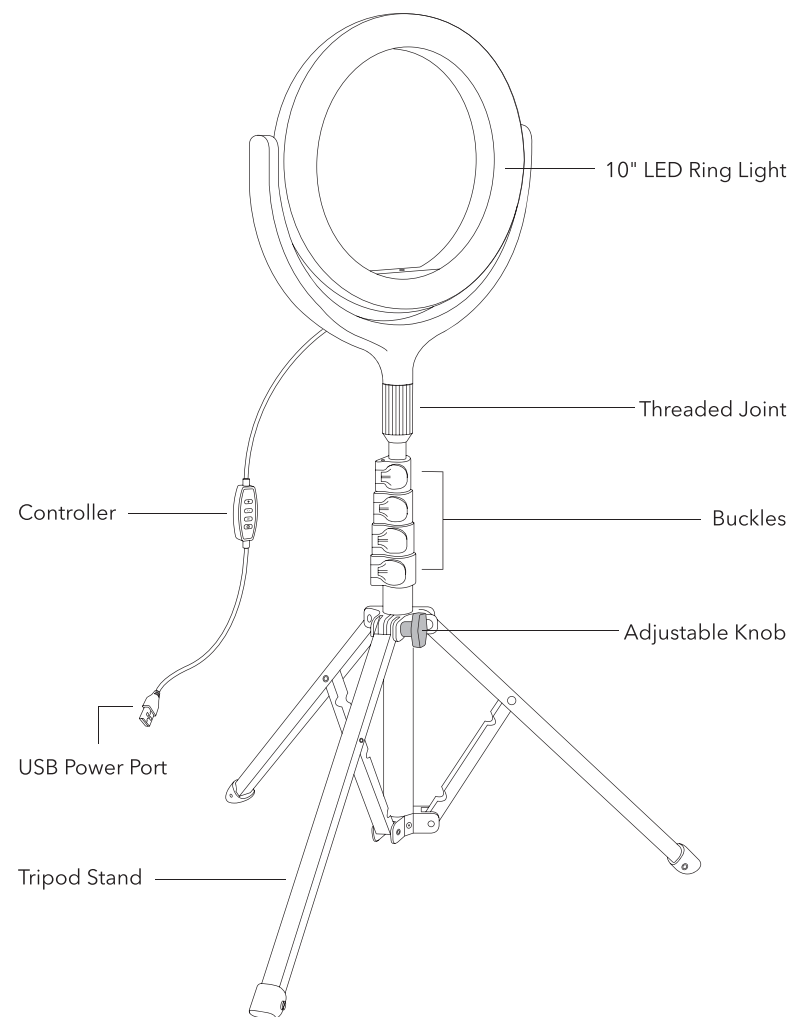


1 x User Guide



1 x Thank You Card

Knowing Your Stand Light



10" LED Ring Light

Threaded Joint

Buckles

Adjustable Knob

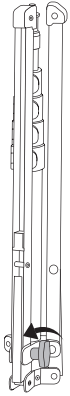
Controller

USB Power Port

Tripod Stand

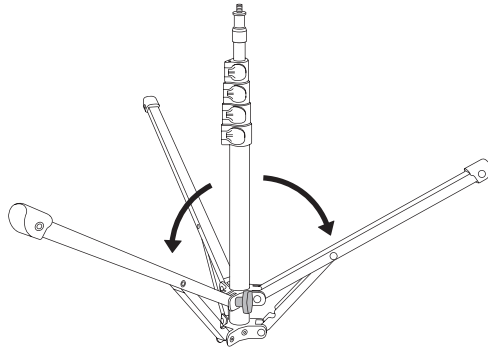
Assembly Instruction (Tripod)

1



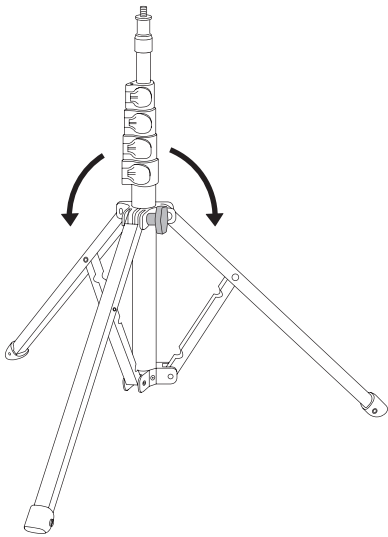
Loosen the Adjustable Knob.

2



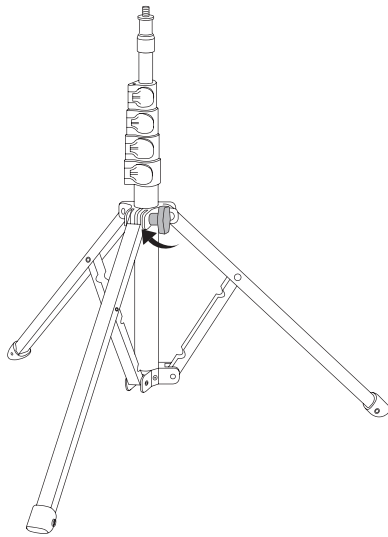
Unfold the tripod legs.

3



Adjust the tripod legs.

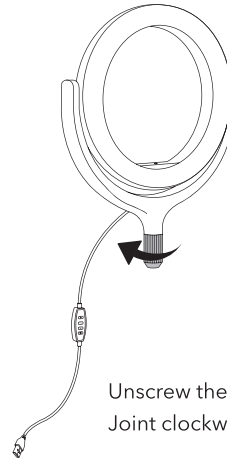
4



Screw the knob tight.

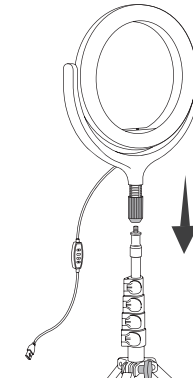
Assembly Instruction (Ring Light)

1



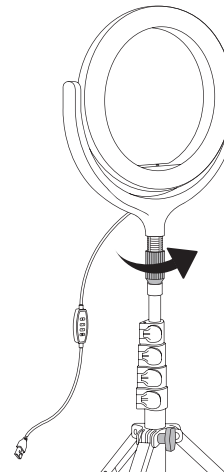
Unscrew the Threaded Joint clockwise.

2



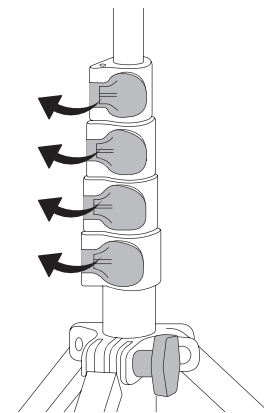
Fully insert the Ring Light.

3



Screw the threaded joint tight.

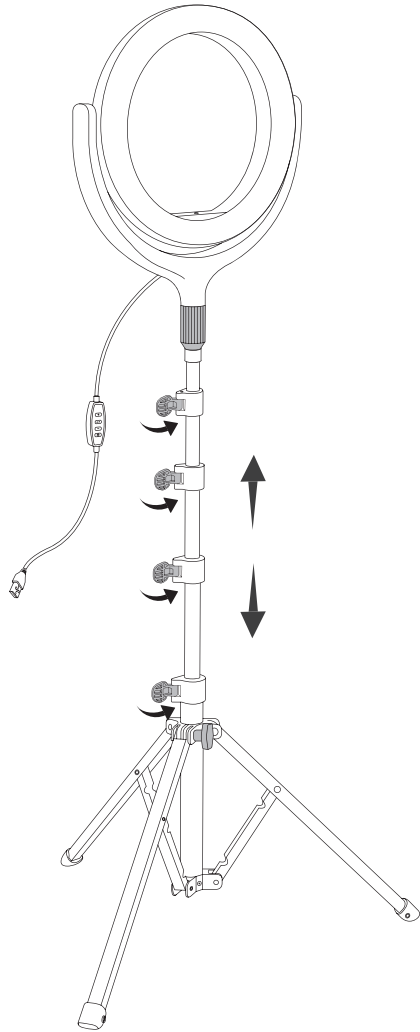
4



Loosen the buckles.

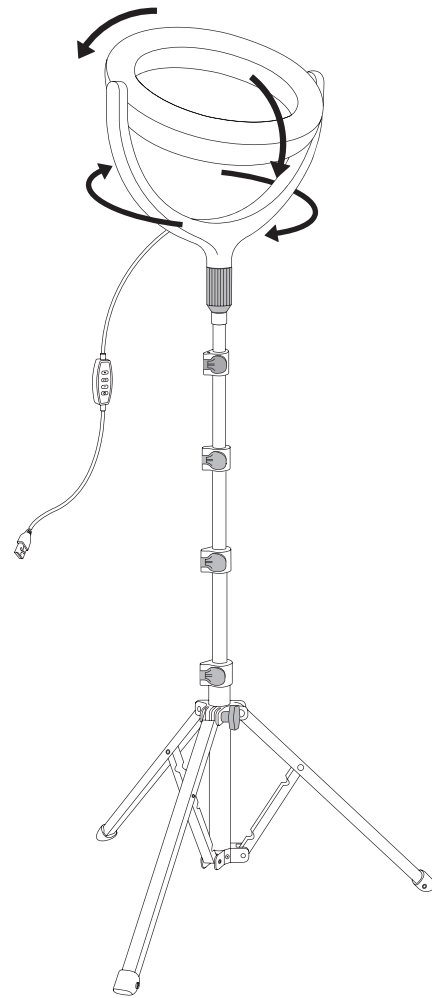
Assembly Instruction (Ring Light)

5



Adjust to your desired height and lock to its place.

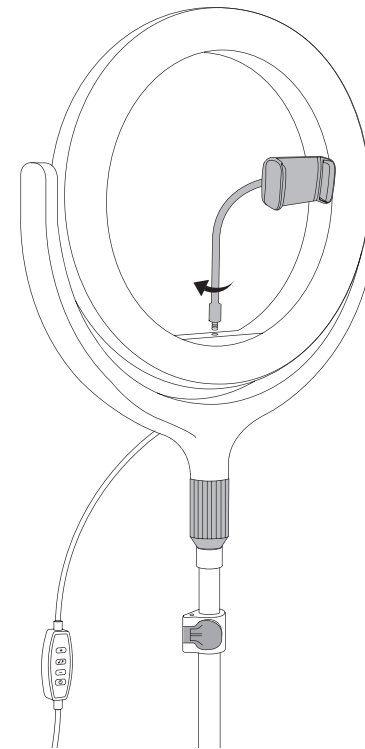
6



Adjust to your desired angle.

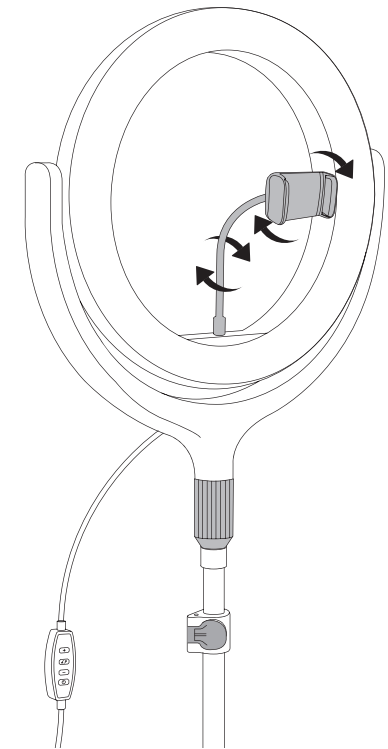
Assembly Instruction (Tripod Mount Phone Holder)

1



Hold the ring light and screw the tripod mount phone holder onto it.

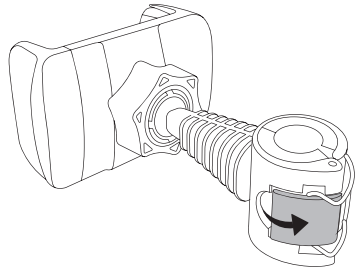
2



Adjust to your desired angle (360 rotation).

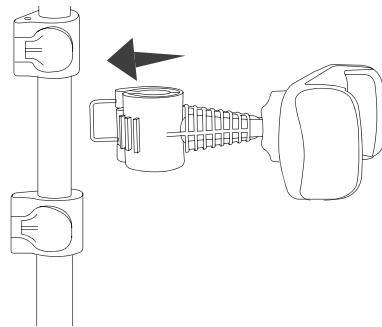
Assembly Instruction (Flexible Phone Holder) - Optional

1



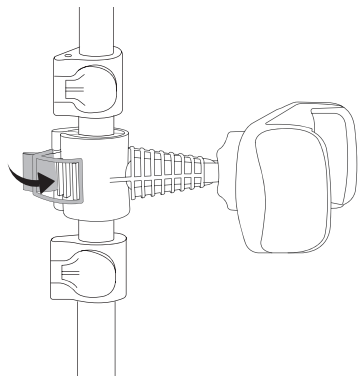
Open the clip on the end of flexible phone holder.

2



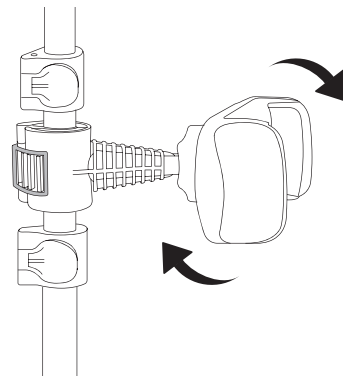
Install it onto the desired position of the tripod pole.

3



Lock to its place.

4

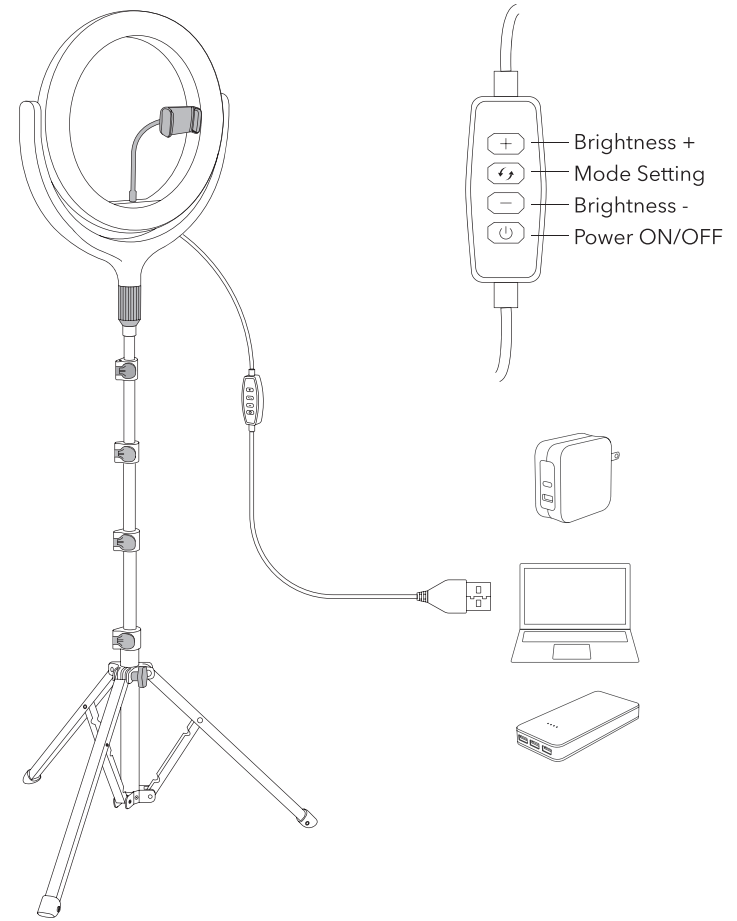


Adjust to your desired angle (360 rotation).

Using Your Stand Light

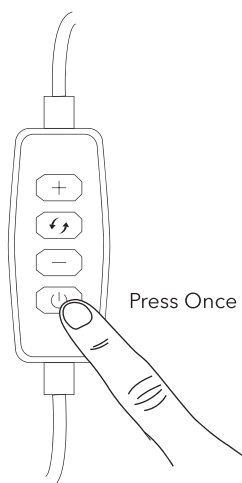
Getting Started

1. Place the stand light on a flat and stable surface.
2. Connect the USB power port (5V \Rightarrow 2A) to any USB charging adapter, power bank or active computer USB port. The power indicator on the controller will light up blue.



Using Your Stand Light

Power ON / OFF



Brightness Adjustment

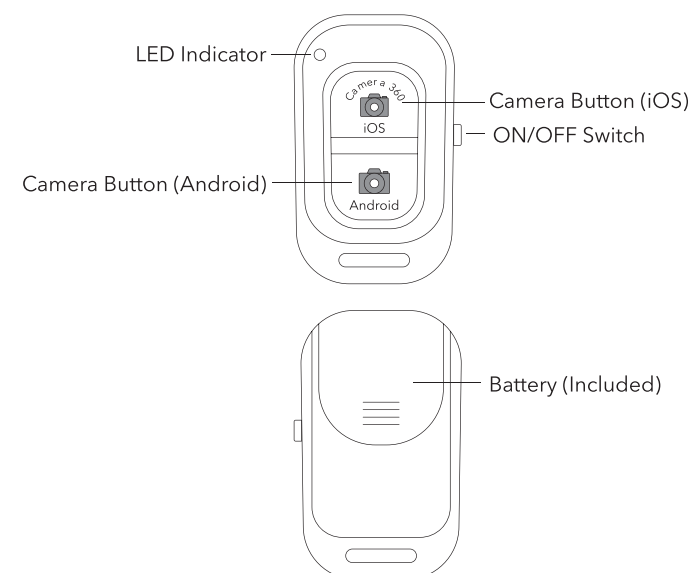
- When the stand light is on, repeatedly press + or - to adjust the brightness by step (10%~100%).
- Or press and hold + or - to steplessly adjust the brightness.

Lighting Mode Setting

- When the stand light is on, repeatedly press ↔ to cycle through Cool White -> Warm White -> Warm Yellow lighting modes.

Wireless Control

A Bluetooth remote shutter is provided for easy shooting experience with both iOS and Android phones (effective coverage of 10m/30 feet). You can easily control the phone to take selfies or record videos using one hand.



1. Toggle the switch to ON, the remote shutter is turned on with the LED indicator flashing blue quickly.
2. Turn on the Bluetooth function on your phone and search for "TaoTronics Selfie", tap on the name to connect. Once connected, the LED indicator will turn off.
3. Turn on Camera on your phone, and then press the corresponding Camera Button (iOS or Android) to take photos.

Note: If pairing failed or no operation is done in 10 minutes, the remote shutter will enter standby mode. Press the Camera Button once again to wake it up.

Cleaning and Maintenance

- Always unplug the USB power port before cleaning.
- To avoid the risk of electric shock, do not clean the stand light or the power cord with water and do not immerse them.
- Clean the stand light or tripod stand with a soft damp cloth on a regular basis.
- When not in use for a long period of time, it is recommended to detach the stand light, then store the stand light and tripod stand in a cool, dry location.

Caution

- Do not disassemble the device without authorization.
- Do not store the product in a high temperature environment.
- For enough brightness, please ensure an input power of 5V \Rightarrow 2A by USB power supply.
- To avoid any damage to the tripod stand, do not place excessive force on it.
- When adjusting the tripod stand, make sure the knob is unscrewed and the buckles are unlocked. When using the tripod stand, make sure the knob is tightened and the buckles are locked.

Troubleshooting

The following troubleshooting guide addresses the most common problems. If problems persist, contact the Customer Support at support@TaoTronics.com

Problem	Possible Cause	Solution
Not enough brightness	Insufficient input power	For enough brightness, please ensure an input power of 5V \Rightarrow 2A by USB power supply.
The stand light does not light up	No power supply	Correctly connect to an active power port.
	The stand light is not turned on	Refer to the Using Your Stand Light section.
LED failure	LED component failed	Please contact the TaoTronics Support Team.
The tripod stand is not stable	Not correctly installed	Make sure the knob is tightened and the buckles are locked to its place.

Specifications

Model	TT-CL026
Ring Light Size	10 inch
Power	10W
Input	USB 5V \Rightarrow 2A
LED Qty	96
Lifespan	>20000 Hours
Tripod Stand Extendable Height	420-1550mm/16-61inch
Color Temperature	Cool White: 5800K-6500K Warm White: 4100-4700K Warm Yellow: 2700-3300K
Remote Battery	CR2032, 3V

Warranty

TaoTronics products are covered by a 12 month limited warranty from the date of its original purchase. If any problems occur, please contact TaoTronics Customer Care Centre via the contact information listed in this User Guide.

FCC Compliance

This device complies with Part 15 of the FCC Rules. Operation is subject to the following two conditions:

- (1) This device may not cause harmful interference, and
- (2) This device must accept any interference received, including interference that may cause undesired operation.