

尺寸：140mm\*210mm

骑马钉

封面封底128g铜版纸，内  
页80g书纸。

蓝色CMYK：C=80；M=12  
；Y=10；K=0



# AIR PURIFIER

Breathe Fresh & Cleaner Air

**TAOTRONICS**



[www.taotronics.com](http://www.taotronics.com)

TT-AP005

User Manual

# THANK YOU

FOR BEING OUR CUSTOMER



Your purchase is truly appreciated!  
We hope you are over-the-moon with our product!

# CONTENT

---

1 IMPORTANT SAFETY INSTRUCTIONS	01
2 BEFORE USE	05
3 USING YOUR AIR PURIFIER	09
4 CLEANING & MAINTENANCE	16
5 FAQ	19
6 Warranty and Service	22

# 1

## IMPORTANT SAFETY INSTRUCTIONS

---

In with TAOTRONICS  
Air Purifier,  
Out Comes Extra  
Freshness.

# IMPORTANT SAFETY INSTRUCTIONS

## BEFORE USING THIS APPLIANCE READ ALL INSTRUCTIONS AND CAUTIONARY MARKINGS IN YOUR USER MANUAL AND ON THE APPLIANCE

When using an electrical appliance, basic precautions should always be followed, including the following:

### INTENDED USE



This appliance is not intended for use by persons (including children) with reduced physical, sensory or mental capabilities, or lack of experience and knowledge, unless they have been given supervision or instruction concerning the use of the appliance by person responsible for their safety.

Close supervision is necessary when any appliance is used by or near children. Children should be supervised to ensure that they do not play with the appliance. Cleaning and user maintenance shall not be done by children unless they are older than 8 and supervised.

Use the appliance only for intended household purposes as described in this User Manual. Any other use is not recommended that may cause fire, electric shock, or injury to persons.



**DO NOT** use the filter as fuel or for similar purposes.

### ELECTRICITY SAFETY



To avoid fire or shock hazard, plug the appliance directly into a right AC electrical outlet. This appliance must be provided with correct voltage via a professionally installed power socket. Make sure the voltage indicated on the label of the appliance is the same as your local supply.

Keep the cord out of heavy traffic areas and where it will not be tripped over.



**DO NOT** operate the appliance if the plug, the main cord or the appliance itself is damaged. Always make sure that the plug is inserted properly into a wall outlet.

**DO NOT** plug in the appliance or operate the control panel with wet hands.

**DO NOT** immerse air purifier in water or liquids. Doing so may result in damage to the appliance, electric shock, or fire.

**DO NOT** use an extension cord with this unit.

### RELATED TO USE



Always unplug the air purifier before moving it, opening the grille, changing filters, cleaning or whenever the air purifier is not in use.

Always make sure to place the air purifier on a flat, level surface before operation.

Be sure to pull by the plug, not the cord.



**NEVER** drop or insert any objects into any openings.

**DO NOT** attempt to repair or adjust any electrical or mechanical functions on this unit. Doing so will void your warranty. The inside of the unit contains no user serviceable parts. All servicing should be performed by qualified personnel only.

**DO NOT** use the air purifier in an enclosed space where flammable, combustible or explosive gases are present.

**DO NOT** sit, stand or place heavy objects on the appliance.

### PLACING THE UNIT



Always place and use the appliance on a dry, stable, level, and horizontal surface. Make sure the appliance cannot be easily knocked over by a person or object.



**DO NOT** place the unit directly on or against soft furnishings, such as bedding or curtains, as this could cause the unit to block the air inlet or outlet.

**DO NOT** place the appliance directly below an air conditioner to prevent condensation from dripping onto the appliance.

**DO NOT** use the air purifier in wet or humid environments.

## REGULAR CHECK

Have your Air Purifier checked regularly for any sign of malfunction!

Check if

- Plug, cord or appliance is damaged.
- Excessive noise, unpleasant odor or abnormal heat.

Stop using, check **FAQ** and contact **TaoTronics Support Team**.

# 2

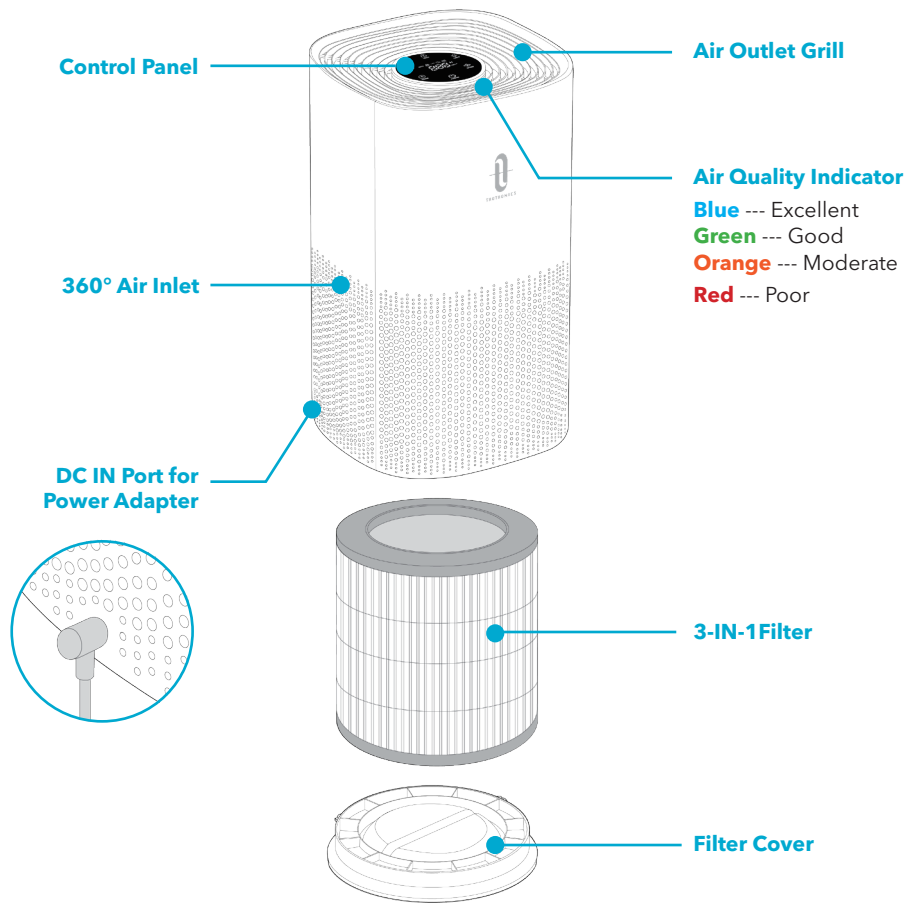
## BEFORE USE

---

In with TAOTRONICS  
Air Purifier,  
Out Comes Extra  
Freshness.

**FOR HOUSEHOLD USE ONLY**  
**READ AND SAVE THESE**  
**INSTRUCTIONS**

# Knowing Your Air Purifier



## Specifications

Voltage	DC24V	Rated Power	US / CA: 29W
Recommended Applicable Area		20-30 m <sup>2</sup> / 215-323 ft <sup>2</sup>	

## HEPA Filter

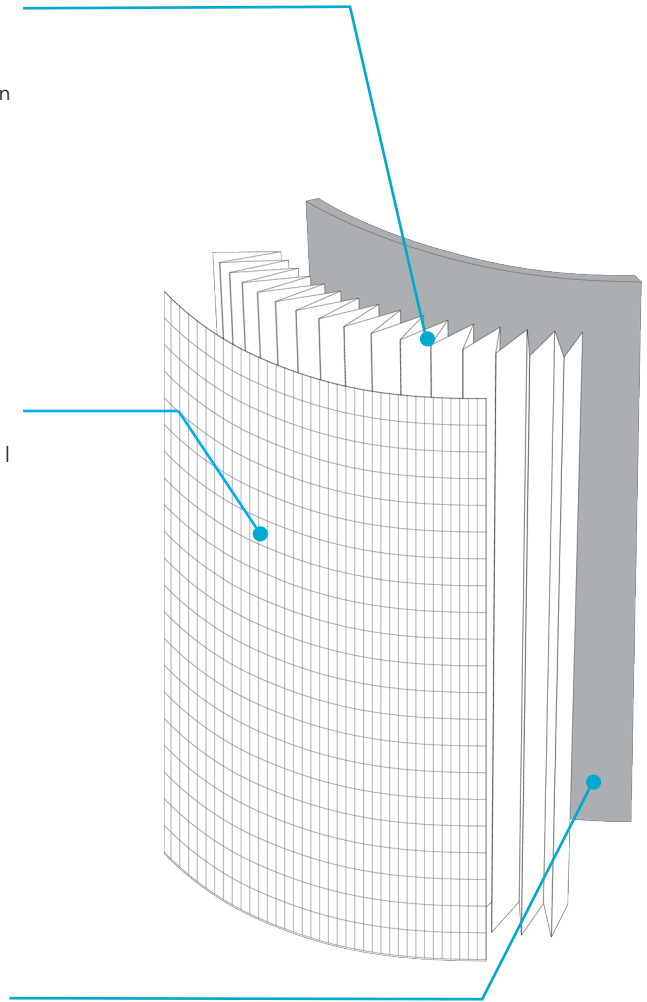
Captures and reduces up to 99.97 % of airborne particles, pollen and other allergens.

## Pre-Filter

Captures large particles like hair, pet dander and dust.

## Active Carbon Filter

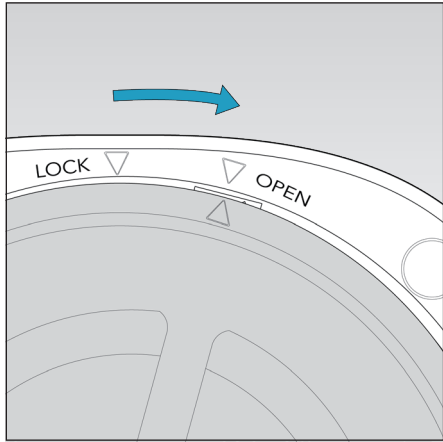
Removes household odors and noxious gases.



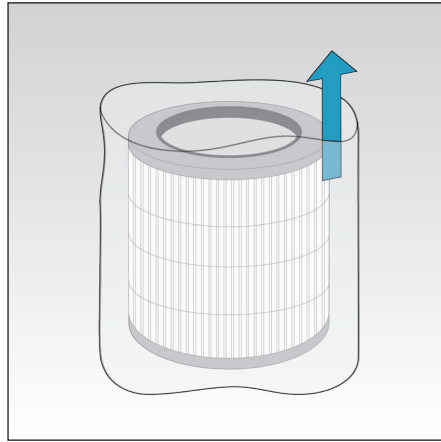
It is recommended to replace the filter every 3 months (depending on the frequency of use and air quality).



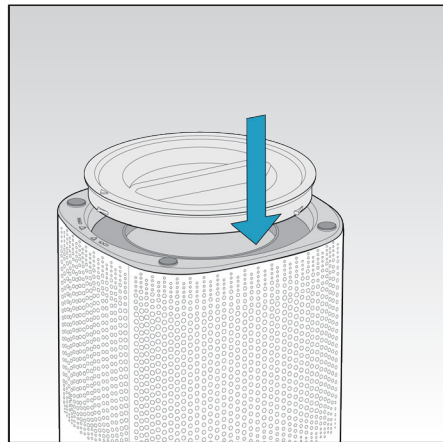
## Setting Up Filter



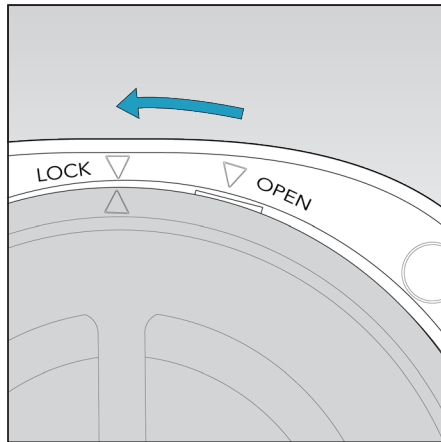
1. Flip over and twist the filter cover to **OPEN**.



2. Take out filter, remove from its packaging.



3. Place the filter and cover back.



4. Align the triangle marks (▼&▲) and twist to **LOCK** to lock the cover.

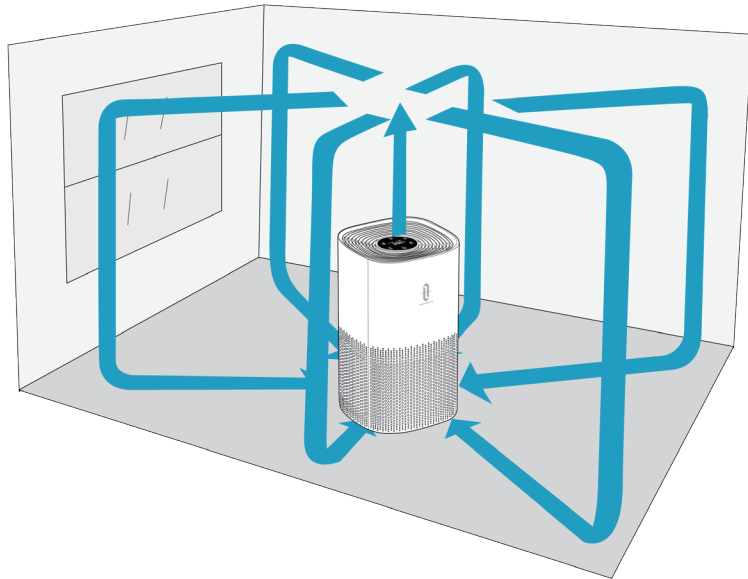
# 3

## USING YOUR AIR PURIFIER

---

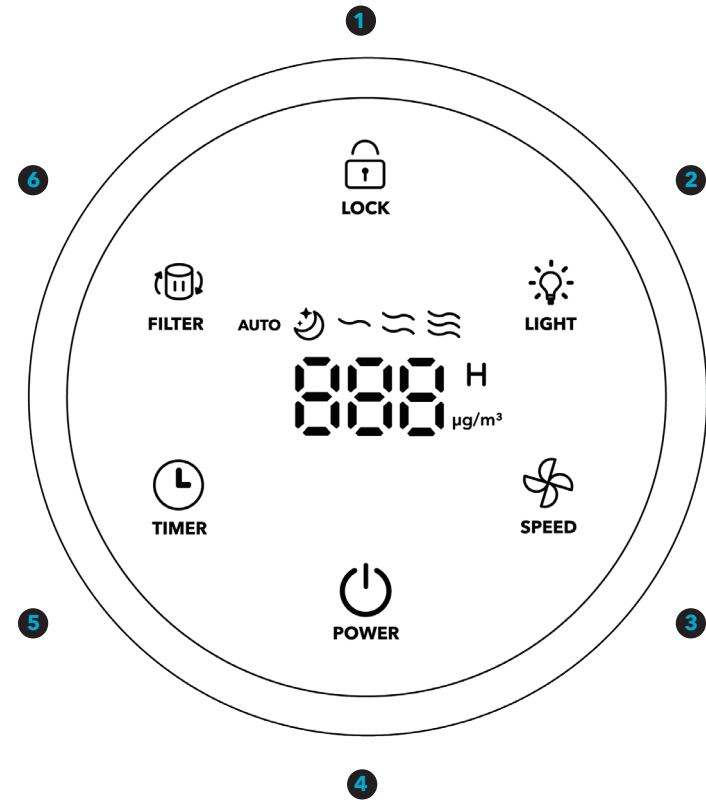
In with TAOTRONICS  
Air Purifier,  
Out Comes Extra  
Freshness.



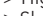


# Getting the Most from Air Purifier



1. Leave enough circulation space (15 in / 38 cm) around the unit.
2. Close your doors and windows.
3. Run at maximum speed for at least 30 minutes when turned on.
4. Open windows regularly for ventilation.

# Control and Functions



- |   |  |  |
|---|--|--|
| <p><b>1 Child Lock</b><br/>Turns on Lock function to prevent mis-operation.</p> | <p><b>2 Light ON / OFF</b><br/>Turns the indicators on/off.</p>                            | <p><b>3 Fan Speed</b><br/>Cycles through Low  -&gt; Medium  -&gt; High  -&gt; Auto  -&gt; Sleep .</p> |
| <p><b>4 Power ON/OFF</b><br/>Turn on/ Standby mode</p>                          | <p><b>5 Auto OFF Timer</b><br/>Cycles through 2H -&gt; 4H -&gt; 8H -&gt; 12H -&gt; 0H.</p> | <p><b>6 Filter Reset Indicator</b><br/>Flashes when the filter shall be replaced.</p>  |

## **POWER ON/OFF**

- 1.Plug into an appropriate electrical outlet.
2. Tap **POWER** to turn on the air purifier. Tap it again to turn off after using.

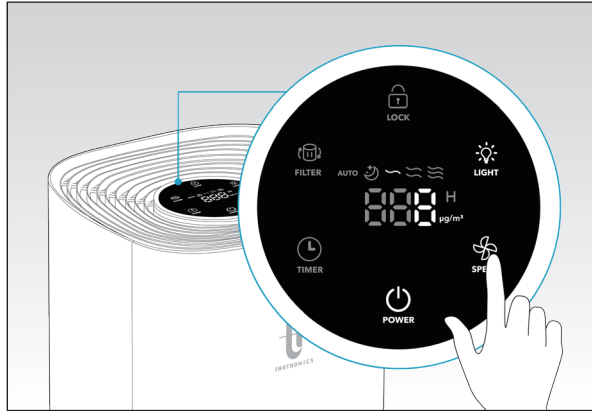


## **FAN SPEED CONTROL**

When the unit is on, tap **SPEED** repeatedly to cycle through the adjustable fan speeds: Low ~->Medium ~->High ~-> Auto **AUTO** ->Sleep ~.

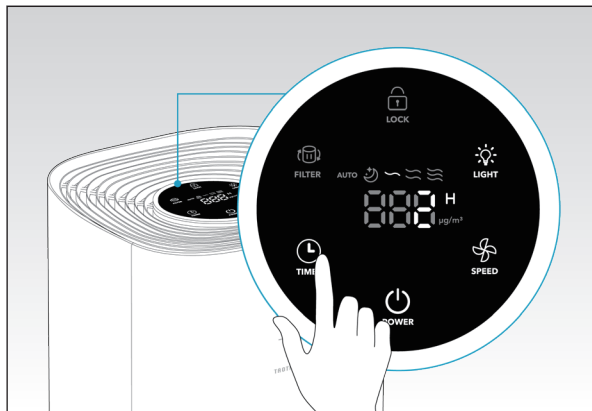
### **\*AUTO MODE**

- 1.Tap **SPEED** repeatedly to select **AUTO** Mode.
- 2.When **AUTO** Mode is enabled, the fan speed is adjusted intelligently according to the air quality.



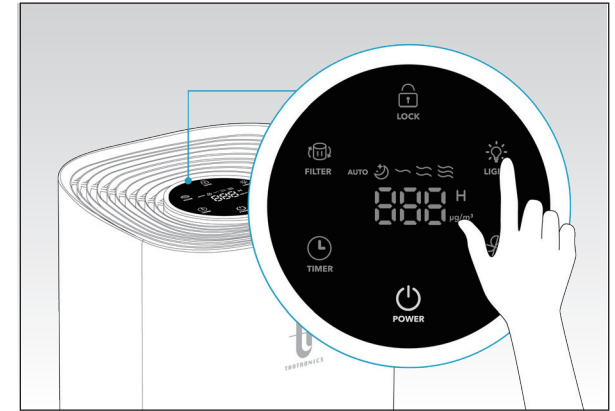
## **AUTO OFF TIMER**

- 1.When the unit is on, tap **TIMER** repeatedly to cycle through 2H -> 4H -> 8H -> 12H ->Timer OFF. To cancel, tap repeatedly to Timer **OFF** or turn off the unit. The timer will flash three times to confirm your setting.
2. When time reaches zero, the air purifier will go into standby mode.



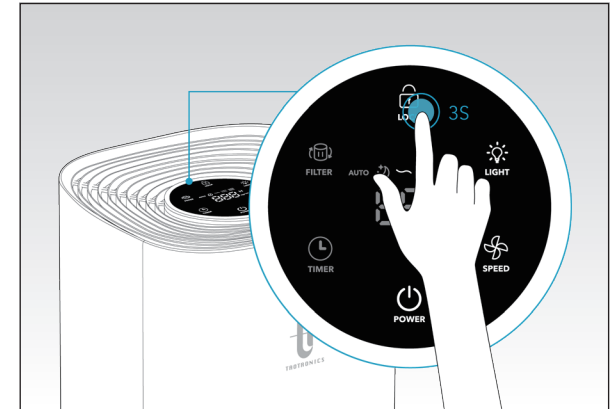
## **LIGHT ON / OFF**

- 1.When the unit is on, all the indicators will stay on. Tap **LIGHT** to turn off all indicators (**POWER** icon in 50% brightness).
- 2.Tap any icon to wake up the display.



## **CHILD LOCK**

- 1.When the unit is on, hold **LOCK** for 3 seconds to turn on or off the Lock function.
- 2.To turn on or off the Lock function when display is off, tap any icon to wake up the display first.



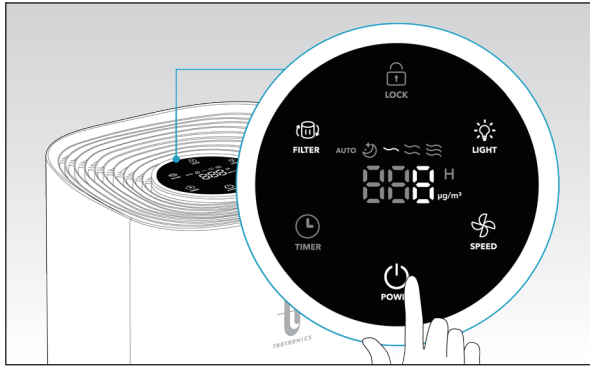
## **Memory Function**

The air purifier will always remember your last settings (except timer) when turned off, and will resume these settings when it is turned back on.

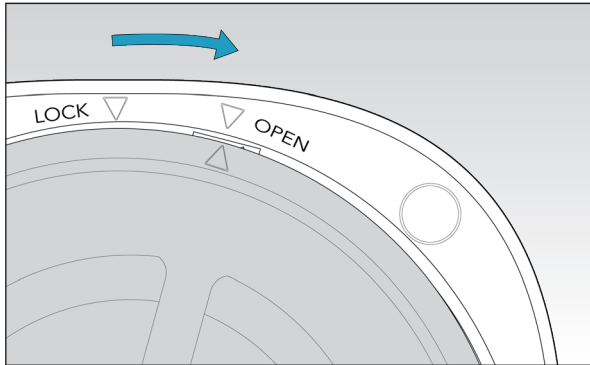
## Replacing the Filter

It is recommended to replace the filter every 3 months (depending on the frequency of use and air quality).

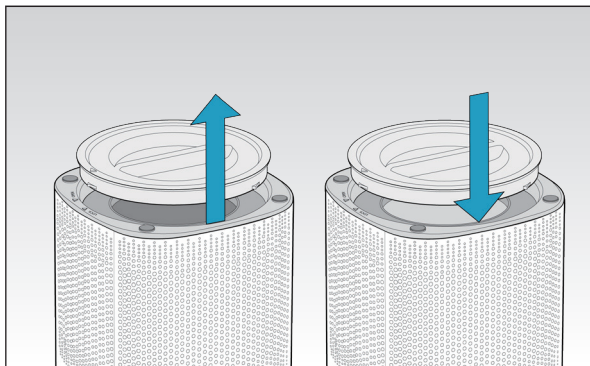
1. **Filter Reset Indicator** will flash as a reminder to replace the filter. Turn off and unplug the air purifier.



2. Flip over and twist the filter cover to **OPEN**.



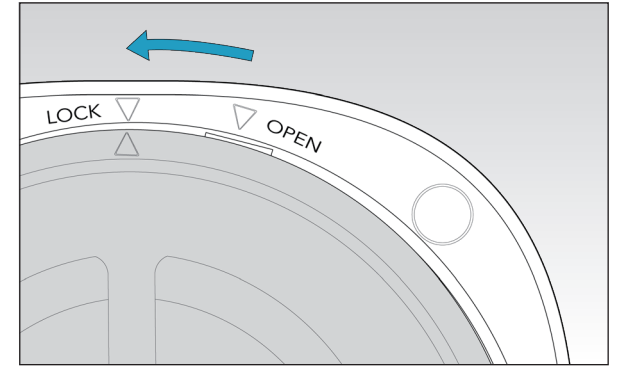
3. Remove the old filter, replace with a new one.



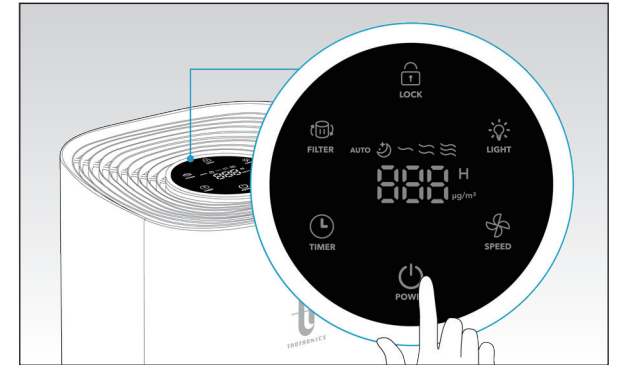
### NOTE:

Always make sure the air purifier is turned off and unplugged before cleaning.

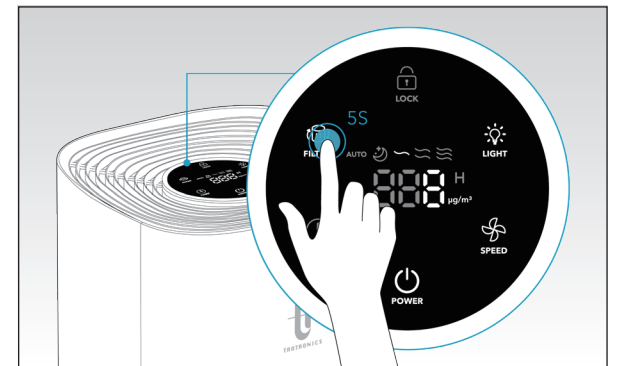
4. Align the triangle marks (▼&▲) and twist to **LOCK** to lock the cover.



5. Plug in and tap **POWER** to turn on.



6. Hold **FILTER** for 5 seconds to reset the filter.

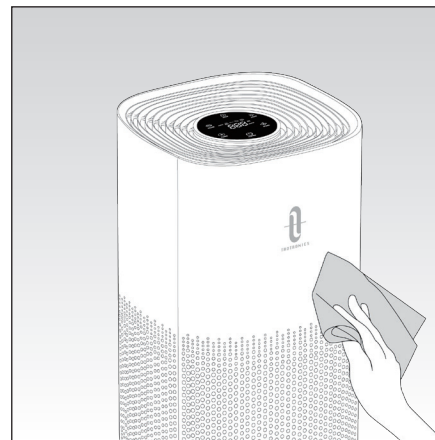


# 4

## CLEANING & MAINTENANCE

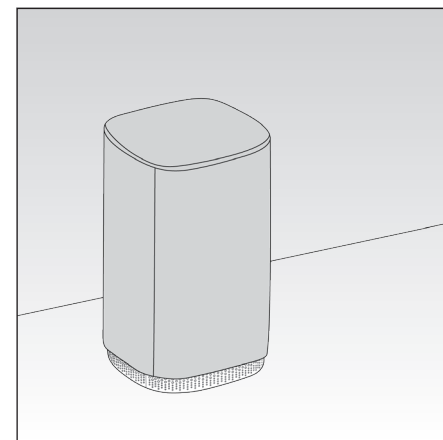
In with TAOTRONICS  
Air Purifier,  
Out Comes Extra  
Freshness.

### Outer Surface



Wipe with a soft, dry cloth. If necessary, wipe with a damp cloth, then immediately dry.

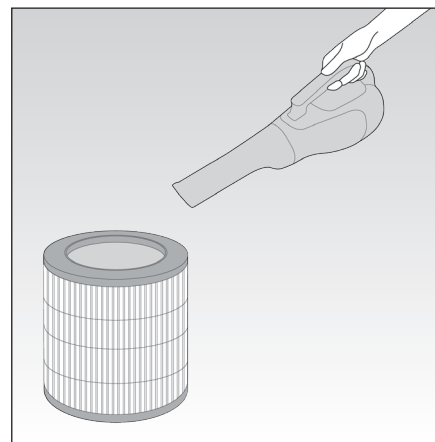
### Storage



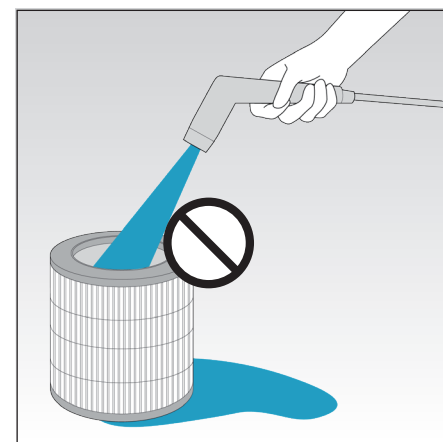
For storage, you may leave the unit covered to protect it from dust. Store it in a cool, dry location.

### Pre-Filter

Clean the pre-filter when particulate matter are visible or excessive noises are heard.



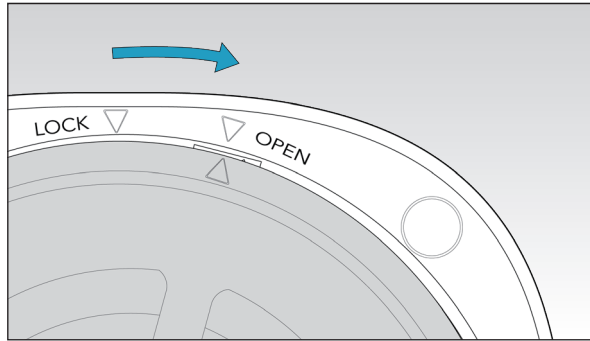
1. Clean with a vacuum cleaner once every two weeks. Do not closely attach to the filter.



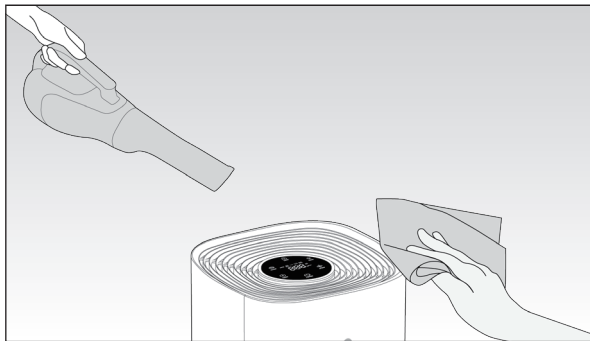
2. Do not wash.

## Air Inlet & Outlet Grill

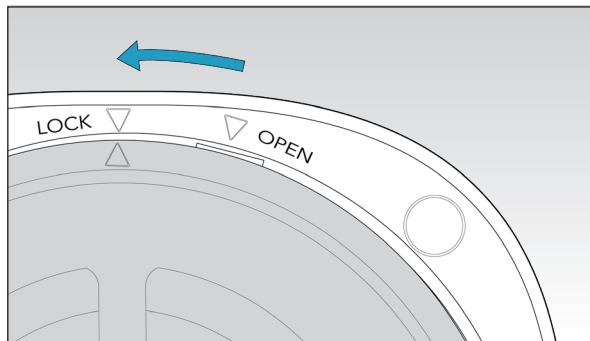
1.Unlock, remove top cover and filter.



2.Vacuum up dust with a vacuum cleaner or wipe it with a cloth.



3.Install all parts back and lock to place.



# 5

## TROUBLE SHOOTING

In with TAOTRONICS  
Air Purifier,  
Out Comes Extra  
Freshness.

### NOTE:

1. **Always make sure the air purifier is turned off and unplugged before cleaning.**
2. **DO NOT** stick any foreign objects or your fingers inside of the unit.
3. Never immerse in water or allow water to drip into the motor housing.
4. **DO NOT** clean with abrasive chemicals or flammable cleaning agents.

# Troubleshooting

The following troubleshooting guide addresses the most common problems. If problems persist, feel free to contact the Customer Support at support@taotronics.com.

## Related to Filter

### Q1:Where can I purchase a new filter?

**A1:**Purchase from TaoTronics Website: www.taotronics.com.

### Q2:When to replace the filter?

**A2:Filter Reset Indicator will flash as a reminder to replace the filter.** It is recommended to replace the filter every 3 month (depending on the frequency of use and air quality).

### Q3:What pollutants can be filtered?

**A3:**More information about the filter, please refer to "Your Air Purifier" section.

### Q4:What is the optimum application area for this air purifier? Is it applicable to multi-rooms or rooms on different floors?

**A4:**Recommended room size: 20-30 m<sup>2</sup> / 215-323 ft<sup>2</sup>.  
Multi-rooms: Keep the door open for enough circulation.  
Rooms on different floors: not recommended.

### Q5:Does this air purifier come with Auto Display OFF function?

**A5:**You can tap LIGHT to turn off all indicators (see Using Your Air Purifier).

### Q6:Does this air purifier come with memory function?

**A6:**The air purifier is designed with Memory Function. If power is not disconnected, the unit will remember your last settings (except timer) when turned off, and will resume these settings when it is turned back on.

## Related to Use

### Q7:Insufficient airflow.

**A7:**1.Fan speed is on low setting. Press SPEED to adjust the fan speed.  
2.Leave enough circulation space (15 in / 38 cm) around the unit.  
3.Filter is clogged and not replaced. Please replace the filter.

### Q8:Poor air purification quality.

**A8:**1.Leave enough circulation space (15 in / 38 cm) around the unit.  
2.Select the right air purifier as per the actual room size.  
3.Air intake or outlet is blocked. Remove objects blocking air intake or outlet.  
4.Filter is clogged and not replaced. Please replace the filter.

## Related to Abnormalities

### Q10:Unpleasant odor is produced.

**A10:**First,locate the odor produced.  
For smell of burning from internal: Contact TaoTronics Support Team.  
For peculiar smell in air: Clean the unit, then run under Turbo mode for more than 2 hours. If still persists, contact TaoTronics Support Team.  
For mildew or dirty filter: Replace the filter.

### Q11:Filter Reset Indicator does not turn off.

**A11:**The air purifier has been reset incorrectly. Replace the filter and reset by pressing the **Filter Reset Button**.

### Q12:Excessive noise is produced.

**A12:**1.Make sure the filter packaging has been removed before use.  
2.Foreign objects inside the unit.Immediately discontinue use and contact TaoTronics Support Team. **DO NOT** attempt to disassemble the air purifier.

### Q13:Air purifier does not power on or respond to button controls.

**A13:**1.Power socket is not working properly. Try plugging the air purifier into a different outlet.  
2.Power cord is damaged or air purifier is malfunctioning. Immediately stop using and contact TaoTronics Support Team.

## WARRANTY AND SERVICE

This product is covered with TaoTronics product and labor warranty for 12 months from the date of its original purchase.

The warranty will not apply in cases of:

- Accident, misuse, or repairs performed by unauthorized personnel.
- Any unit that has been tampered with or used for commercial purpose.
- Normal wear and tear of wearable parts.
- Use of force, damage caused by external influences.
- Damage caused by non-observance of the User Guide, e.g. connection to an unsuitable mains supply or non-compliance with the instructions.
- Partially or completely dismantled appliances.
- Defects caused by or resulting from damages from shipping or from repairs, service, or alteration to the product or any of its parts that have been performed by a repair person not authorized by TaoTronics.

We can only provide after sales service for products that are sold by TaoTronics or TaoTronics authorized retailers and distributors. If you have purchased your unit from a different place, please contact your seller for return and warranty issues.

\*Please have your invoice and order ID ready before contacting Customer Support.

## FCC COMPLIANCE

This device complies with Part 15 of the FCC Rules. Operation is subject to the following two conditions:

- (1) This device may not cause harmful interference, and
- (2) This device must accept any interference received, including interference that may cause undesired operation.



MADE IN CHINA



E-mail: [support@taotronics.com](mailto:support@taotronics.com)

Website: [www.taotronics.com](http://www.taotronics.com)



Manufacturer: Shenzhen NearbyExpress Technology Development Co.,Ltd.

Address: Floor 7, Building E, Galaxy World Phase II, Shenzhen,China