

尺寸：140mm*210mm

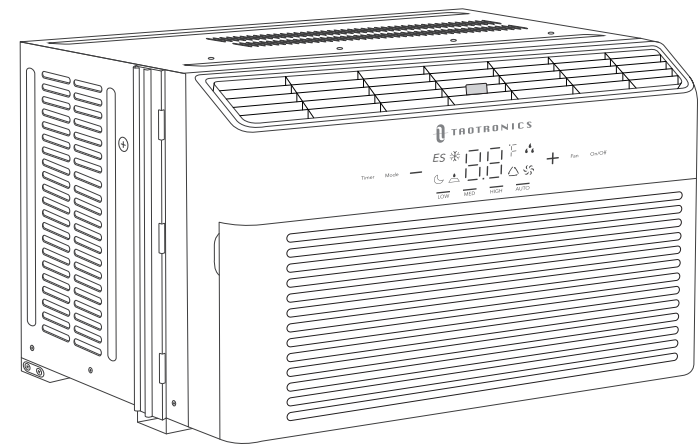
骑马钉

材质：封面128g铜版纸，内页80g 书纸



WINDOW AIR CONDITIONER

TAOTRONICS



Questions or Concerns?

support@taotronics.com

Model: TT-AC003

User Manual

Contents

IMPORTANT	01
Safety Precautions	06
Preparation for Operation	07
Package Contents	07
Window Types and Requirements	09
Requirements before Installation	10
Install Your Air Conditioner.....	12
Product Diagram	20
Specifications	20
Control Panel	21
Remote Control	23
Air Direction Adjustment	25
Clean and Maintenance	26
Troubleshooting	28
Warranty and Service	30



Thanks for choosing TaoTronics Air Conditioner. Please read this User Guide thoroughly before use and retain it for future reference.

IMPORTANT




READ AND FOLLOW ALL SAFETY INFORMATION AND INSTRUCTIONS. KEEP FOR FUTURE REFERENCE.

CAUTION



- Contact the authorized service technician for repair or maintenance of this unit.
- Contact the installer for installation of this unit.
- This appliance can be used by children aged from 8 years and above and persons with reduced physical, sensory or mental capabilities or lack of experience and knowledge if they have been given supervision or instruction concerning use of the appliance in a safe way and understand the hazards involved.
- Children shall not play with the appliance.
- Cleaning and user maintenance shall not be made by children without supervision.
- Air Conditioner should be properly grounded. Incorrect grounding may cause electric shock.
- If the power cord is to be replaced, replacement work must be performed by authorized personnel only.
- Installation work must be performed in accordance with the national wiring standards by qualified and authorized personnel only.

Safety Precautions


To prevent injury to the user or other people and property damage, the following instructions must be followed. Incorrect operation due to ignoring of instructions may cause harm or damage. The seriousness is classified by the following indications.


 WARNING	Indicates a hazardous situation that, if not avoided, could result in death or serious injury.
 CAUTION	Indicates a hazardous situation that, if not avoided, may result in minor or moderate injury.
NOTICE	Indicates important but not hazard-related information, used to indicate risk of property damage.
	Indicates a hazard that would be assigned a signal word WARNING or CAUTION.


Meaning of symbols used in this manual are as shown below.


	NEVER DO THIS.
	Follow the instruction.

WARNING---Installation

 **Do not use a power cord, a plug, or a loose plug or a loose socket which is damaged.**
It may cause a fire or electric shock.

 **Always plug into a grounded outlet.**
It may cause a fire or electric shock.

 **Do not modify or extend the power cord length.**
It will cause electrical shock or fire due to heat generation.

 **Do not disassemble or modify the unit.**
It may cause failure and electric shock.

! **Be caution when unpacking and installing.**

Sharp edges may cause injury.

⊗ **Do not store flammables like gasoline, benzene, thinner, etc. near the air conditioner.**

It may cause explosion or fire.

! **Turn off the power and breaker first when cleaning the unit.**

Since the fan rotates at high speed during operation, it may cause injury.

! **Unplug the unit when not using for a long time.**

Prevent accidental startup and the possibility of injury.

! **WARNING---Operation**

⊗ **Do not place heavy object on the power cord and ensure that the power cord is not compressed.**

There is danger of fire or electric shock.

⊗ **Do not share the outlet with other appliances.**

It will cause electrical shock or fire due to heat generation.

⊗ **Do not operate or stop the unit by inserting or pulling out the power plug.**

It will cause electrical shock or fire due to heat generation.

⊗ **Do not damage or use an unspecified power cord.**

It will cause a fire or electric shock.

! **Take the power plug out if necessary, holding the head of the plug and do not touch it with wet hands.**

It may cause a fire or electric shock.

⊗ **Do not place the power cord near a heater.**

It may cause a fire or electric shock.

⊗ **Do not operate with wet hands or in damp environment.**

It will cause electric shock.

! **Hold the plug by the head (not the cable) when taking it out.**

It may cause electric shock and damage.

⊗ **Do not allow water to run into electric parts.**

It will cause failure of machine or electric shock.

⊗ **Do not open the suction inlet grill of the product during operation.**

It may cause electric shock and failure.

! **When gas leaks, open the window for ventilation before operating the unit.**

It may cause explosion and a fire.

⊗ **Never touch the metal parts of the unit when removing the filter.**

They are sharp and may cause injury.

! **Unplug the unit if strange sounds, odors, or smoke come from it.**

It may cause a fire or electric shock.

⊗ **No correlation between fan usage and oxygen depletion.**

An oxygen shortage may occur.

! **CAUTION---Installation**

! **Install the product so the exhaust and noise are not aimed directly at the neighbors.**

Be considerate.

! **Follow installation instructions exactly.**

Otherwise, it may cause vibration or water leakage.

! **If water enters the product, turn off the power switch of the main body of appliance.**

Contact service center after taking the power plug from the socket.

! **Use a soft cloth to clean. Do not use wax, thinner, or a strong detergent.**

The appearance of the air conditioner may deteriorate, change color, or develop surface flaws.

⚠ CAUTION---Operation

⊗ Do not use this appliance for special purposes such as cooling pets, foods, precision machinery, or objects of art. It is an air conditioner, not a precision refrigeration system.

⚠ Always insert the filter securely. Clean it every two weeks. Operation without filters will cause failure.

⚠ Be cautious not to touch the sharp edges when installing. It may cause injury.

⊗ Do not insert the hands or bars through the air inlet or outlet during operation. Otherwise, it may cause personal injury.

⚠ If you eat the liquid from the battery, brush your teeth and see doctor. Do not use the remote control if the battery has leaked. The chemicals in battery could cause burns or other health hazards.

⚠ Instead of running air conditioner constantly, open a window for fresh air occasionally. You will feel better.

⚠ Use a soft cloth to clean. Do not use wax, thinner, or a strong detergent. The appearance of the air conditioner may deteriorate, change color, or develop surface flaws.

⊗ Do not block the inlet or outlet of air flow. It may cause product failure.

⊗ Do not step on the indoor/outdoor unit and do not put anything on it. It may cause an injury through dropping of the unit or falling down.

⊗ Do not drink water drained from air conditioner. It contains contaminants and will make you sick.

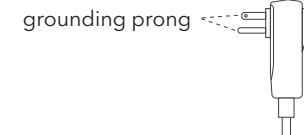
⚠ If the liquid from the battery gets onto your skin or clothes, wash it well with clean water. Do not use the remote control if the battery has leaked. The chemicals in battery could cause burns or other health hazards.

Safety Precautions

⚠ CAUTION

The power supply cord with this air conditioner contains a current detection device designed to reduce the risk of fire. Please refer to the "Operation of Current Device" section for details. If the power supply cord is damaged, it cannot be repaired. Please contact our Customer Service for replacement of the cord.

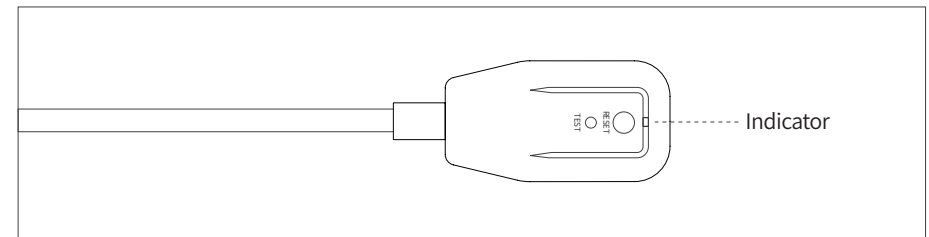
Power supply cord with 3-prong grounding plug and current detection device. Do not, under any circumstances, cut, remove, or bypass the grounding prong.



Operation of Current Device

The power supply cord of window type unit has creepage protection device that senses damage to the power cord. There are **TEST** button and **RESET** button on the plug. You are suggested to check the power cord periodically. To test your power supply cord, please follow the steps below:

1. Plug in the Air Conditioner, the indicator turns ON.
2. Press the **TEST** button, the indicator turns OFF and you will notice a click as the **RESET** button pops out.
3. Press the **RESET** button, again you will notice a click as the button engages. The indicator turns ON again indicating the protection device is normal.
4. The power supply cord is now supplying electricity to the unit.



Notice:

- Do not use this device to turn the unit on or off.
- Always make sure the RESET button is pushed in for correct operation.
- The power supply must be replaced if it fails rest when either the TEST button is pushed, or it cannot be reset. Please contact Customer Service for support.
- If power supply cord is damaged, it cannot be replaced. It must be replaced with a new cord. Please contact Customer Service for support.

⚠ WARNING

USE OF EXTENSION CORDS

RISK OF FIRE could cause serious injury or death.

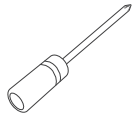
DO NOT use an extension cord with this window air conditioner.

DO NOT use surge protectors or multi-outlet adapters with this window air conditioner.

Preparation for Operation

- Contact an installation specialist for installation.
- Plug in the power plug properly.
- Use a dedicated circuit.
- Do not use an extension cord or an adapter plug.
- Do not start/stop operation by plugging/unplugging the power cord.
- If the power cord/plug is damaged, replace it with an authorized replacement part only.

Preparation Tools



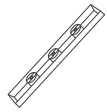
Phillips-head
screwdriver



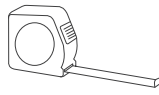
Scissors
or knife



Pencil

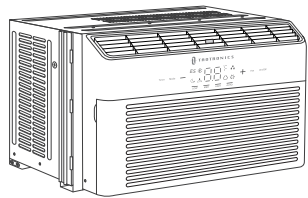


Level

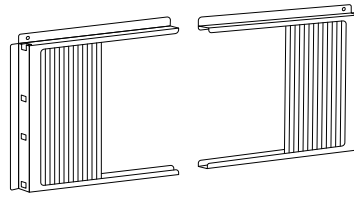


Ruler or
tape measure

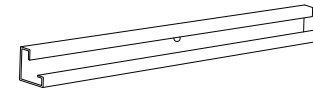
Package Contents



1 x Air Conditioner



1 x Left Accordion Panel
1 x Right Accordion Panel



1 x Top Mounting Rail



1 x Top Mounting Rail Seal Strip



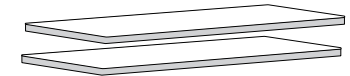
2 x Window Sill and Sash Seal



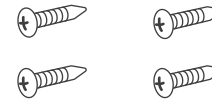
1 x Foam Top Window Gasket



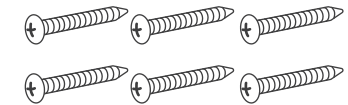
2 x Accordion Panel Seal



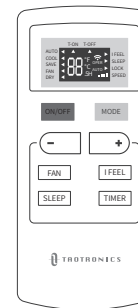
2 x Foam Insulation



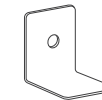
4 x Type A Screws



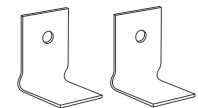
6 x Type B Screws



1 x Remote Control
(Battery not included)



1 x Window Locking Bracket



2 x Frame Locking Bracket



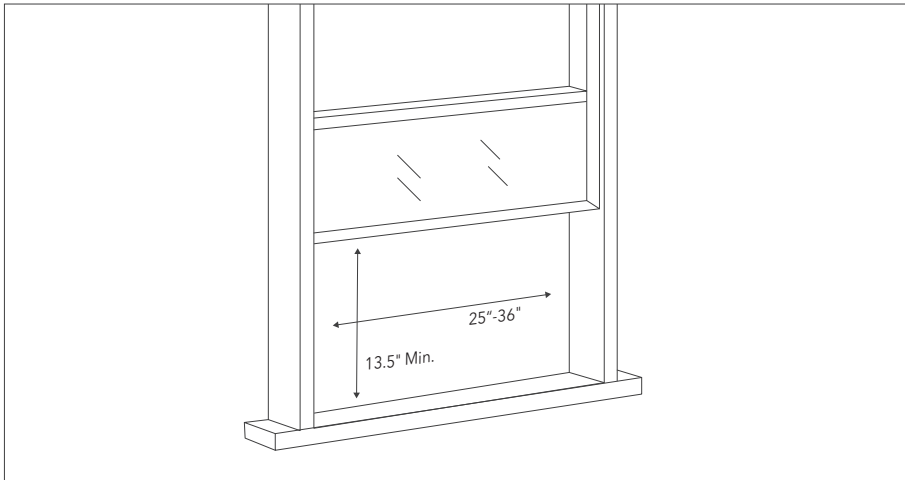
1 x User Manual

Window Types and Requirements

Note:

- The description for below installation is for the standard window. If it's other types of window, you may need to adjust the window.
- If you need to install the air conditioner at the small window, you may not need to use the accordion panel sub-assy. Please refer to requirement of window size for details.
- All parts used for supporting air conditioner should be fixed at solid wooden strap, brick or metal.
- Socket must be installed at the position where the power cord is available.

Standard window



Weather-proof Type Window

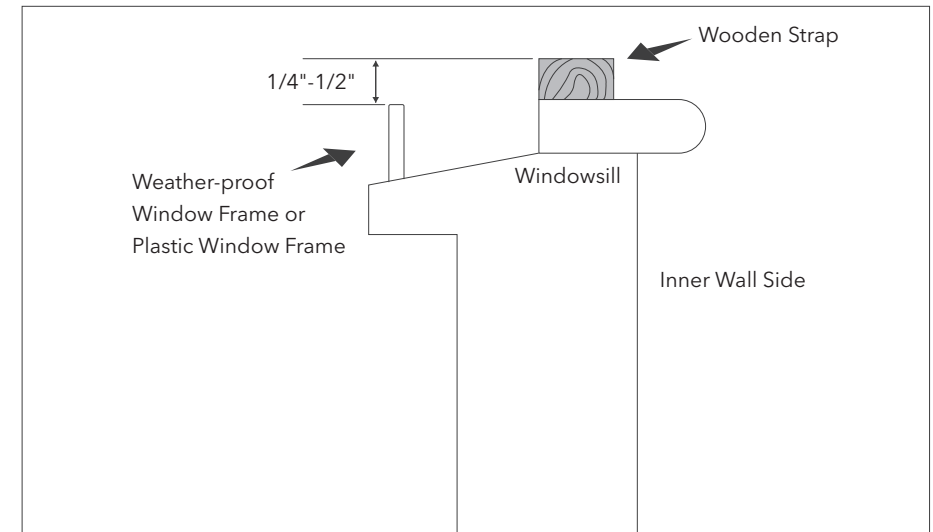
The height of window frame is higher than windowsill for some weather-proof type window, which will affect the installation of air conditioner. In this case, before installing the air conditioner, add wooden strap on the windowsill, and fix the wooden strap at the windowsill.

Specification of Wooden Strap

Width: about 2"

Length: same to the inner frame size of window

Height: Put the wooden strap on the windowsill, top part of wooden strap and window frame should be at the same horizontal level, or higher than the top part of window frame for about 1/4"-1/2"



Requirements before Installation

⚠ WARNING

- Observe all governing codes and ordinances.
- Do not use damaged or non-standard power cord.
- Be caution during installation and maintenance. Prohibit incorrect operation to prevent electric shock, casualty and other accidents.

Selection of Installation Location

Basic requirement

Installing the unit in the following places may cause malfunction. If it is unavoidable, please consult the local dealer:

1. The place with strong heat sources, vapors, flammable or explosive gas, or volatile objects spread in the air.
2. The place with high-frequency devices (such as welding machine, medical equipment).
3. The place near coast area.
4. The place with oil or fumes in the air.
5. The place with sulfureted gas.
6. Other places with special circumstances.
7. It's not allowed to be installed on the unstable or motive base structure (such as truck) or in the corrosive environment (such as chemical factory).

Requirement of complete unit

1. There should be no obstruction near air inlet and air outlet.
2. Select a location where the condensation water can be dispersed easily and won't affect other people.
3. The location should be able to withstand the weight of the unit and won't increase noise and vibration.
4. Select a location where the noise and outflow air emitted by the outdoor unit will not affect neighborhood.
5. The location should be able to withstand the weight of unit.
6. Select a location which is out of reach for children and far away from animals or plants. If it is unavoidable, please add fence for safety purpose.
7. Please try your best to keep far away from fluorescent lamp.

Requirements for Electric Connection

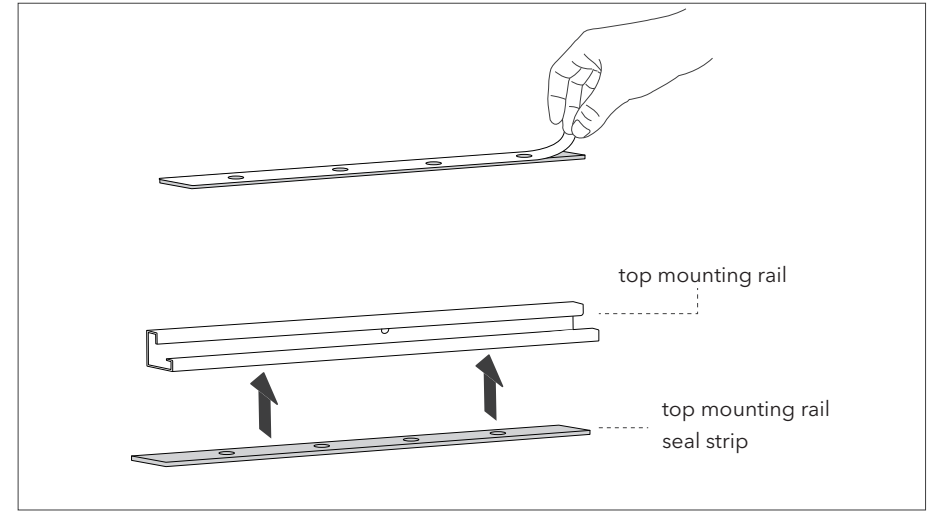
Safety Precaution

1. Must follow the electric safety regulations when installing the unit.
2. According to the local safety regulations, use qualified power supply circuit and air switch.
3. Please make sure the power supply complies with the requirement of air conditioner. Unstable power supply or incorrect wiring may lead to electric shock, fire hazard or malfunction.
4. Properly connect the live wire, neutral wire and grounding wire of power socket.
5. Be sure to cut off the power supply before proceeding any work related to electricity and safety.
6. Do not put through the power before finishing installation.
7. The air conditioner is first class electric appliance. It must be properly grounding with specialized grounding device by a professional. Please make sure it is always grounded effectively, otherwise it may cause electric shock.
8. The yellow-green wire or green wire in air conditioner is grounding wire, which can't be used for other purposes.
9. The grounding resistance should comply with national electric safety regulations.

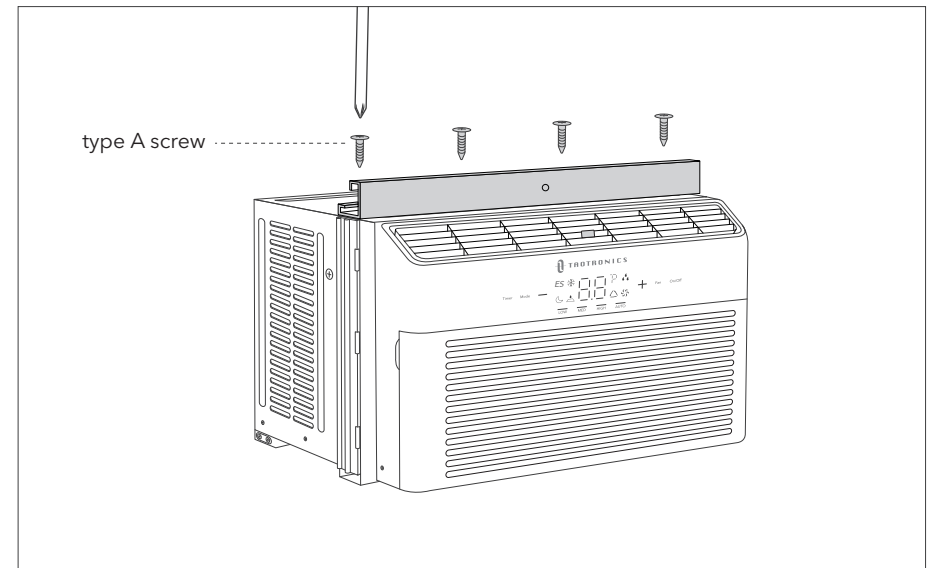
Install Your Air Conditioner

Step 1: Install Top Mounting Rail

1. Tear off the paster at back side of top mounting rail seal strip, and then align it at the bottom edge of top mounting rail to stick the top mounting rail seal strip at the bottom of top mounting rail.

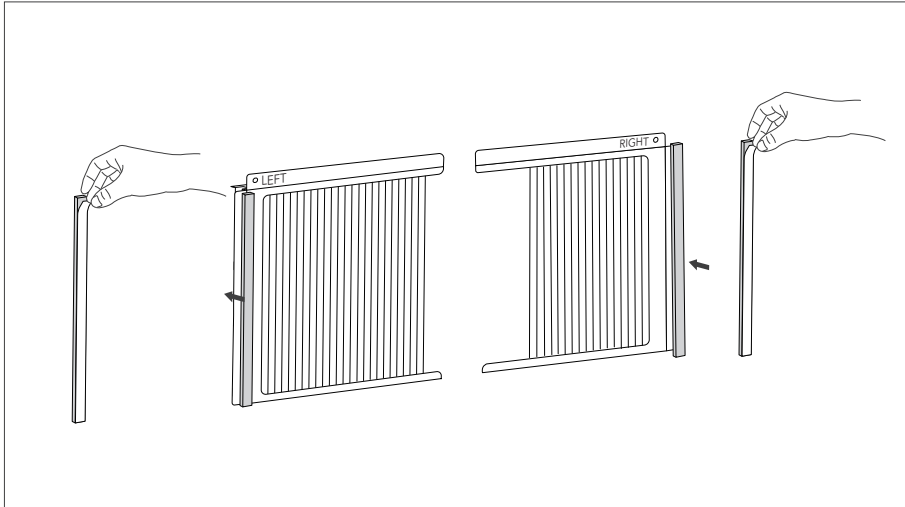


2. Use 4 type A screws to fix the top mounting rail at the outer case of air conditioner.

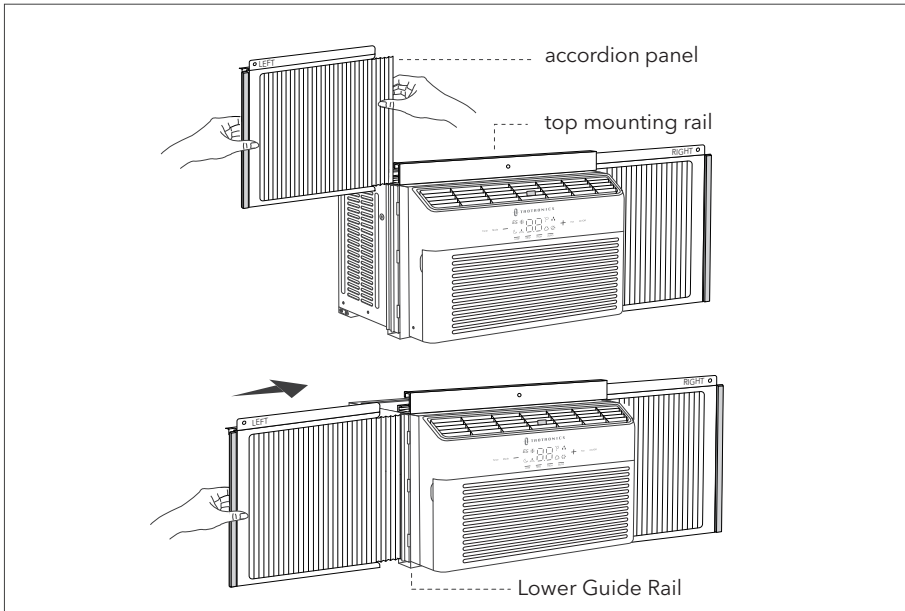


Step 2: Install Accordion Panel

1. Stick one accordion panel seal respectively on the left side and right side of accordion panel installation frame.

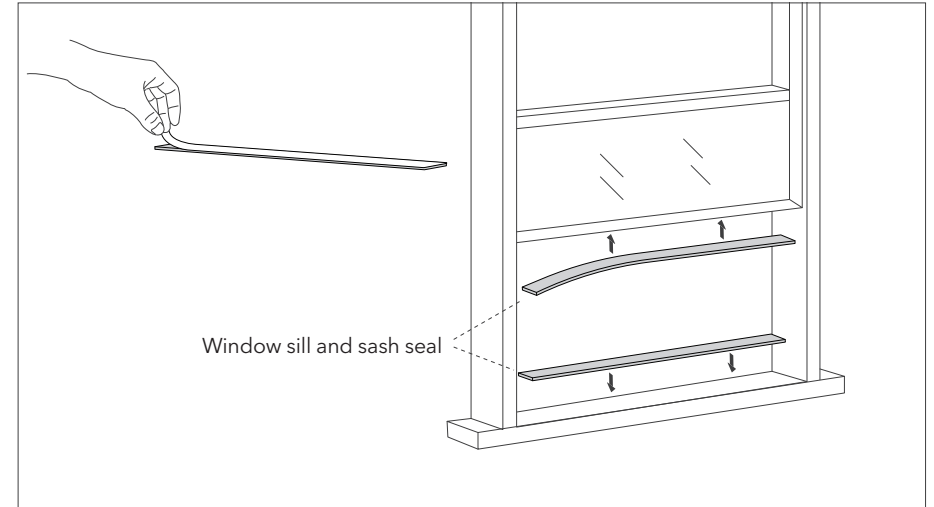


2. Undraw the accordion panel, install the accordion panel marked with "LEFT" and "RIGHT" at both sides of the air conditioner respectively.



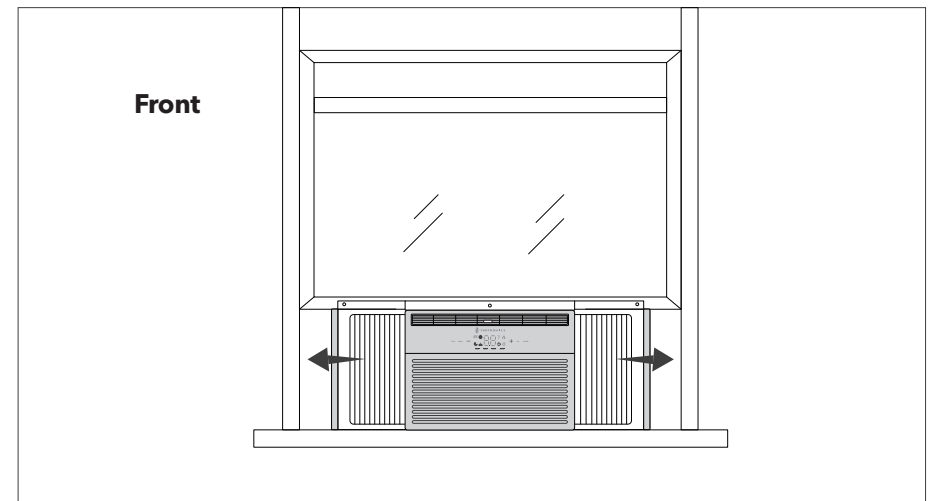
Step 3: Stick Window Sill and Sash Seal

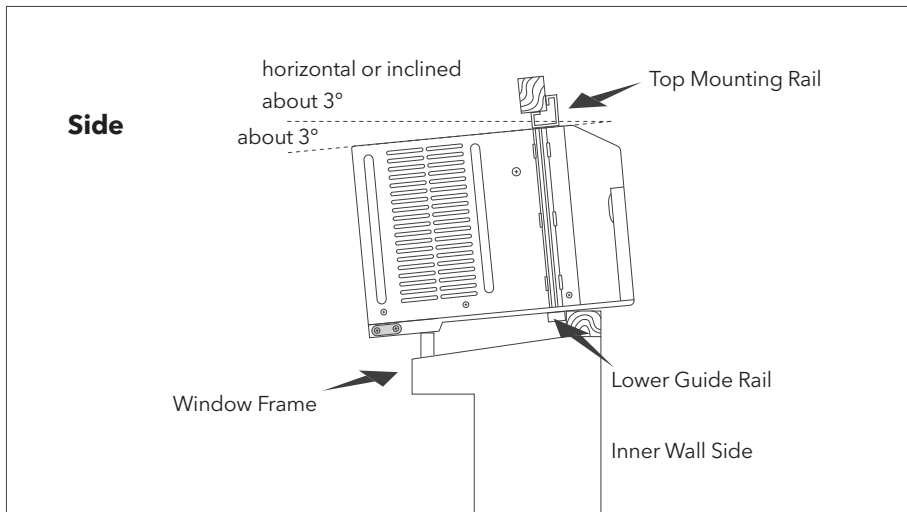
Cut the Window sill and sash seal into proper length. Tear off the paster and then stick the seal at the lower part of the window frame.



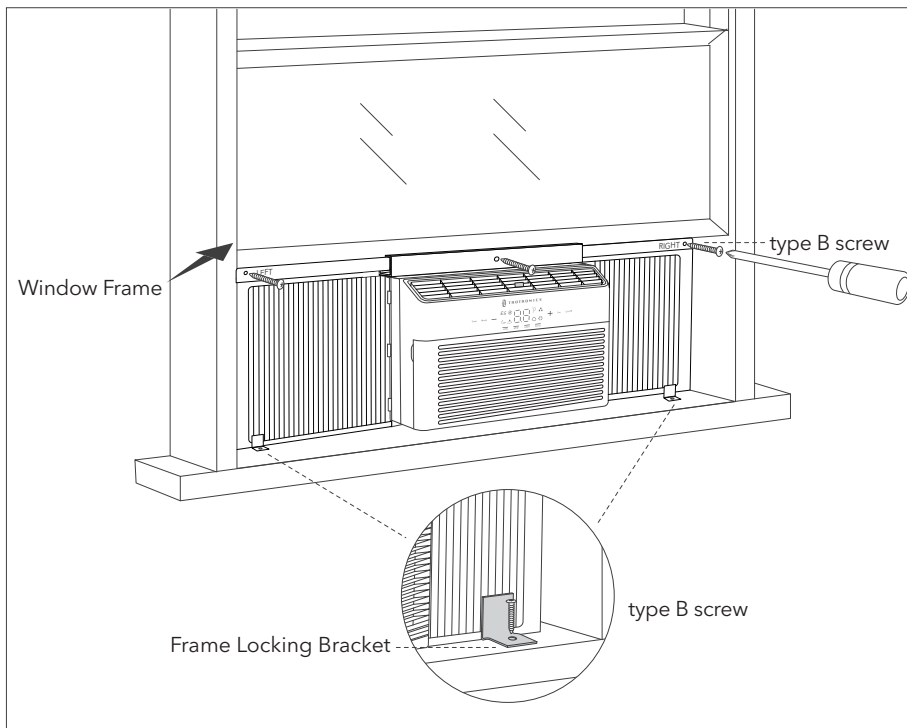
Step 4: Place Air Conditioner

1. Ask 2 persons to put the air conditioner at the windowsill, and the lower guide rail should be stick at the windowsill. Top mounting rail stays at the middle lower side of window and then window can stick to the top mounting rail when closing it. Please note that the air conditioner should be placed at horizontal place or inclined outwards slightly.



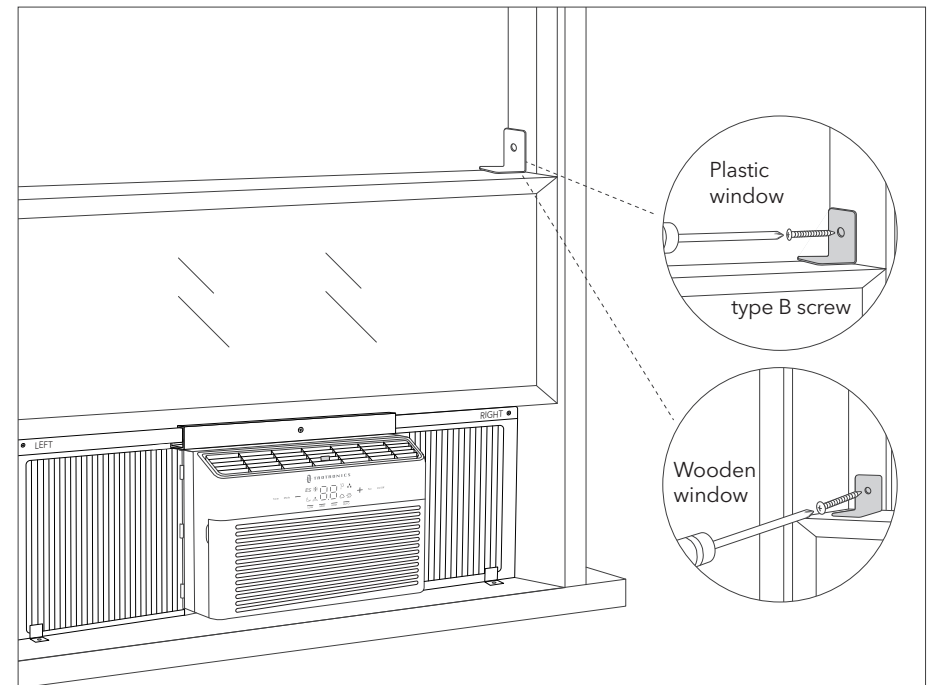


2. Pull the window, undraw accordion panels at both sides to keep it vertical to the window frame and then use 5 type B screws to fix the frame of accordion panel at window frame and windowsill.



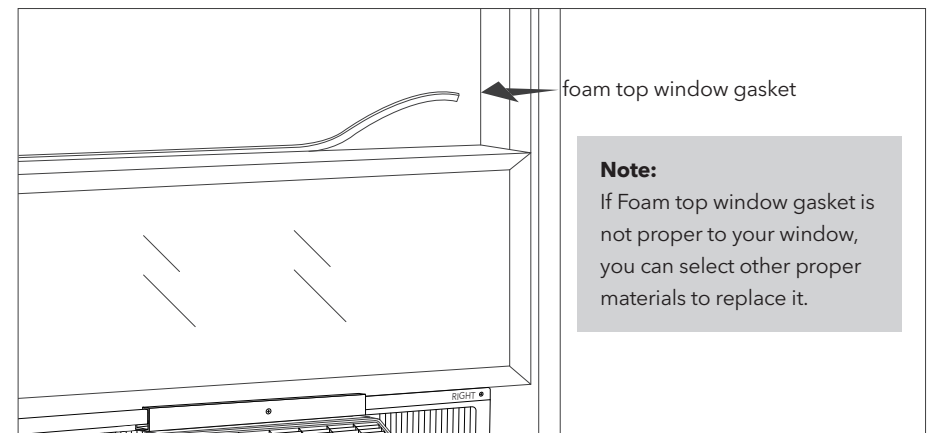
Step 5: Install Window Locking Bracket

Install the window locking bracket at the window frame to fix the window.



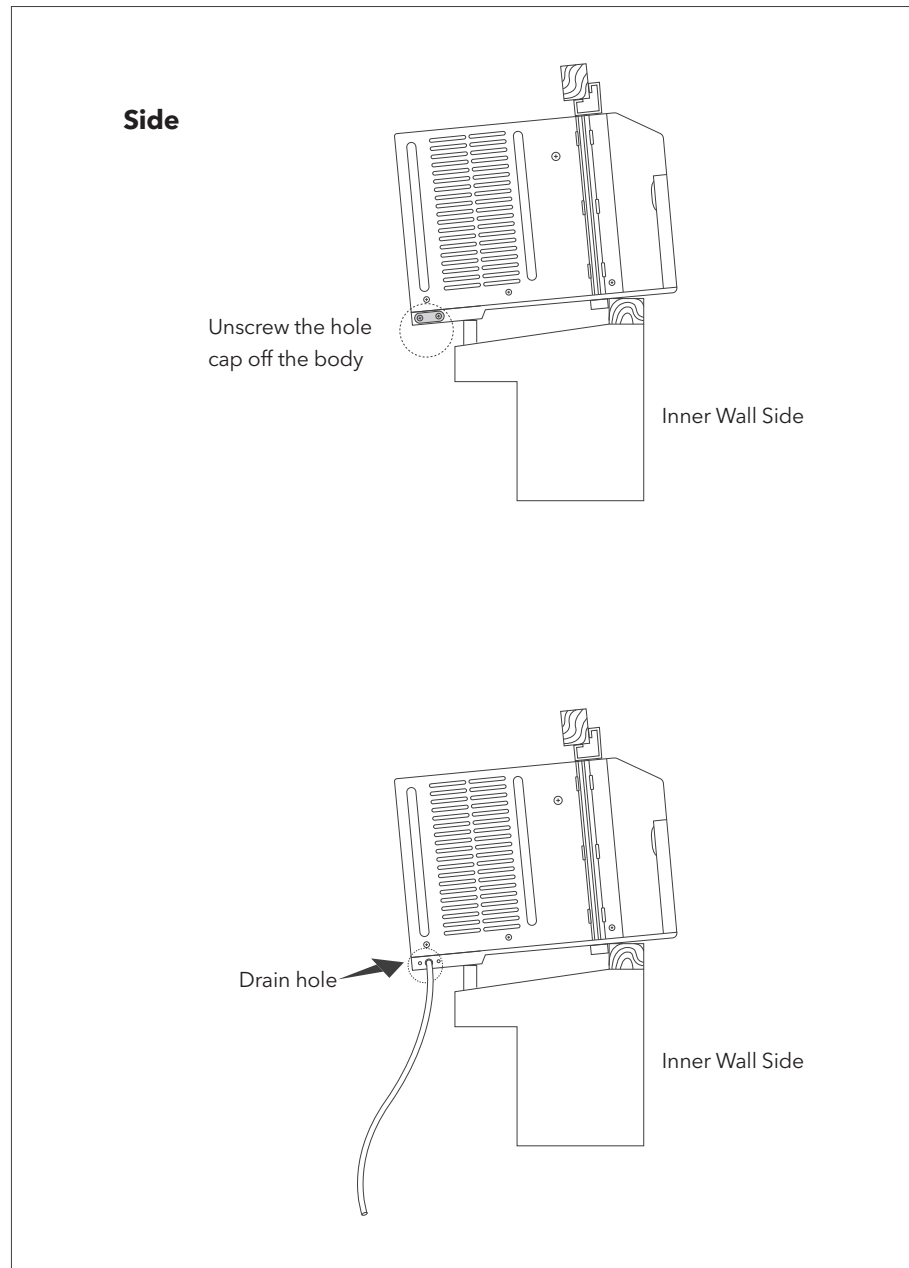
Step 6: Plug Foam Top Window Gasket

Cut the foam top window gasket into the length same to the width of window. Plug the foam between glasses and window to prevent rain and insects getting into the room.



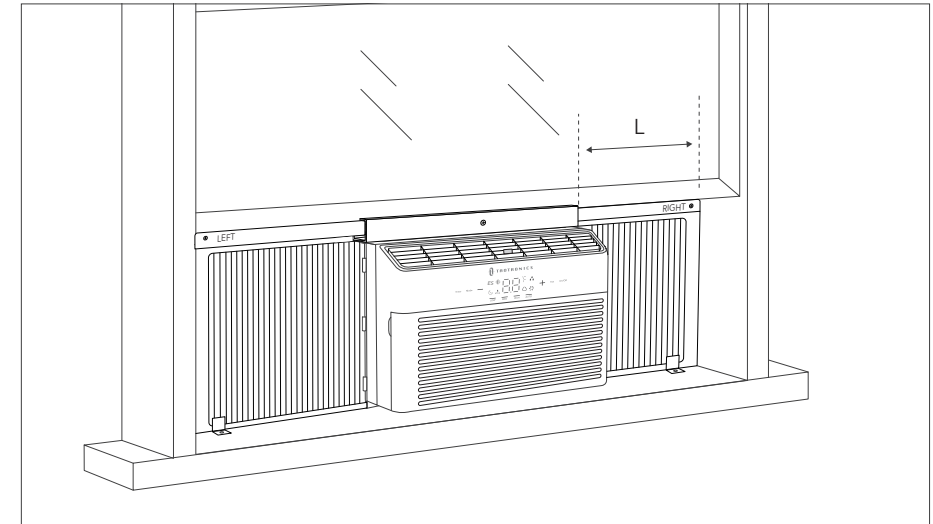
Step 7: Drain water

This model features a drain hole to expel condensed water, when the water reaches a given level it drains away automatically. Connect a proper-sized drain hose (not included) to the drip hole to divert the water wherever you wish if the drip sound annoys you.

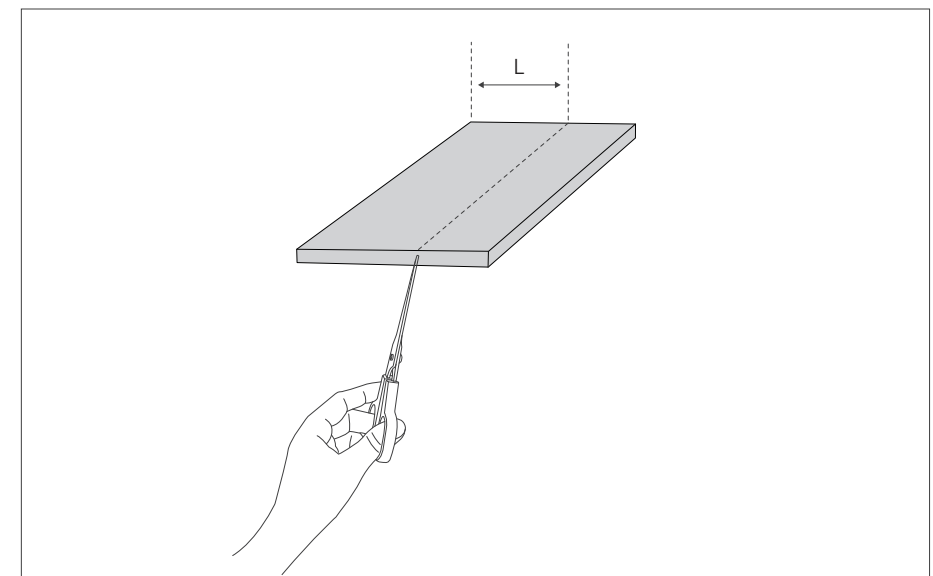


Step 8: Sponge Sticking Method and Procedures

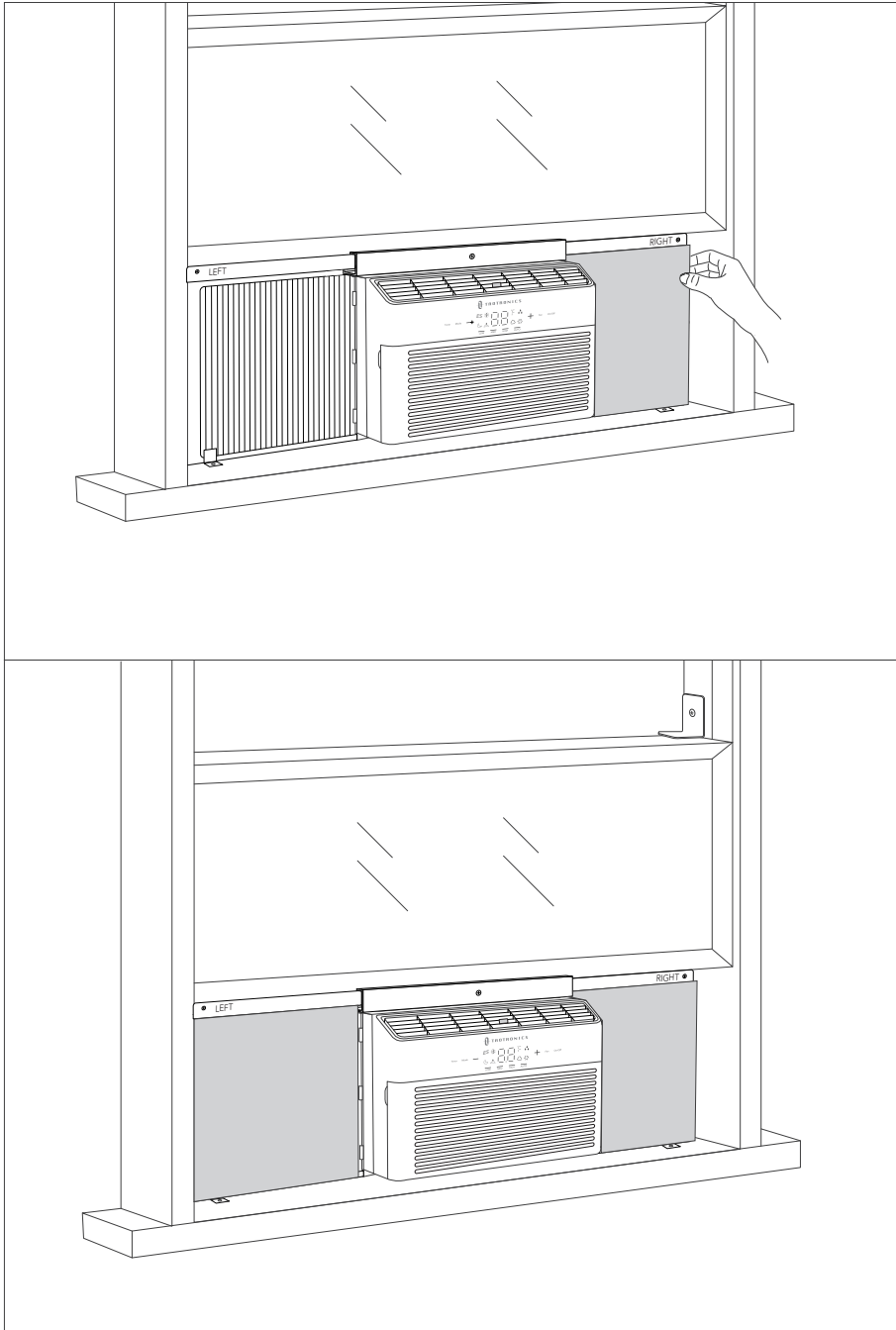
1. Install accordion panel sub-assy. After finishing installation, measure the width L between outer case of air conditioner and window frame.



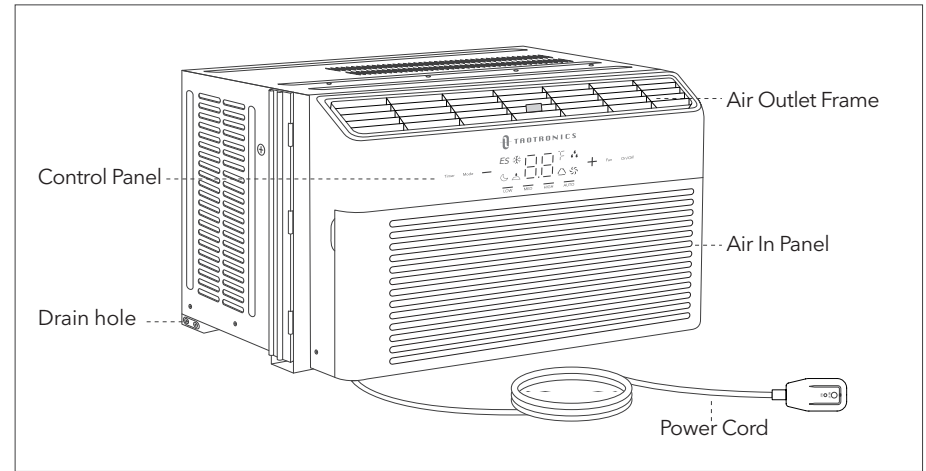
2. Take out foam insulation from the package. Cut off the foam insulation in rectangular shape with scissors.



3. Stick foam insulation evenly on the accordion panel and the screen of window frame. The redundant 2~3mm of foam insulation in height can be stuffed into the frame for fixing.



Product Diagram

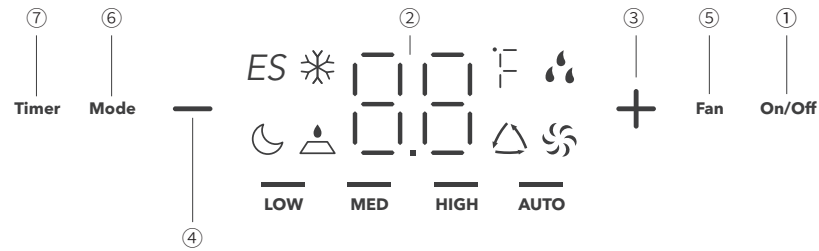


Specifications

Model	TT-AC003
Refrigerant	R32
Cooling Capacity	2345 W
Cooling Power Input	660 W
Cooling Power Current	6.0 A
Rated Voltage	115 V
Rated Frequency	60 Hz
Rated Input	780 W
Rated Current	6.9 A
CEER	12.1(Btu/h)/W
Operating Temperature Range (Maximum Cooling)	Indoor side DB/WB (°C/°F): 32/23 (89.6/73.4) Outdoor side DB/WB (°C/°F): 43/26 (109.4/78.8)
Dimensions	54.2×34.9×47.7cm / 21.4"×13.7"×18.9"
Net Weight	28 kg / 61.7 lbs

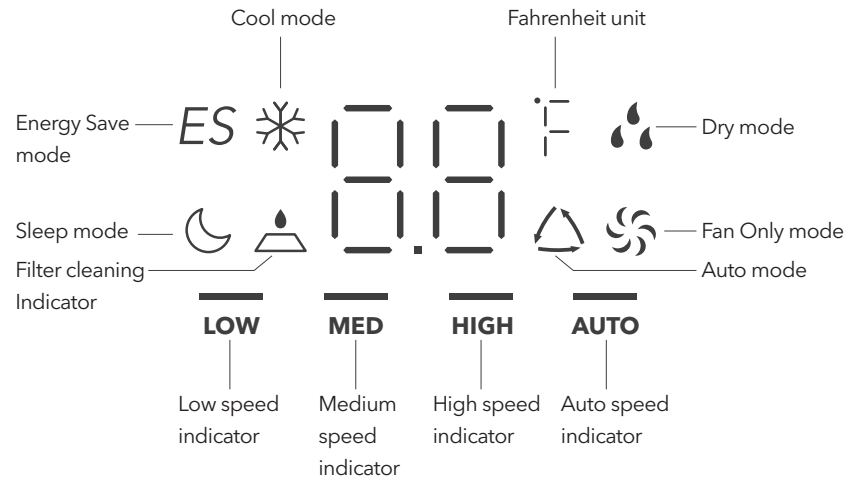
Control Panel

Button



- ① On/Off Button
- ② Dual-8 display
- ③ Temperature/Timer Increase Button
- ④ Temperature/Timer Decrease Button
- ⑤ Fan Button
- ⑥ Mode Button
- ⑦ Timer Button

Display



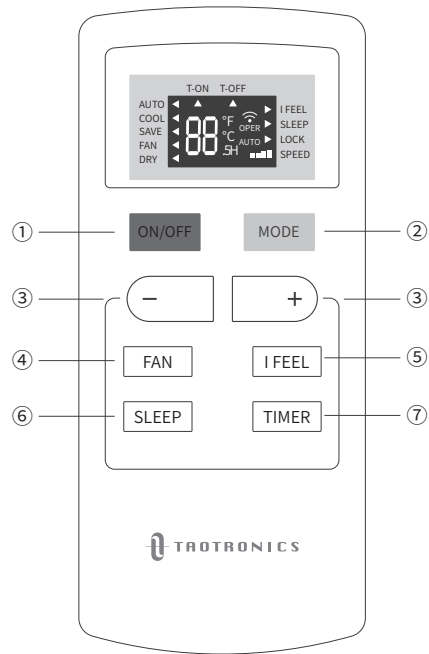
Button Control

Button	Function
① Power Button	<ul style="list-style-type: none"> · Turn the unit ON or OFF. · Turning on the unit via Control Panel, the unit will operate in Energy Saver mode automatically.
② Dual-8 display	<ul style="list-style-type: none"> · Timer Setting: Display time. · Auto, Cool, Energy Saver and Dry Mode: Display set temperature. · Fan Mode: Display room temperature.
③ Temperature/Timer Increase Button	<ul style="list-style-type: none"> · Timer Setting: Increase the delay time. · Cool, Energy Save and Dry Mode: Increase the set temperature.
④ Temperature/Timer Decrease Button	<ul style="list-style-type: none"> · Timer Setting: Decrease the delay time. · Cool, Energy Save and Dry Mode: Decrease the set temperature. · Confirmation time: Temperature setting: 3s after setting finished Timer setting: 5s after setting finished
⑤ Fan Button	Adjust the fan speed: Low, Med, High, Auto.
⑥ Mode Button	Cycle through modes: Cool, Energy Save, Fan, Dry, Auto.
⑦ Timer Button	<ul style="list-style-type: none"> · When the unit is OFF, it can be set to automatically turn ON the air conditioner under Energy Save mode from 0.5 (30 minutes) to 24 hours. · When the unit is ON, it can be set to automatically turn OFF the air conditioner from 0.5 (30 minutes) to 24 hours. · Press ▲ / ▼ buttons to adjust the Auto-ON/OFF time, timer setting will be confirmed after finishing setting for 5s.
Filter Cleaning	<p>After the unit operates for 250 hours accumulatively, Filter cleaning indicator will light up to notify that the filter needs to be cleaned. After the filter is cleaned and reinstalled, press and hold "Timer" button and "-" button simultaneously to clear the operation time. The Filter cleaning indicator will turn off.</p>

Note:

The temperature is displayed in degree Fahrenheit (°F) by default. To change to degree Celsius (°C), press and hold the "+" and "-" buttons simultaneously for 3 seconds. Repeat the process to change it back to degree Fahrenheit (°F).

Remote Control



- | | |
|-----------------|-----------------|
| ① ON/OFF Button | ⑤ I FEEL Button |
| ② MODE Button | ⑥ SLEEP Button |
| ③ + / - Button | ⑦ TIMER Button |
| ④ FAN Button | |

Button Control

Button	Function
① ON/OFF Button	<ul style="list-style-type: none"> · Turn the unit ON or OFF. · Turning on the unit via Remote Control, the unit will operate in Energy Saver mode automatically.
② MODE Button	<ul style="list-style-type: none"> · Cycle through modes: AUTO, COOL, SAVE, FAN and DRY.
③ + / - Button	<p>Temperature Adjustment:</p> <ul style="list-style-type: none"> · Press the button once to increase or decrease the set temperature by 1°F (°C). · Press and hold the button for 2s to quickly adjust the set temperature. <p>Time Adjustment:</p> <ul style="list-style-type: none"> · Press the button once to increase or decrease the time by 0.5h. · Press and hold the button for 2s to quickly adjust the time.
④ Fan Button	<p>Adjust the fan speed:</p>
⑤ I FEEL Button	<ul style="list-style-type: none"> · Press to activate I FEEL function. · If controller receives I FEEL order, it will work under ambient temperature value sent by remote control every 10 minutes. · After 11 minutes, if controller does not receive ambient temperature value sent by remote control, it will run with AC ambient temperature. · If I FEEL is not set, the ambient temperature will adopt sampling value of AC temperature sensor. · If power off happens, this function will not be memorized.
⑥ SLEEP Button	<ul style="list-style-type: none"> · Press to enter SLEEP mode. Press it again to cancel. · This function is available in COOL, SAVE or DRY mode to maintain the most comfortable temperature for you.
⑦ Timer Button	<ul style="list-style-type: none"> · Press the button once to activate Auto-ON/ Auto-OFF timer. · Press the button twice to cancel Auto-timer.
Child Lock	<ul style="list-style-type: none"> · Press "+" and "-" buttons simultaneously to turn on/ off Child Lock function. · When the function is activated, LOCK indicator on remote control will turn ON.
Temperature Display Switchover	<ul style="list-style-type: none"> · When the unit is OFF, press the "-" button and "MODE" button simultaneously to switch between °C and °F.
Light Function	<ul style="list-style-type: none"> · Press and hold the "+" and "FAN" buttons simultaneously for 3 seconds to turn the light on or off.

Replacement of Batteries in Remote Control

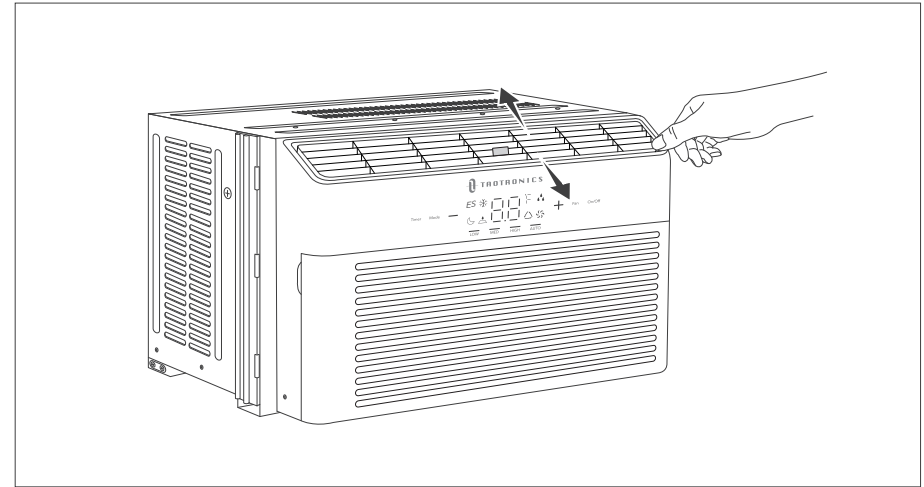
1. Remove the battery box cover.
2. Replace with two new #7 (AAA 1.5V) dry batteries. Make sure positions for "+" pole and "-" pole are correct.
3. Reinstall the battery box cover.

NOTICE

- The distance between signal sender and receiving window should be no more than 8 meters, and there should be no obstacles between them.
- As the signal will be interfered in the room with electronic fluorescent lamp, conversion fluorescent lamp or wireless phone, please get closer to the air conditioner when using the remote control.
- Replace with new batteries of the same model when replacement is required.
- When not using the remote control for a long time, please take out the batteries.

Adjusting Vertical Air Flow Direction

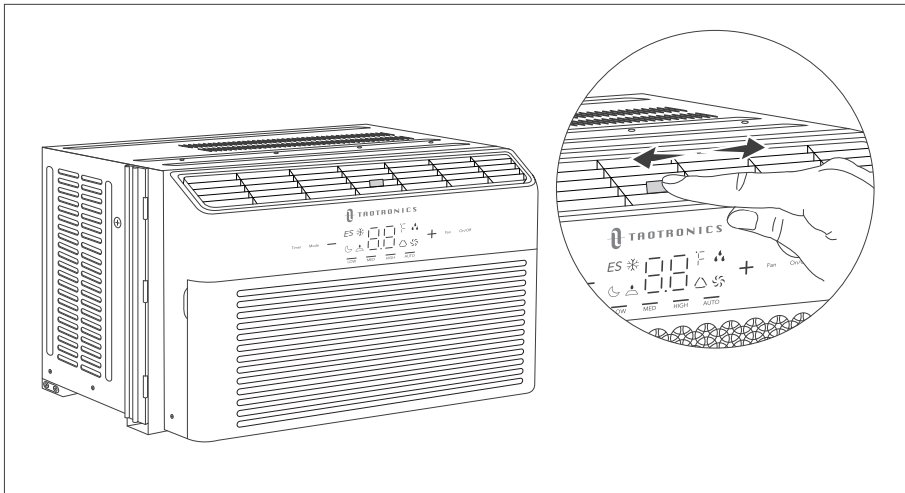
You can switch the vertical direction by pressing any corner of the air outlet frame up or down.



Air Direction Adjustment

Adjusting Horizontal Air Flow Direction

You can adjust the horizontal direction by moving the fan direction adjusting frame to the left or right.

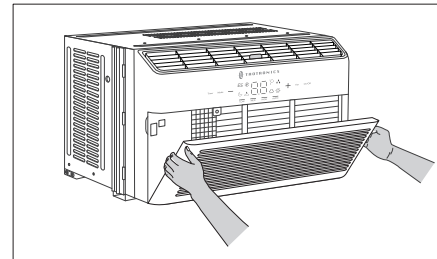


Clean and Maintenance

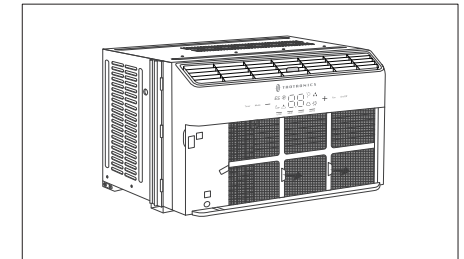
⚠ WARNING

- Turn off the air conditioner and disconnect the power before cleaning the air conditioner to avoid electric shock.
- DO NOT wash the air conditioner with water to avoid electric shock.
- DO NOT use volatile liquid to clean the air conditioner.

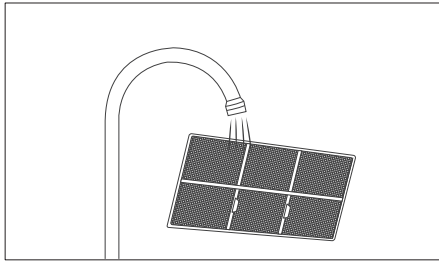
Cleaning the Filter



1. Pull the groove at both sides of panel forcibly to open the panel to a certain angle.

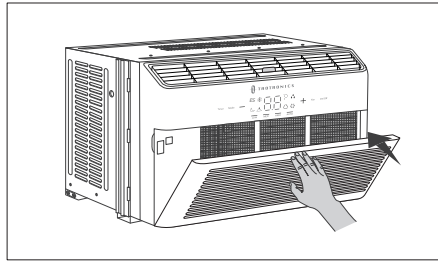


2. Remove the filter.



3. Clean the Filter

- Use dust catcher or water to clean the filter.
- If the filter is very dirty, you can use the warm water (below 113°F) dissolved with neutral abluent, and then put it under the shady place.



4. Install the filter and then buckle the panel cover.

NOTICE:

- Clean the filter about once every three months. If there are lots of dust in operation environment, you can increase the clean times.
- There are shaft metal fins in the air conditioner, do not touch the fins after removing the filter to avoid scratching.
- DO NOT dry the filter on fire or use hair drier to dry the filter. Otherwise, the filter may be deformed or catch fire.
- DO NOT operate the air conditioner when the filter hasn't been installed.

Cleaning the Panel

If the surface of panel is very dirty, you are suggested to use soft dry cloth or wet cloth dipped with neutral abluent to wipe it.

Note: Do not remove the panel when cleaning it.

Maintaining the Outer Case

You are suggested to check the outer case of air conditioner one or twice every year. If the outer case is damaged or rusted, please contact the dealer.

Note: In order to reduce damage or rust under no-use season, you can cover the air conditioner with protective covering.

Troubleshooting

Please check below items before asking for maintenance. If the problem still cannot be solved, please contact Customer Service for support.

Problem	Possible Causes	What To Do
Air conditioner cannot start	Power failure.	Wait after power recovery.
	The air conditioner is unplugged.	Make sure the air conditioner plug is pushed completely into the outlet.
	The air switch is tripped off or fuse is burnt.	Try plugging the air purifier into a different outlet.
	Circuit malfunction.	Ask professional person to replace the circuit.
	The unit is restarted up after stopping immediately.	Wait after voltage is resumed.
	The protection device for the plug of power cord trips off.	Please press RESET button on plug again. If the power trips off again with a sound, there's malfunction for the plug or the unit. Please contact Customer Service for support.
Air conditioner does not cool as it should	The power is too low.	Wait after voltage is resumed.
	The airflow is restricted.	Make sure there are no curtains, blinds, or furniture blocking the front of the air conditioner.
	The air filter is too dirty.	Clean the air filter.
	The temperature is not set properly.	Adjust the temperature.
	The door and window are not closed.	Close the door and window.
Air conditioner can't receive signal from remote control or the remote control is not sensible	The unit is interfered seriously (such as static pressure, unstable voltage).	Please pull out the plug. Insert the plug after about 3 minute, and then turn on the unit.
	The remote control is out the receiving range.	The receiving range of remote control is 8 meters. Do not exceed this range.
	The remote control is blocked by obstacles.	Remove the obstacles.
	The sensitivity of remote controller is low.	Check the batteries of remote control. If the power is low, please replace the batteries.

Problem	Possible Causes	What To Do
Air conditioner can't receive signal from remote control or the remote control is not sensible	There's fluorescence lamp in the room.	Move the remote control close to air conditioner.
		Turn off the fluorescence lamp and try it again.
Noise when unit is cooling	Air movement sound.	This is normal. If too loud, set to lower FAN speed.
	Window vibration - poor installation.	Refer to installation instructions or check with installer.
Air conditioner turns on and off rapidly	Dirty air filter - air restricted.	Clean the air filter.
	Outside temperature extremely hot.	Set FAN speed to a faster setting to bring air through cooling coils more frequently
No air blewout from air conditioner	The air outlet or air inlet is blocked.	Eliminate the obstacles.
Set temperature cannot be adjusted	The unit operates under AUTO mode?	Temperature cannot be adjusted under AUTO mode.
	The required temperature exceeds the temperature setting range?	Temperature setting range: 61°F ~86°F
Room too cold	Set temperature too low.	Increase the set temperature.
Water drips indoors	The air conditioner is not tilted to the outside.	For proper water disposal, make sure the air conditioner slants slightly from the case front to the rear.
There's off flavor	There's off-flavor source in the room, such as furniture, cigarette, etc.	Eliminate the off-flavor source.
		Clean the filter.
There's abnormal sound during operation	The unit is interfered by thunder, radio, etc.	Disconnect the power, and then turn on the unit again.
You can hear water-flowing sound	The unit is turned on or turned off just now.	It is normal that there is flowing sound of refrigerant inside the air conditioner.
You can hear "PAPA" sound	The unit is turned on or turned off just now.	Heat expansion or shrinkage for the panel due to temperature change, which causes friction sound.

WARNING

- If below abnormalities occur, please turn off the air conditioner and disconnect the power immediately. After that, please contact Customer Service for support.
 - Power cord is overheating or damaged.
 - There's abnormal sound during operation.
 - There's burning smell.
 - Power cord test or reset button often bounces automatically.
 - Water leakage at indoor side.
- Do not repair or refit the air conditioner by yourself.
- Operate the air conditioner under abnormal status will cause malfunction, electric shock or fire hazard.

Warranty and Service

This product is covered with TaoTronics product and labor warranty for 12 months from the date of its original purchase. If any problems occur, please contact the TaoTronics Customer Care Centre via the contact information listed in this User Guide.

We can only provide after sales service for products that are sold by TaoTronics or TaoTronics authorized retailers and distributors. If you have purchased your unit from a different place, please contact your seller for return and warranty issues.

E-mail:

support@taotronics.com

MANUFACTURER

Manufacturer: Shenzhen NearbyExpress Technology Development Co.,Ltd.

Address: Floor 7, Building E, Galaxy World Phase II, Shenzhen, China



C US MADE IN CHINA

Rev_1.0_EN