

尺寸：160*120mm

骑马钉

材质：128g铜版纸

出血：5mm

Homech

www.homech.net

NORTH AMERICA

E-mail:

support@homech.net(US)

support.ca@homech.net(CA)

MANUFACTURER

Manufacturer: Shenzhen NearbyExpress Technology
Development Co.,Ltd.

Address: 333 Bulong Road, Shenzhen, China, 518129



Rev_1.1_EN

Homech

USER GUIDE

Inflatable Swimming Pool

Model : HM-HF007

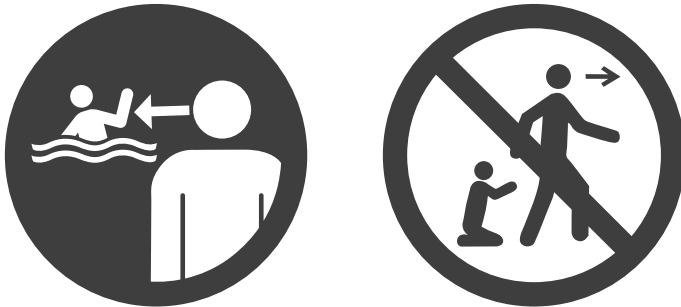
IMPORTANT

READ AND FOLLOW ALL SAFETY INFORMATION AND INSTRUCTIONS. KEEP FOR FUTURE REFERENCE.

FAILURE TO FOLLOW THESE WARNINGS AND INSTRUCTIONS CAN RESULT IN SERIOUS INJURY OR DEATH TO USERS, ESPECIALLY CHILDREN.

- This manual addresses some common risks but not all danger of water recreation. Always be cautious, use common sense and wise judgment when enjoying water activity.
- Please read this manual thoroughly before use of the product and retain it for future reference.

WARNING



01

WARNING

**NO DIVING OR JUMPING
SHALLOW WATER**



Diving or jumping may result in broken neck, paralysis, permanent injury or death.

PREVENT DROWNING

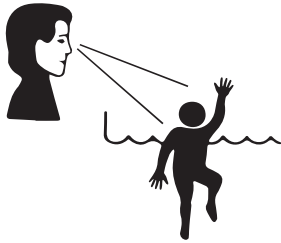


Closely watch children in or near this inflatable swimming pool.
Children under 5 at highest risk for drowning.

02

⚠ WARNING

PREVENT DROWNING



Children-especially toddlers are at high risk of drowning. Closely watch children who are in or near this pool. Empty pool or prevent access when not in use.

⚠ WARNING

- **Never leave your child unattended – drowning hazard.**
- Children under 5 are at highest risk of drowning.
- Closely watch children who are in or near this pool.
- Empty pool or prevent access when not in use.
- This product is intended for use of people aged 2 and above.
- Only for domestic use. Only for outdoor use.
- Children can be drowned in very small amount of water. Empty the pool when not in use.
- Keep children under direct sight. Actively supervise them when they are in or near the pool or when you are filling or emptying the pool. When searching for a missing child, check the pool first, even if he / she is thought to be in the house.
- Drain water inside the pool after use or before storage to prevent the pool from collecting water from rain or other sources.
- Set up a fence or other approved barriers around the pool as per the local law and regulations to avoid unsupervised children accessing the pool.
- **Never dive in or jump into the pool to avoid injury or death.**

Safety for Weak Swimmer or Non-swimmers

Close and active supervision is needed for weak swimmers or non-swimmers by competent adults. Children under age of 5 are at the highest risk of drowning.

Always assign a competent adult for supervision during each use. Weak swimmers or non-swimmers should always wear life saving device when using the pool.

Remove all toys or other items from the pool when not in use to avoid attracting children entering it.

Necessary Safety Appliance

It is recommended to install a barrier around the pool and secure all doors and windows near the pool to avoid unauthorized access to the pool.

Keep a working phone and a list of emergency numbers near the pool.

Note:

Never substitute adult supervision with safety devices like personal lifesaving devices, barrier, pool cover or warning signs.

Safe Use of the Pool

Encourage children to learn swimming.

Learn Lifesaving knowledge (e.g. Cardiopulmonary Resuscitation-CPR) and update it regularly, which will make a tremendous difference during emergency.

Instruct all users including children on how to handle emergencies.

Do not use the product after drink or during medication. Please remove any cover completely before use if you have covered the pool.

Change water in the pool regularly to prevent water related illness. Do not add any undiluted chemicals into the pool to avoid injury to human.

If any chemicals are occasionally used to reduce the frequency of water replacement, follow instructions from the manufacturer closely and dilute the chemicals properly. Keep the chemicals out of reach of children.

Make sure installation and use of power appliances near the pool conform to local regulations.

Always remove any means of access from the pool and store it out of reach of children.

Use of accessories not recommended by the manufacturer may lead to injury or property loss.

Keep power cable, radio, speaker or any other electric appliances away from the pool. Never place the pool near or under the electric lines.

Always read and follow warnings and safety signs on the pool.

Prevent Young Children from Drowning:

Install fencing or approved barrier around all sides of pool.

State or local laws or codes may require fencing or other approved barriers.

Check state or local laws and codes before setting up the pool. Drowning occurs silently and quickly. Assign an adult to supervise pool and wear provided water watcher tag.

Keep children in your direct sight when they are in or near pool and when you are filling and emptying the pool.

When searching for a missing child, check pool first, even if you think your child is in the house.

Prevent Young Children from Gaining Access to the Pool:

Remove pool ladders before leaving the pool . Toddlers can climb ladder and get into pool .

Position furniture away from pool so that children cannot climb and gain access to the pool.

When leaving pool, remove floats and toys from pool that might attract a child.

Be Prepared to Respond to an Emergency:

Keep a working phone and list of emergency numbers near pool .

Become certified in cardiopulmonary resuscitation (CPR) so you can respond to an emergency.

Pool presents a drowning hazard even during filling and draining of the pool. Maintain constant supervision of children and do not remove any safety barriers until the pool is completely empty and stowed away.

CAUTION

Assembly and disassembly of the pool and its accessories can only be conducted by adult. No tools are needed during the installation.

Use the pool on an even and stable surface only. Keep it at least 2 meters / 6.56 feet away from buildings or any other obstructions.

Leave enough space around the pool for adults to walk through for supervision of children inside the pool.

Empty the pool after use or before storage.

Never lean over or squeeze the inflating or deflating valve to avoid injury or water overflow.

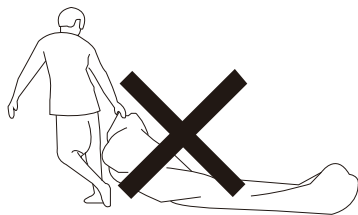
Take off all sharp objects (e.g. jewelry, watch, key) before entering the pool.

Keep water inside the pool clean to avoid possible illness.

Please clean and maintain the product properly to avoid fast wear abrasion and aging.

Check the pool regularly for any sharp edges to avoid injury to human body.

Don't drag the deflated pool on the ground.



Package Contents

- 1 x Inflatable Swimming Pool
- 1 x Tent Cloth
- 3 x Tent Pole
- 1 x User Manual
- 2 x Repair Patch

Get Started

1. Find an even and stable surface, remove any sharp objects. Place the product onto the selected spot.
2. Unfold the product gently and check its intactness. Do not use it if any breakage is found.
3. Fasten all the deflating or drainage valves securely.

Note:

- Do not install the pool over concrete, asphalt or any other hard surface.
- Change water in the pool frequently (particularly in hot weather) or when noticeably contaminated.
- Keep the assembly and installation instructions for further reference.

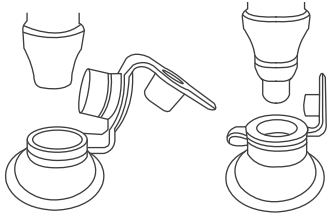
Inflating the Pool

Inflate the pool from the bottom ring to the top ring, never overinflate it.

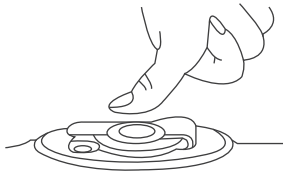
1



2

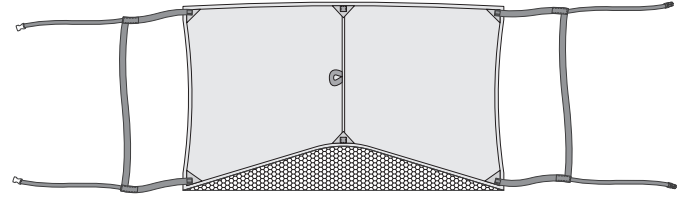


3

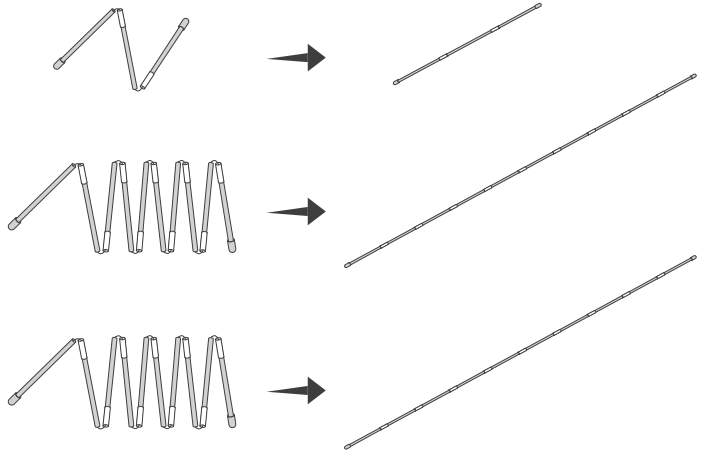


Setting up the Tent

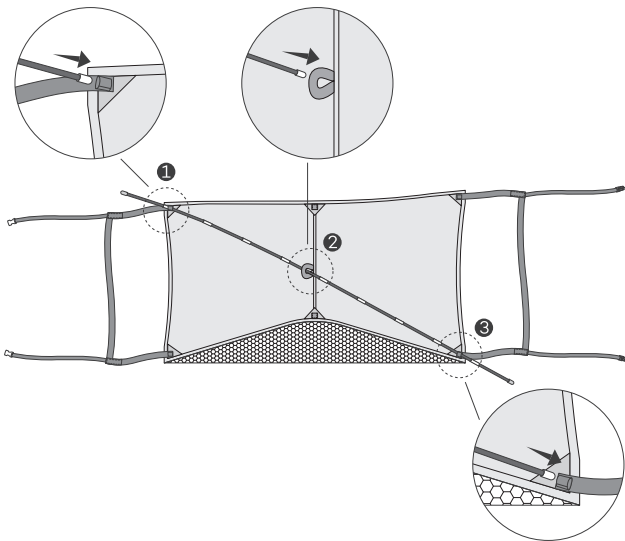
1. Unfold the tent cloth and lay it flat on an open ground, put the interior side face up.



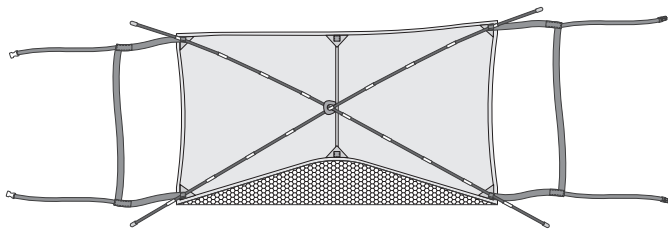
2. Connect the tent poles together by inserting each pole section into the next. The same process as the other two poles.



3. Thread the connected long pole through the loop at any corner, the central loop and the diagonal loop.



4. Repeat the previous step for the other long pole, make the two long poles cross in the middle of the tent cloth, forming an "X" shape.



5. Insert the ends of each pole into the respective sleeves on the belts attached to the four corners of the tent cloth. The tent cloth will be stretched taut.

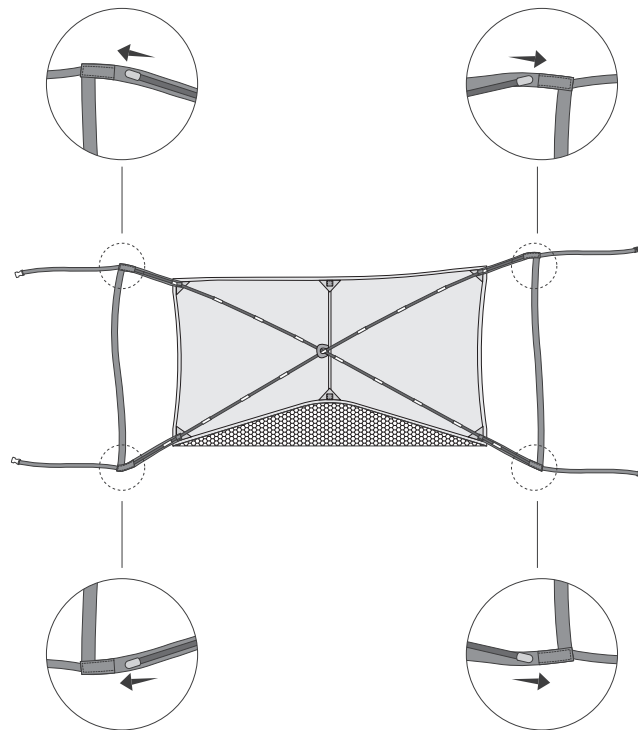
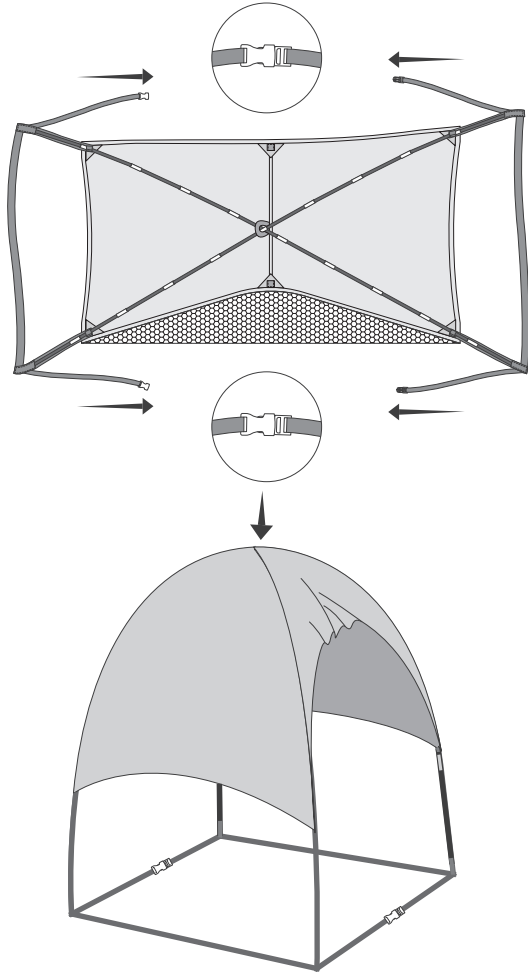


Illustration for reference only

6. Lock up the two side release buckles, the poles will bend into place while the tent will rise up and form the proper shape.

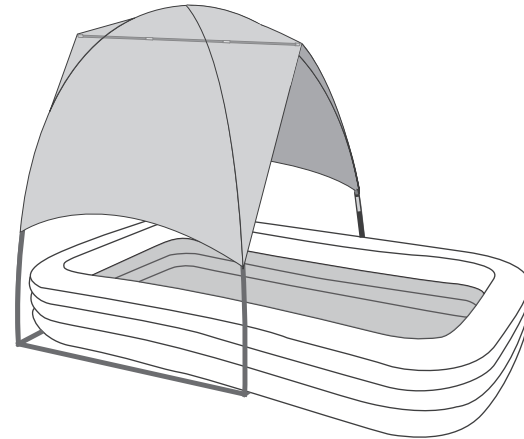


15

7. Insert two ends of the linked short pole into the sleeves in the middle of the tent cloth edges to prop up the tent top.



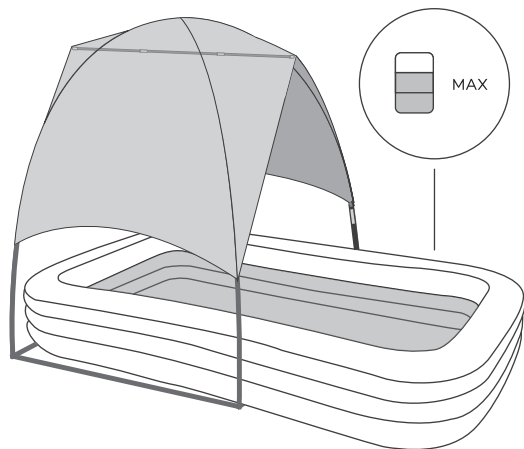
8. Place the pool into the assembled tent.



16

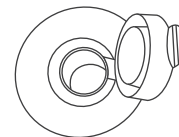
Filling the Pool

Fill the pool slowly, do not exceed the middle ring to avoid water overflow.



Storage and Maintenance

1. Remove all accessories, toys and pipes from the pool.
 2. Open the drainage valve.
-



3. Open the inflating valve, fold the pool for faster deflation and drainage.
4. Fasten all the valves and expose the pool and its accessories to direct sunlight until it is completely dry.
5. Store in a clean, dry room.
6. Fix the small-sized leakage and breakage with the included fixing patches.

To keep children from entering the pool area unaccompanied by a supervising adult, we suggest construct and maintain barriers, never leave children around a portable pool unsupervised. The Pool should be fenced, covered, or emptied and stored away when not in use. Recommendations as described in CPSC Pub. No. 362 found at www.poolsafely.gov.