

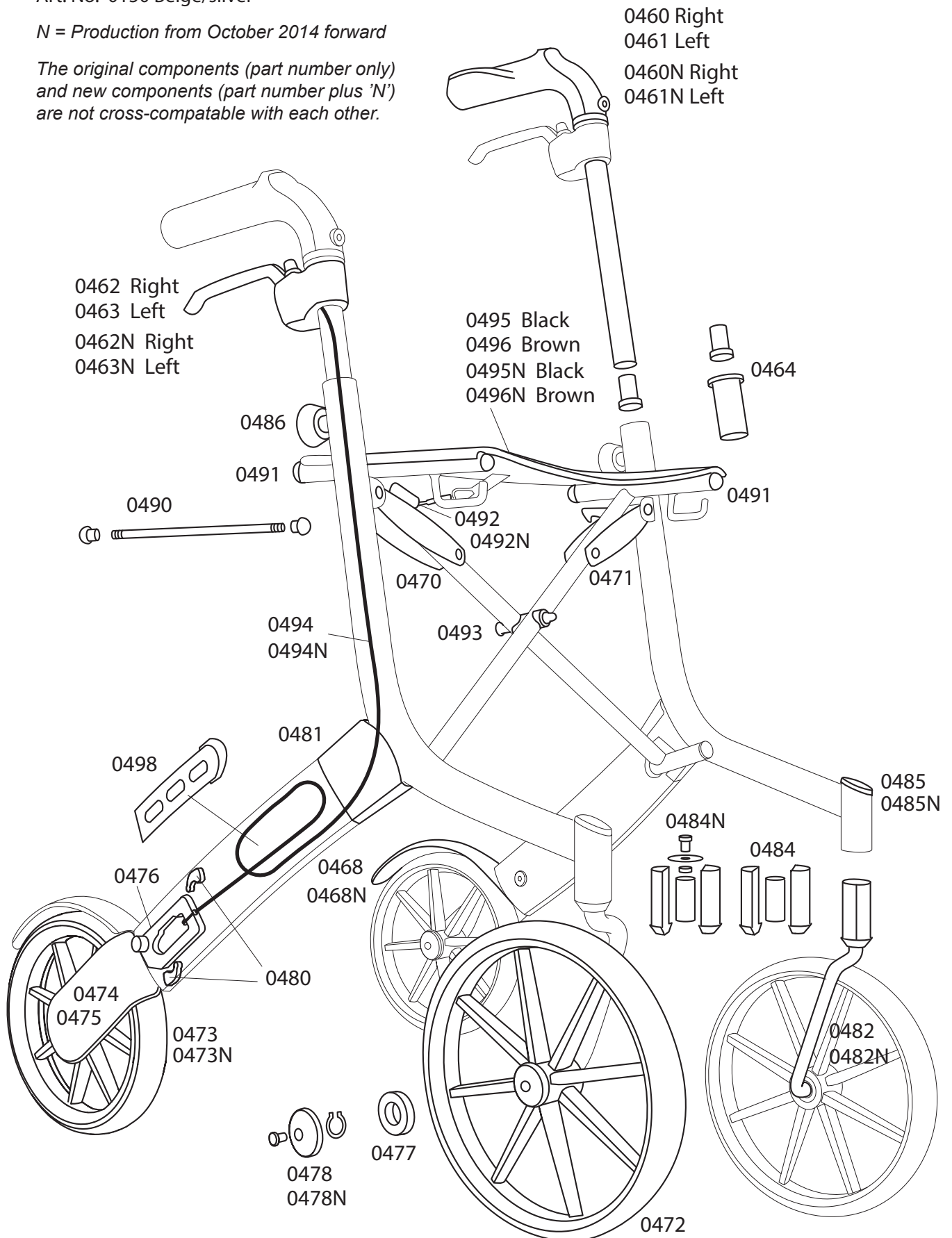
# Let's Go Out. Spare parts.

Art. No. 0120 Black/silver,

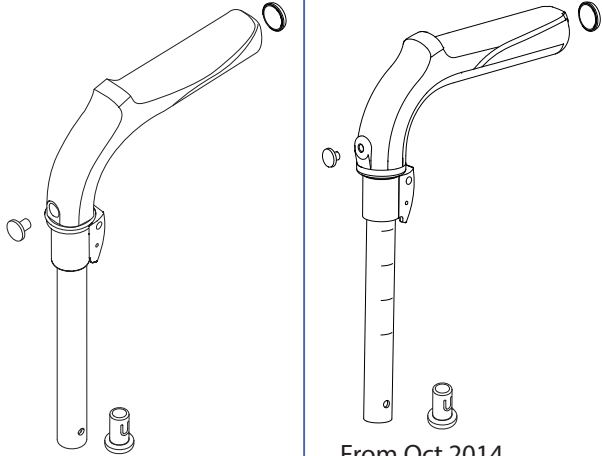
Art. No. 0150 Beige/silver

*N = Production from October 2014 forward*

*The original components (part number only) and new components (part number plus 'N') are not cross-compatible with each other.*



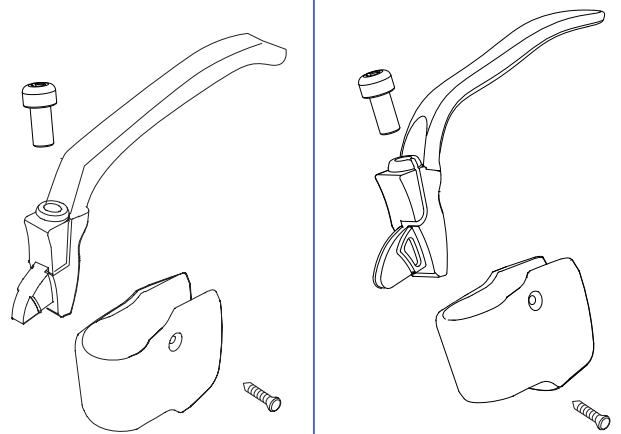
Rubber handle with tube, reflector and end stop.



Right Art. No. 0460.  
Left Art. No. 0461.

From Oct 2014  
Right Art. No. 0460N.  
Left Art. No. 0461N.

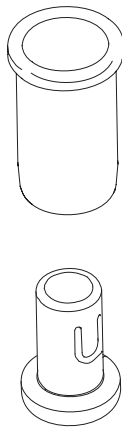
Brake lever, adjustment screw and brake housing.



Right Art. No. 0462.  
Left Art. No. 0463.

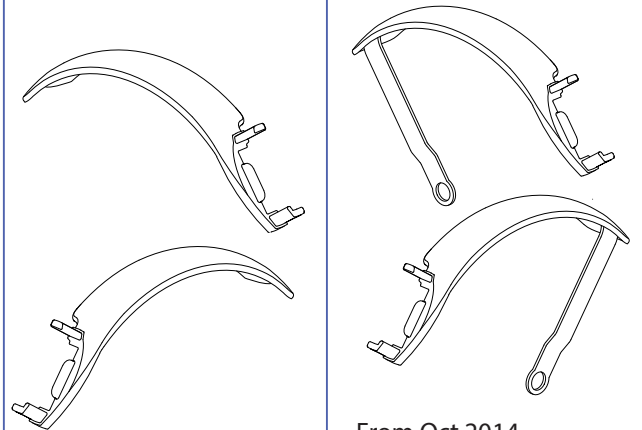
From Oct 2014  
Right Art. No. 0462N.  
Left Art. No. 0463N.

Bushing and end stop for handle tube, set.



Art. No. 0464.

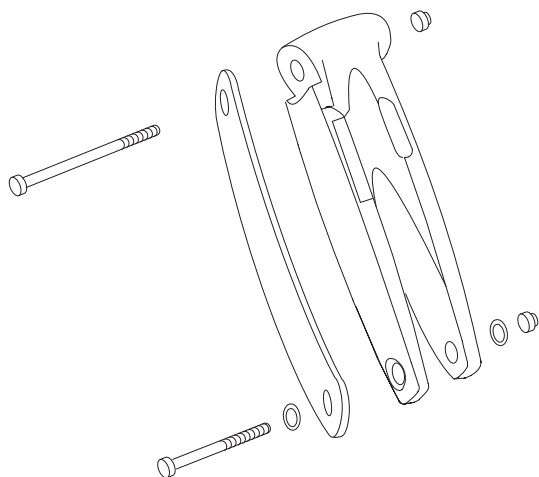
Fenders with mounting screws, set.



Right + Left  
Art. No. 0468.

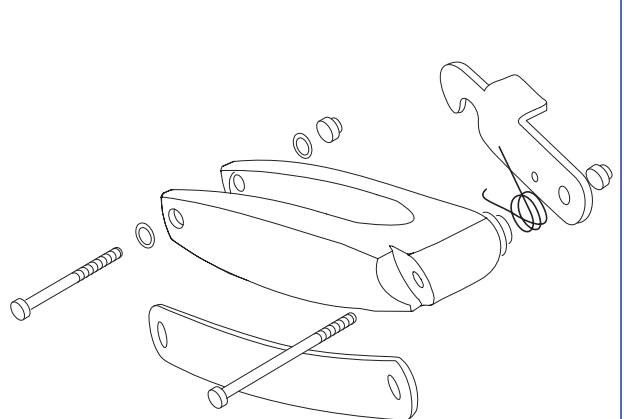
From Oct 2014  
Right + Left  
Art. No. 0468N.

Linkage arm with reinforcement and screws.



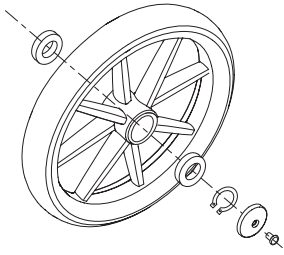
Right Art. No. 0470.

Linkage arm with reinforcement, screws and hook.

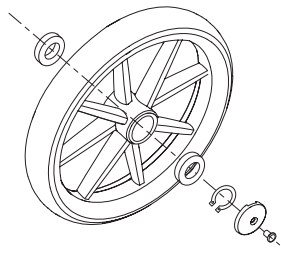


Left Art. No. 0471.

Rear wheel with bearings, cap, and mounting set.

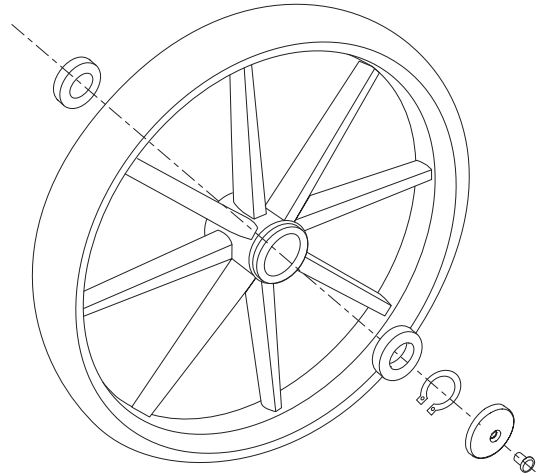


Art. No. 0473.



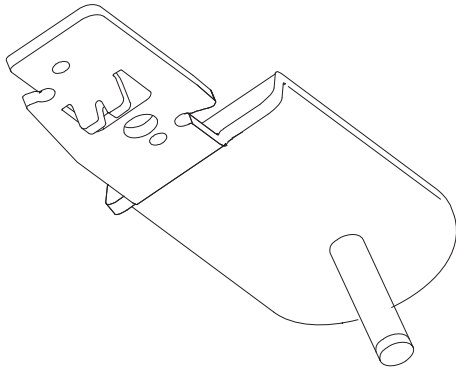
From Oct 2014  
Art. No. 0473N.

Front wheel with bearings, cap, and mounting set.



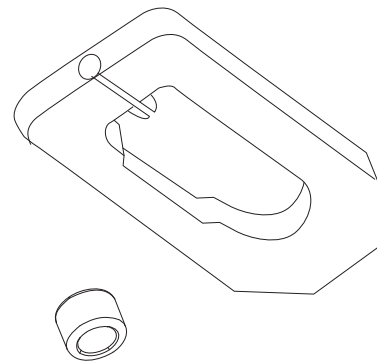
Art. No. 0472.

Rear wheel bracket.



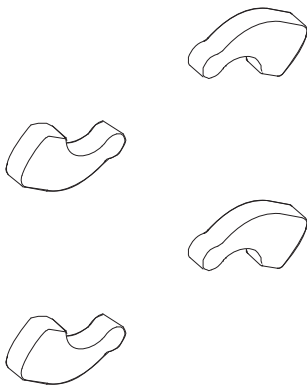
Right Art. No. 0474. Left Art. No. 0475.

Brake yoke with distance sleeve.



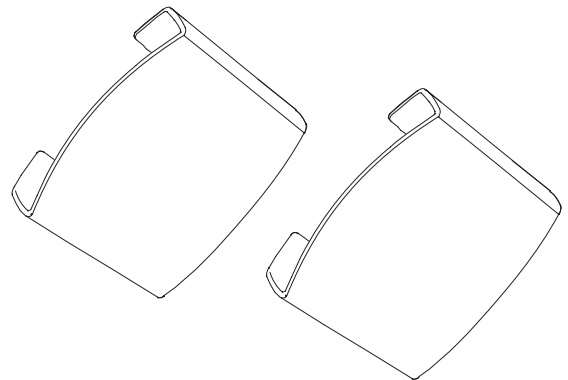
Art. No. 0476.

Rubber spring for left and right rear wheels.



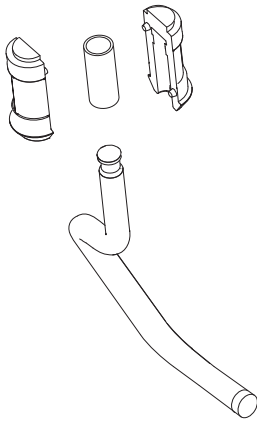
Set 4 pcs.  
Art. No. 0480.

Side cap for left and right rear legs.

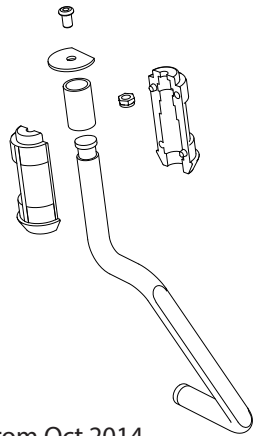


Set 2 pcs.  
Art. nr. 0481.

Front fork with front fork bearings, set 2 pcs.

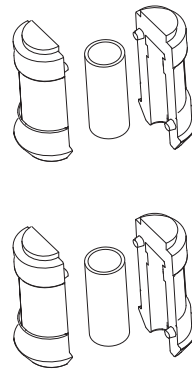


Left + Right  
Art. No. 0482.

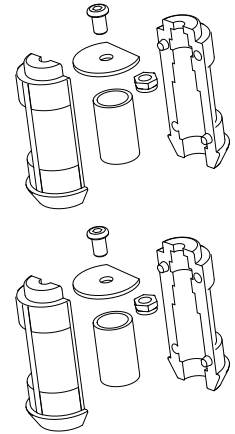


From Oct 2014  
Left + Right  
Art. No. 0482N.

Front fork bearings, set 2 pcs.

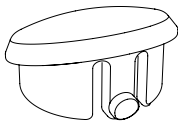


Art. No. 0484.

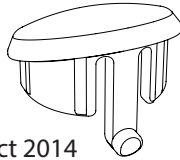


From Oct 2014  
Art. No. 0484N.

Top cap for front fork tube. Set 2 pcs.

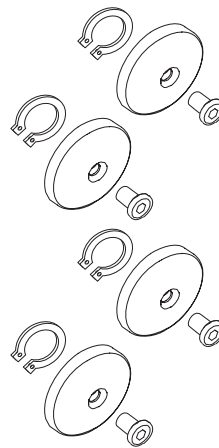


Art. No. 0485.

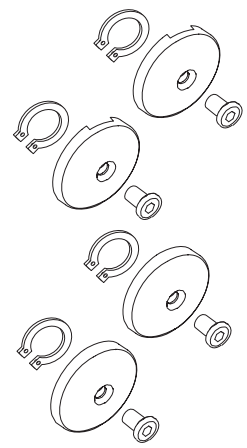


From Oct 2014  
Art. No. 0485N.

Mounting set for front and rear wheels. Set 4 pcs.

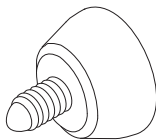


Art. No. 0478.

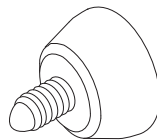


From Oct 2014  
Art. No. 0478N.

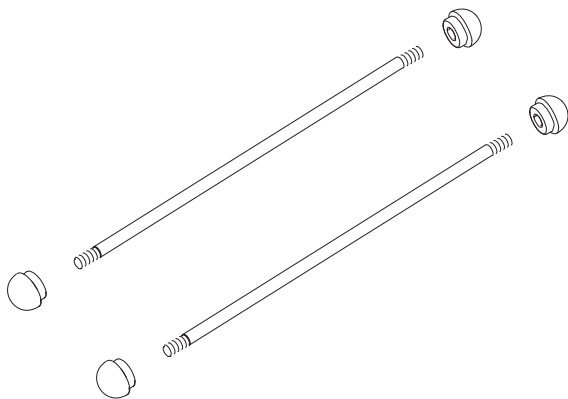
Handle height adjustment knob. Set 2 pcs.



Art. No. 0486.

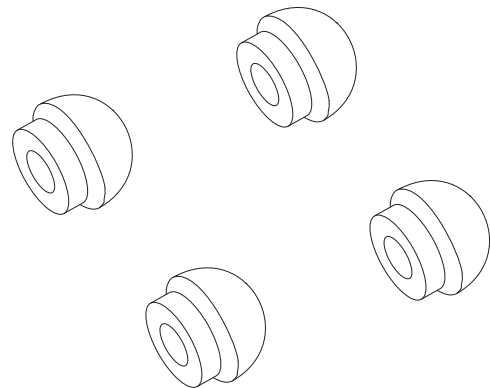


Mounting set for seat. 2 pcs.



Art. No. 0490.

Dome nuts for seat mounting. Set 4 pcs.



Art. No. 0491.

**Seat.**

With snap-hook  
Black Art. No. 0495.  
Brown Art. No. 0496.

From Oct 2014  
With adjustment band  
Black Art. No. 0495N.  
Brown Art. No. 0496N.

**Unfold hook with mounting screws and spring.**

With adjustment screw  
Art. No. 0492.

From Oct 2014  
For adjustment band  
Art. No. 0492N.

**Ball bearings for front and rear wheels. Set 4 pcs.**

Art. No. 0477.

**Middle screw for folding cross, complete.**

Art. No. 0493.

**Brake wire with spring for left and right side.**

Set 2 pcs.  
Art. nr. 0494.

From Oct 2014  
Set 2 pcs.  
Art. nr. 0494N.

**Break wire guide inside rear leg. Set 2 pcs.**

Art. No. 0498.