

SERVICE MANUAL

Let's Fly Outdoor rollator
from Trustcare



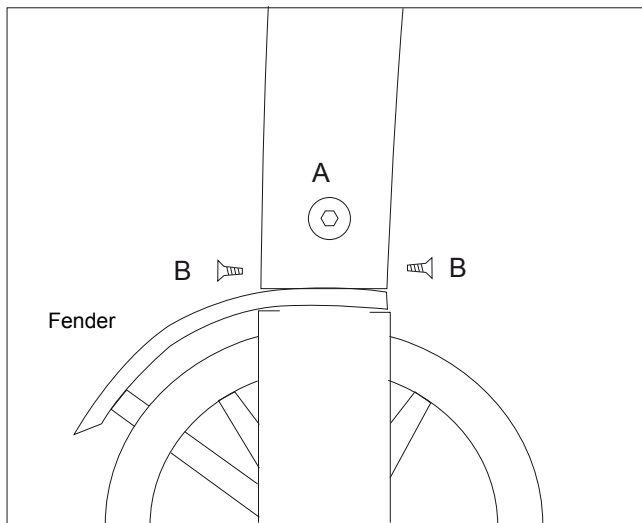
TABLE OF CONTENTS

Exchange of fender	Art. No. 0468N	Page 3
Exchange of rear wheel	Art. No. 0473N	Page 4
Exchange of rear wheel mounting plate	Art. No. 0474, 0475	Page 5
Exchange of brake yoke	Art. No. 0476	Page 7
Exchange of rubber springs	Art. No. 0480	Page 8
Exchange of front wheel	Art. No. LF304	Page 9
Exchange of brake housing and brake lever	Art. No. LF306	Page 10
Exchange of front fork and bearings	Art. No. LF318	Page 12
Exchange of seat	Art. No. LF301, LF302, LF324	Page 13
Exchange of brake wire	Art. No. LF305	Page 14
Exchange of handle and handle tube	Art. No. LF307, LF308	Page 16
Exchange of linkage arm	Art. No. LF312, LF321	Page 18
Exchange of wire guide	Art. No. LF313	Page 19
Exchange of height adjustment	Art. No. LF320	Page 20
Exchange of middle joint folding cross	Art. No. LF326	Page 21
Exchange of unfold hook	Art. No. LF311	Page 22
Adjustment of unfold hook	Art. No. LF311	Page 23
Adjustment of brake/parking brake	Art. No. LF306	Page 23

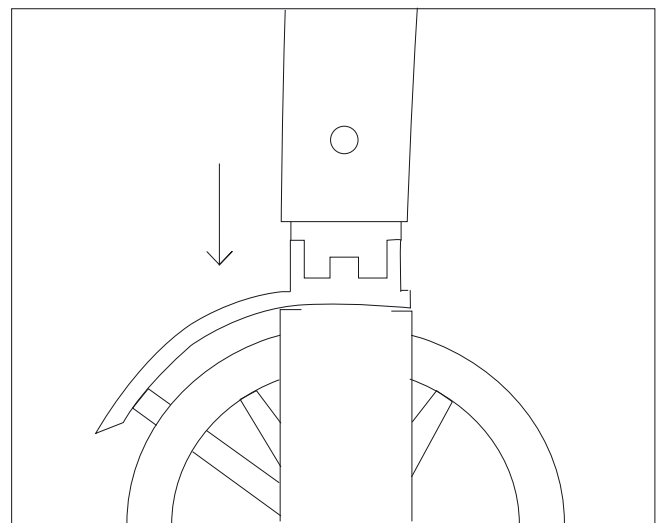
Exchange of fender Let's Fly.

Let's Fly Spare part. Art. No. 0468N.

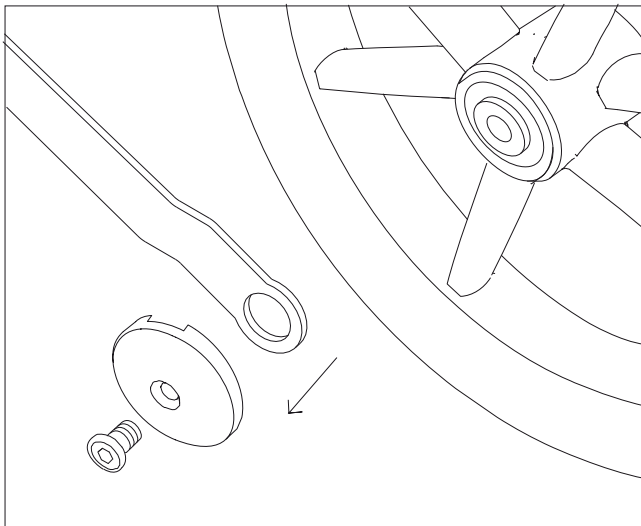
Let's Fly Service Manual. Revision version No: 2 – Aug 2017



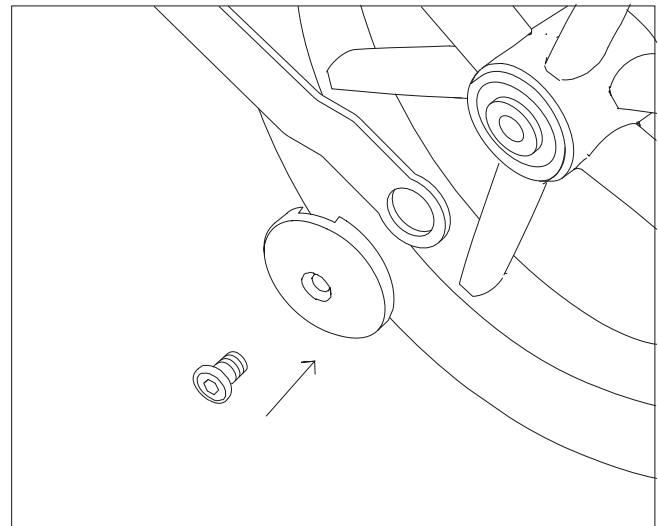
1. Unscrew the double screw A and the two screws B holding the fender.



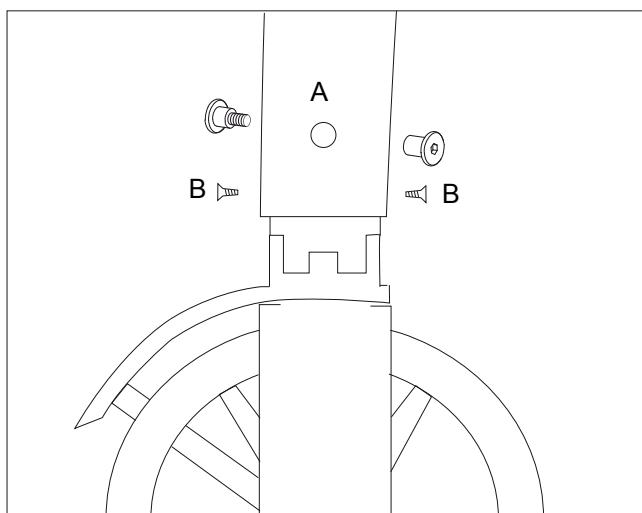
2. Pull out the rear wheel mounting plate just enough to free the fender.



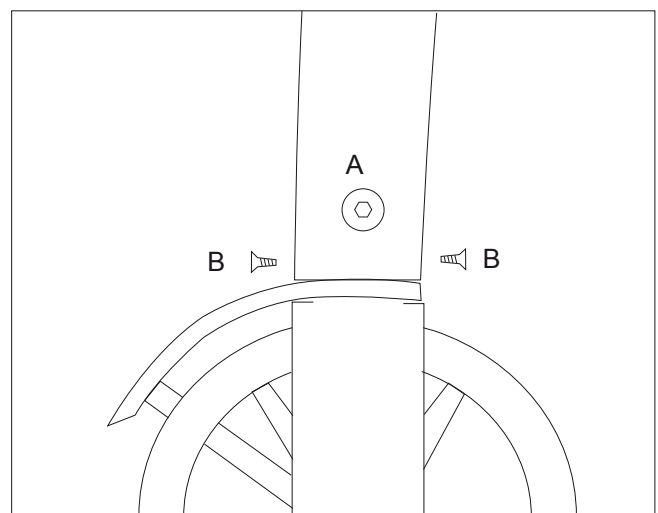
3. Unscrew the wheel cap and remove the damaged fender.



4. Screw the new fender and the wheel cap in place.



5. Turn the fender into correct position and tighten the wheel cap screw..

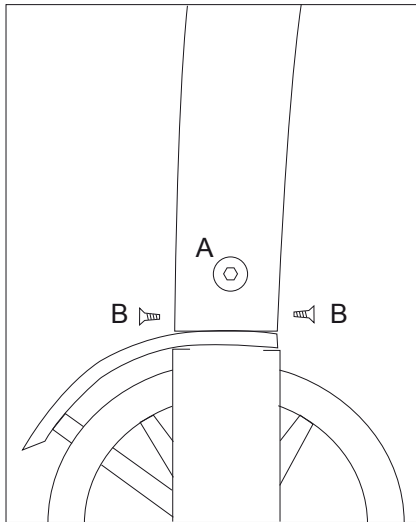


6. Push the assembly into the rear leg and screw back the screws A and B.

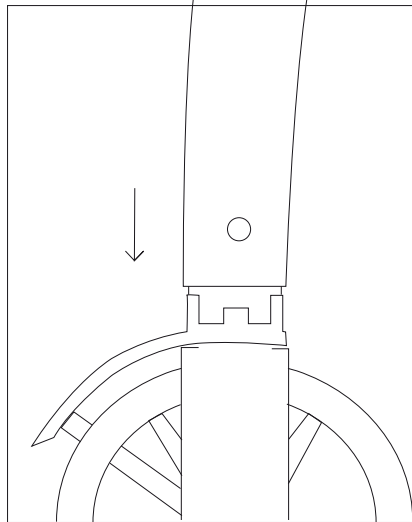
Exchange of rear wheel Let's Fly.

Let's Fly Spare part. Art. No. 0473N.

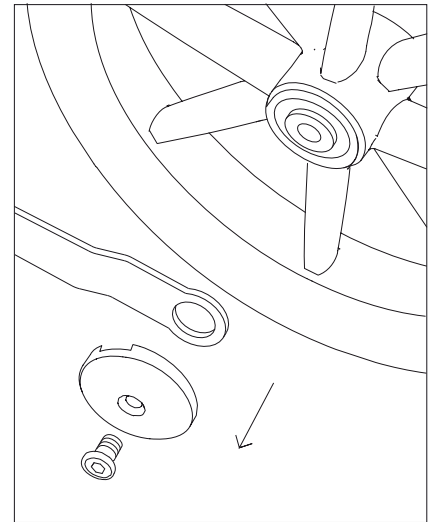
Let's Fly Service Manual. Revision version No: 2 – Aug 2017



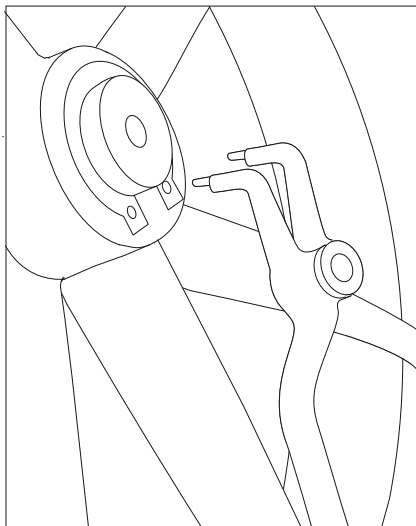
1. Unscrew the double screw A and the two screws B holding the fender.



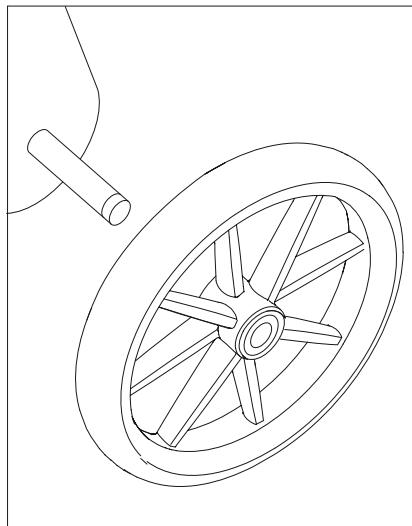
2. Pull out the rear wheel mounting plate just enough to free the fender.



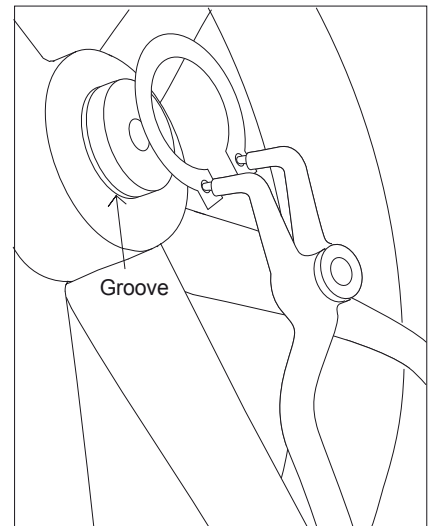
3. Unscrew the wheel cap and remove the fender.



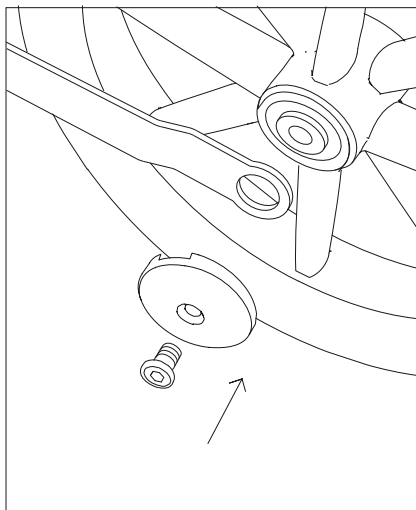
4. To replace the rear wheel, open the retaining ring (snap-ring) with a pliers.



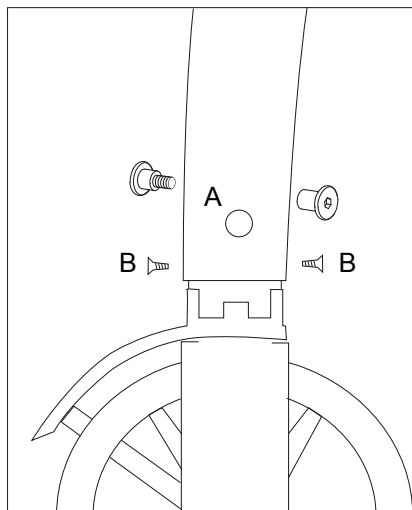
5. The wheel can be taken off and replaced with a new one.



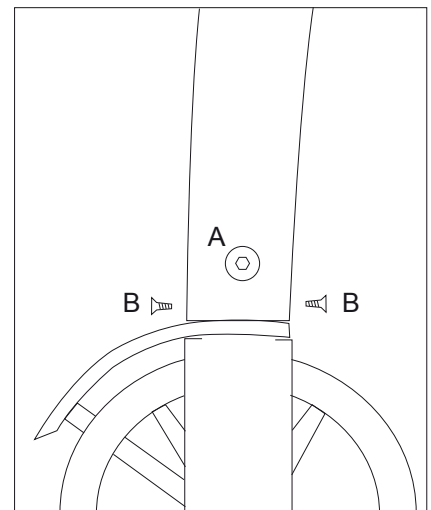
6. Use the pliers to lock the new snap-ring firmly into the groove on the axle.



7. Screw the fender and the wheel cap back in place.



8. Turn the fender in correct position and tighten the wheel cap screw.

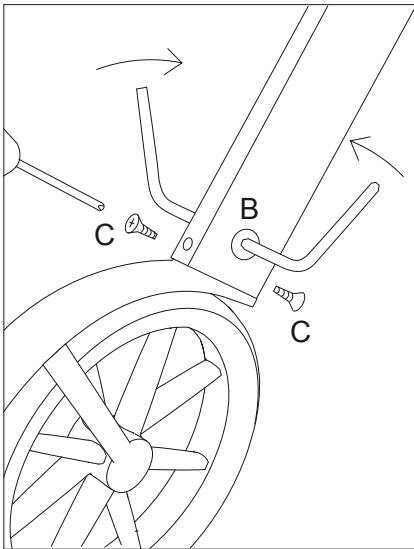


9. Screw back the screws A and B.

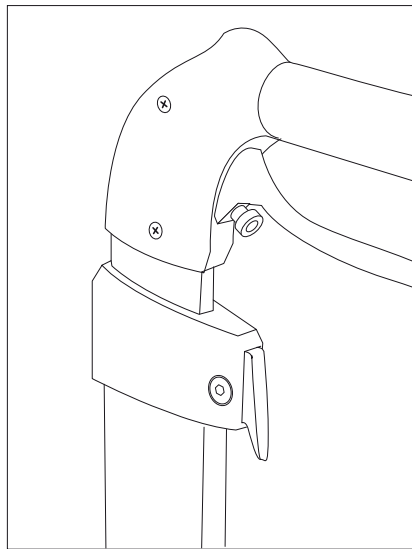
Exchange of rear wheel mounting plate. Page 1.

Let's Fly Spare part. Art. No. 0474, 0475.

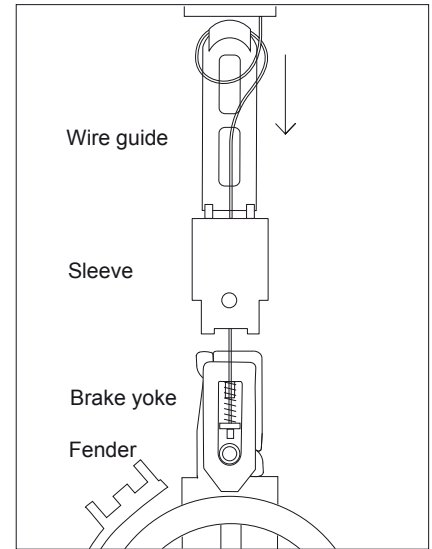
Let's Fly Service Manual. Revision version No: 2 – Aug 2017



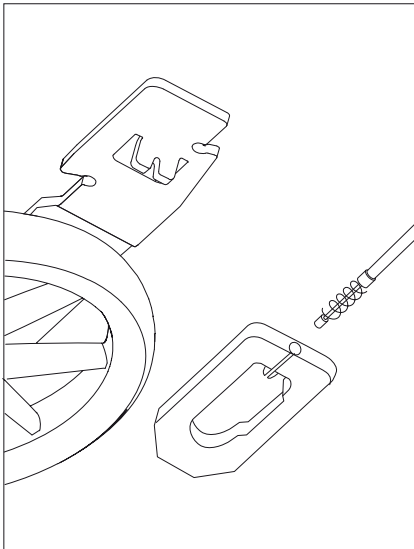
1. Unscrew the double screw B and the two screws C holding the fender.



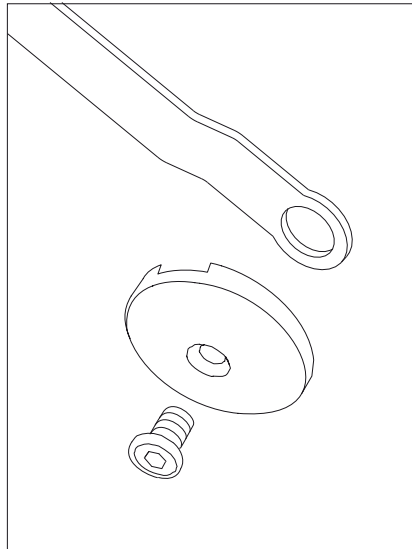
2. Put the handle in lowest position.



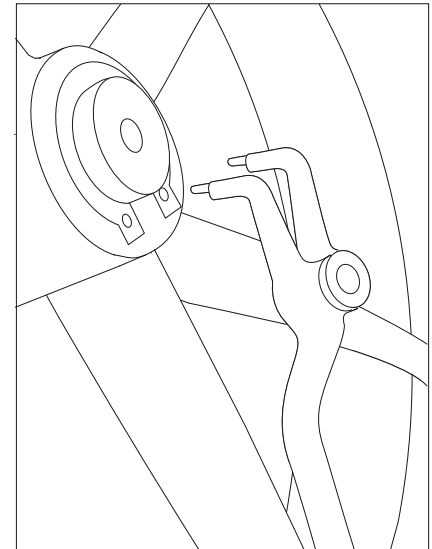
3. Pull out the brake, sleeve, fender, and the wire guide from the rear leg.



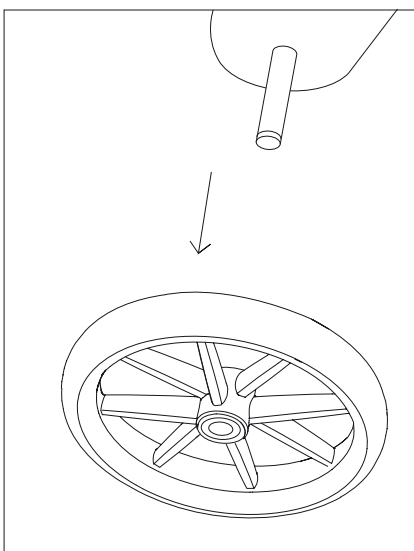
4. Remove the yoke from the wire and the mounting plate.



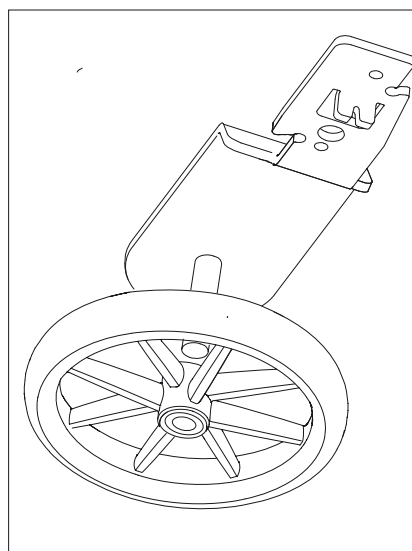
5. Unscrew the wheel cap and remove the fender.



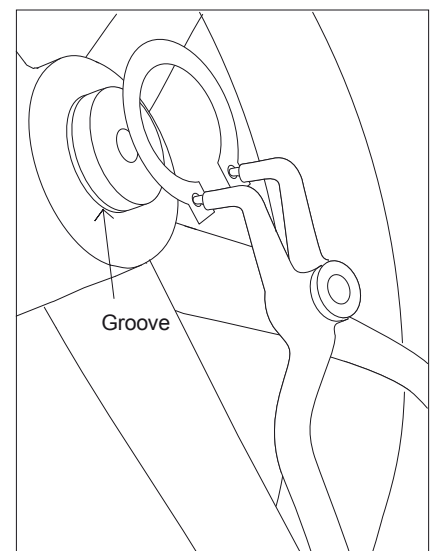
6. To remove the wheel, remove the retaining ring (snap-ring) with a pliers.



7. Remove the wheel from the old mounting plate



8. Put the wheel on the new mounting plate.

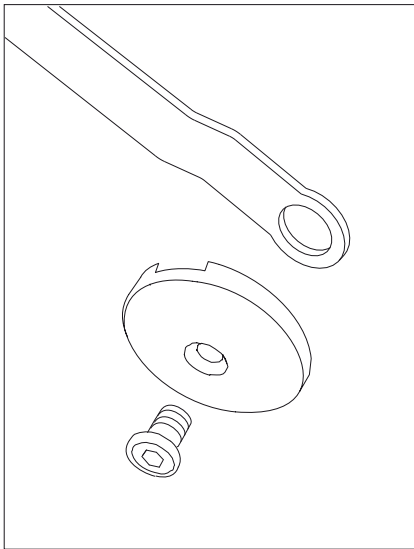


9. Use the pliers to lock the snap-ring firmly into the groove on the axle.

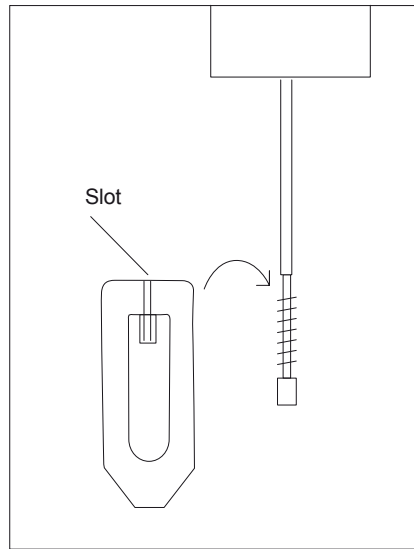
Exchange of rear wheel mounting plate. Page 2.

Let's Fly Spare part. Art. No. 0474, 0475.

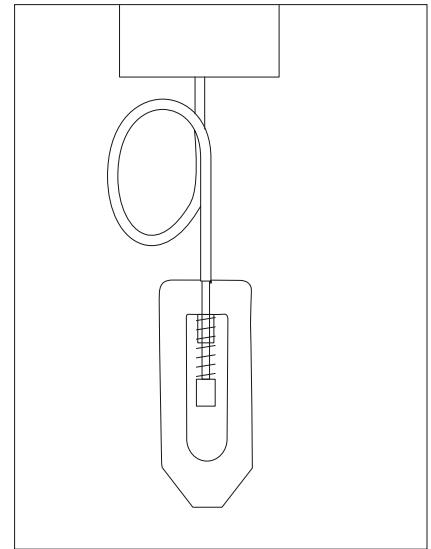
Let's Fly Service Manual. Revision version No: 2 – Aug 2017



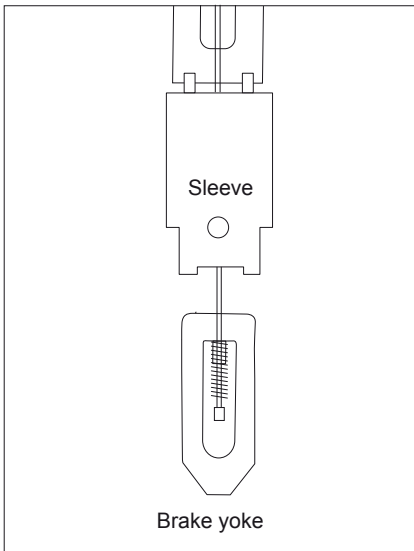
10. Put back the fender and wheelcap.



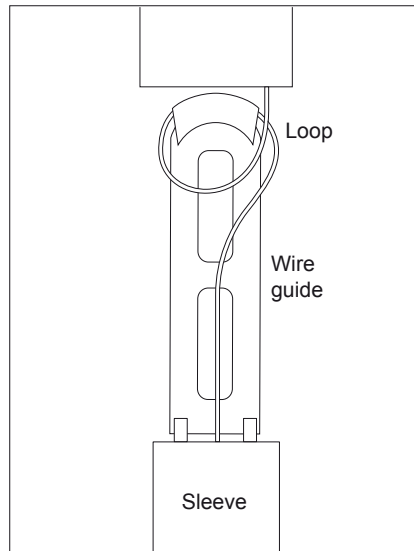
11. Mount the wire and the spring on the yoke.



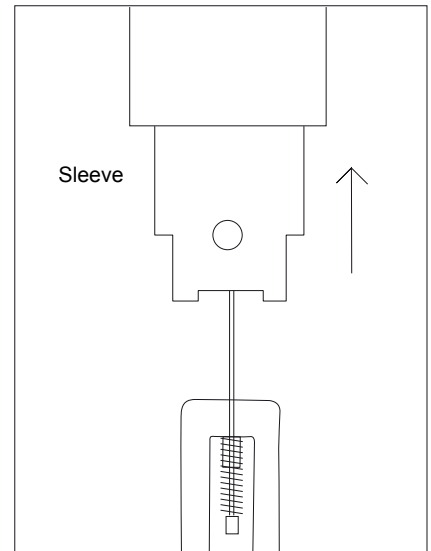
12. Check brake function when the wire has a loop, see picture.



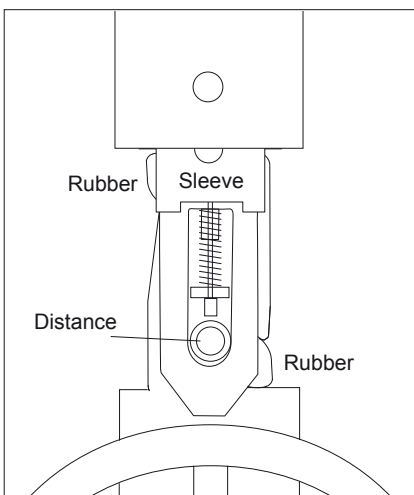
13. Attach the wire guide to the top of the sleeve.



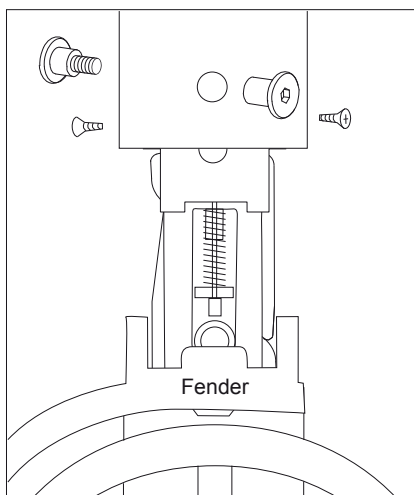
14. Make a loop on the wire.



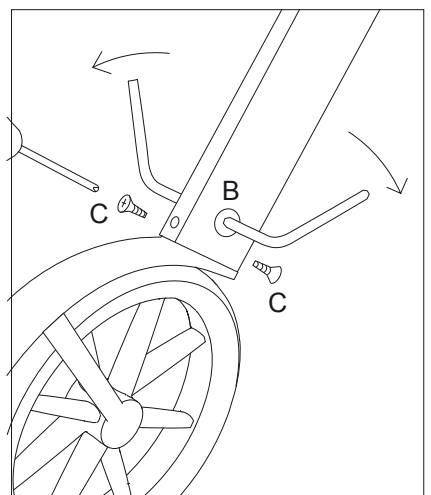
15. Push the sleeve and wire guide into the rear leg.



16. Mount the brake yoke and wire onto the wheel plate.



17. Put the fender in place.

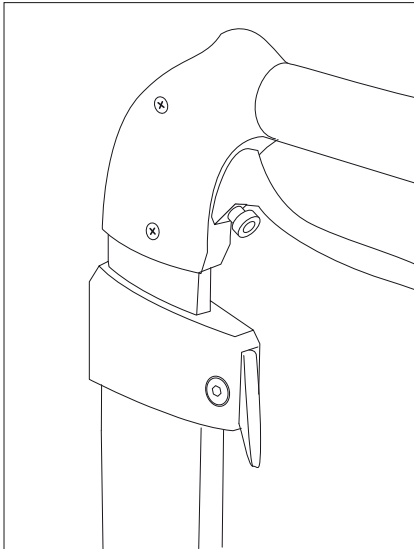


18. Push the whole assembly into rear leg and screw back the screws.

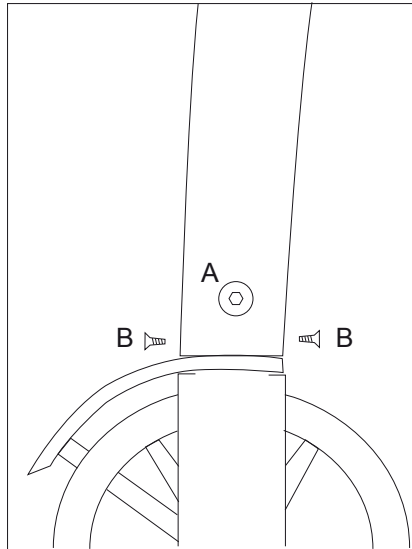
Exchange of brake yoke.

Let's Fly Spare part. Art. No. 0476.

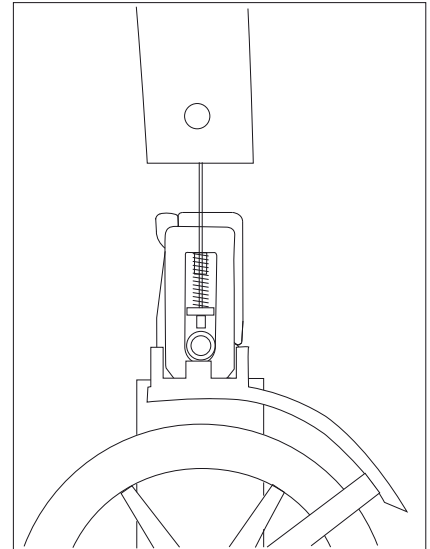
Let's Fly Service Manual. Revision version No: 2 – Aug 2017



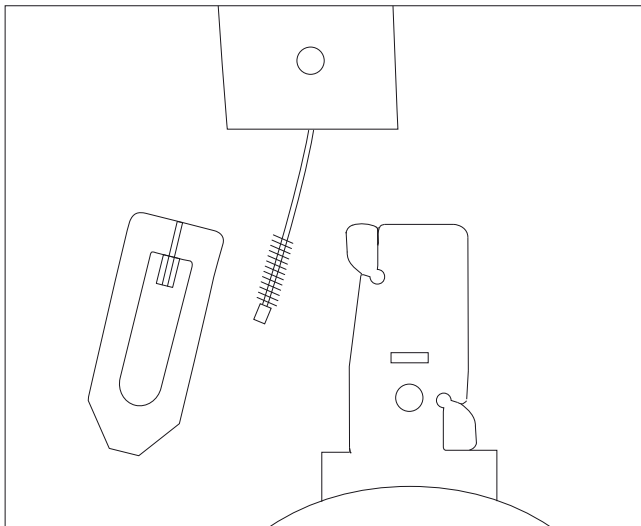
1. Push the handle down to lowest position.



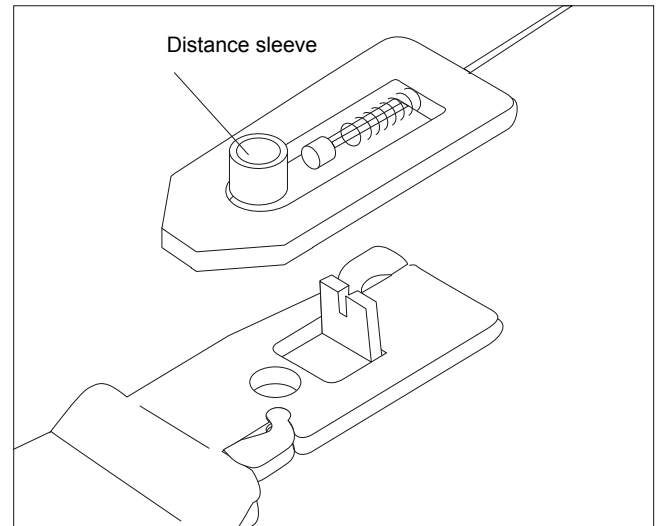
2. Unscrew the double screw A and the two screws B holding the fender.



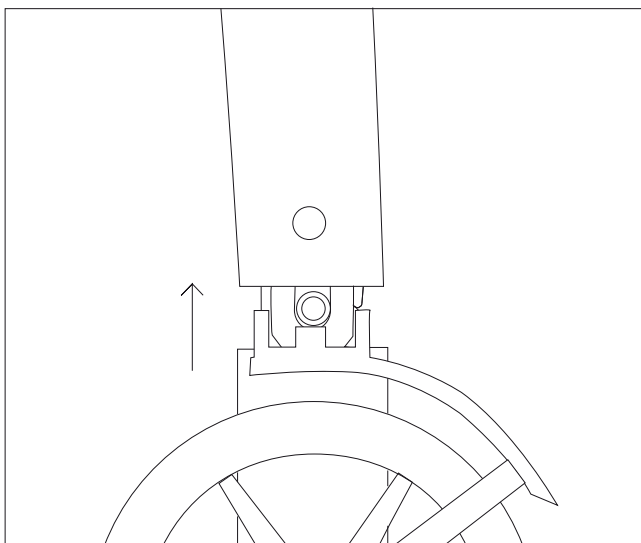
3. Pull out the mounting plate with the brake yoke from the rear leg.



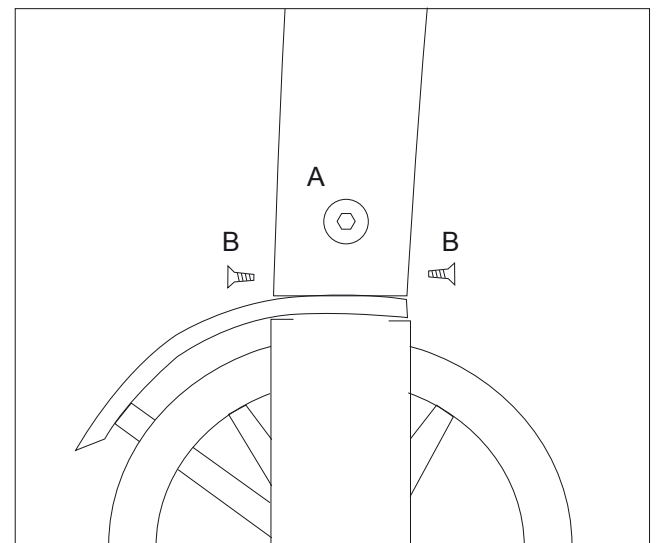
4. Remove the damaged brake yoke and put in the new one.



5. Mount the yoke and distance sleeve and wire on the wheel mounting plate.



6. push the whole assembly into the rear leg including the fender.

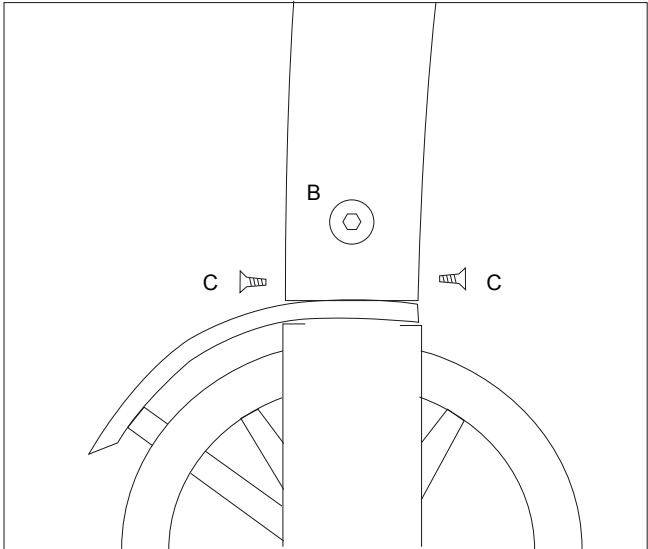


7. Screw the double screw A and the two screws B back in place.

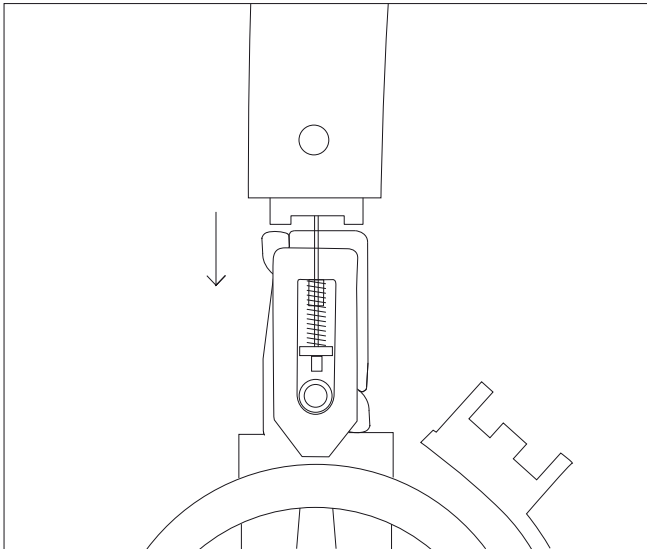
Exchange of rubber springs on rear wheel.

Let's Fly Spare part. Art. No. 0480.

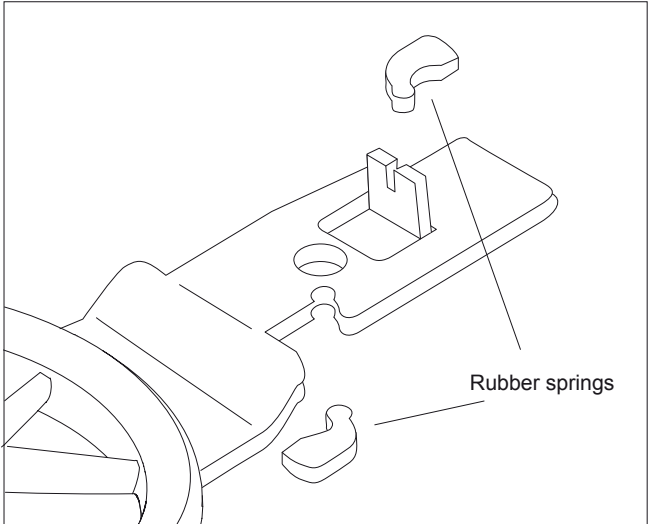
Let's Fly Service Manual. Revision version No: 2 – Aug 2017



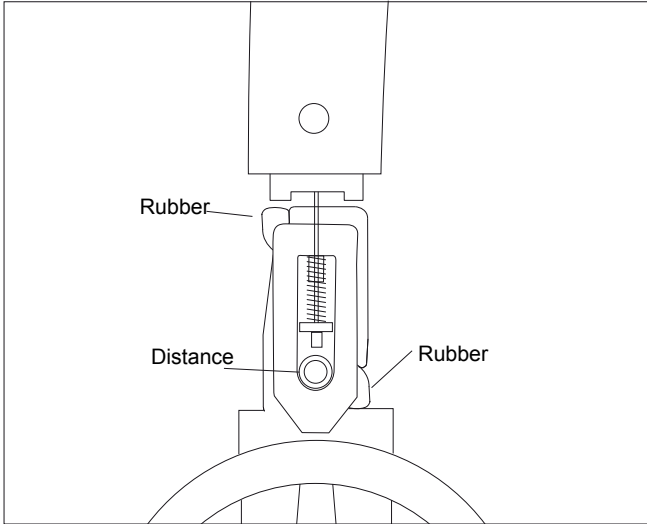
1. Unscrew the double screw B and the two screws C holding the fender.



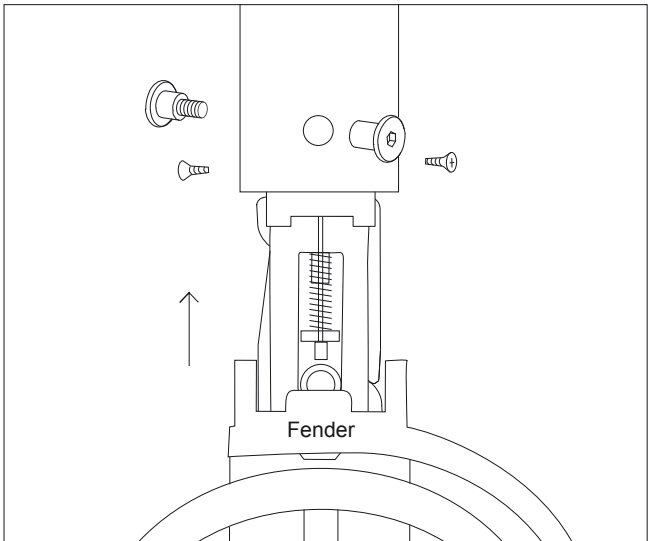
2. Pull out the brake just enough so you can take away the rubber springs.



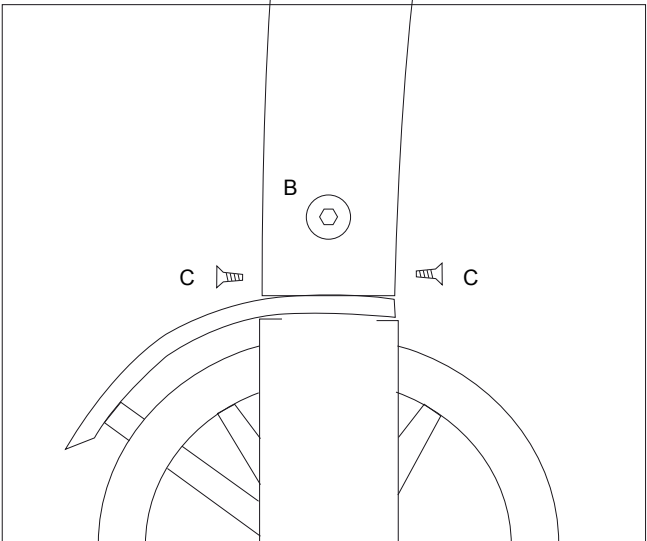
3. Remove the damaged rubber springs and put in the new ones.



4. Don't forget to put the distance sleeve into the yoke.



5. Put fender in place and push the whole brake assembly into the rear leg including the fender.

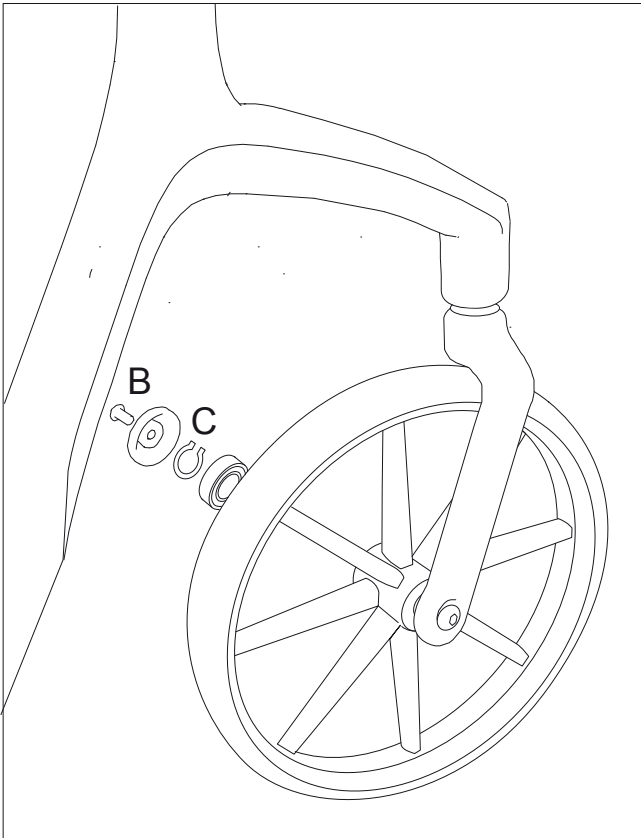


6. Screw the double screw B and the two screws C back in place.

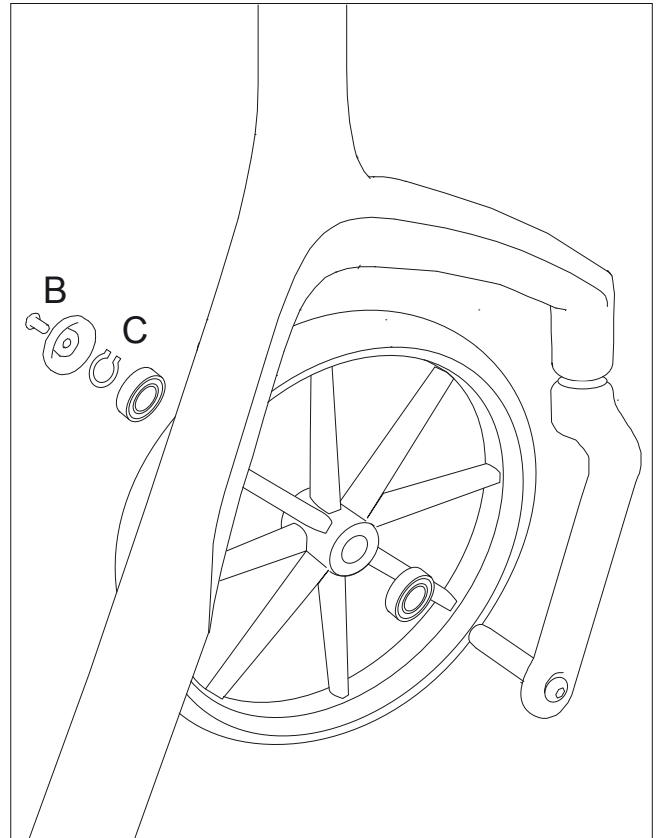
Exchange of front wheel Let's Fly.

Let's Fly Spare part. Art. No. LF 304.

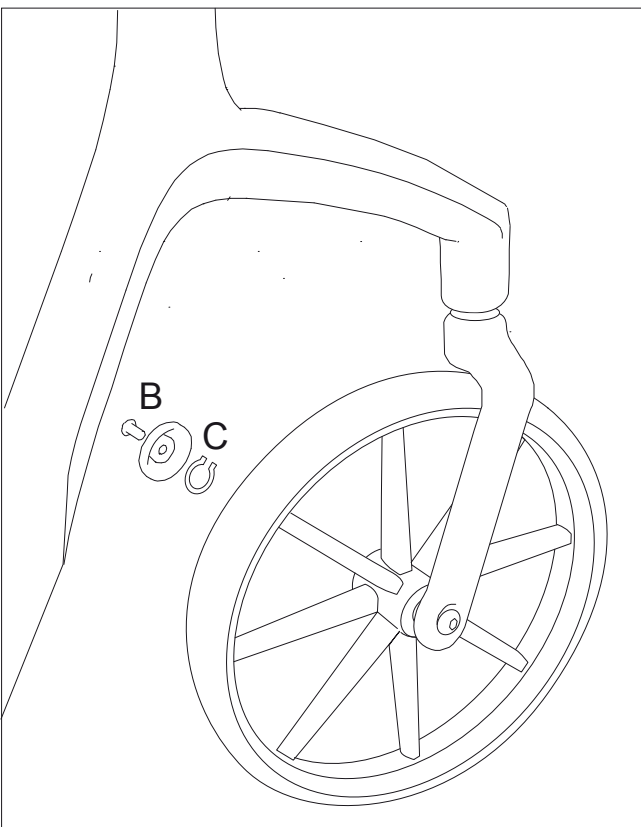
Let's Fly Service Manual. Revision version No: 2 – Aug 2017



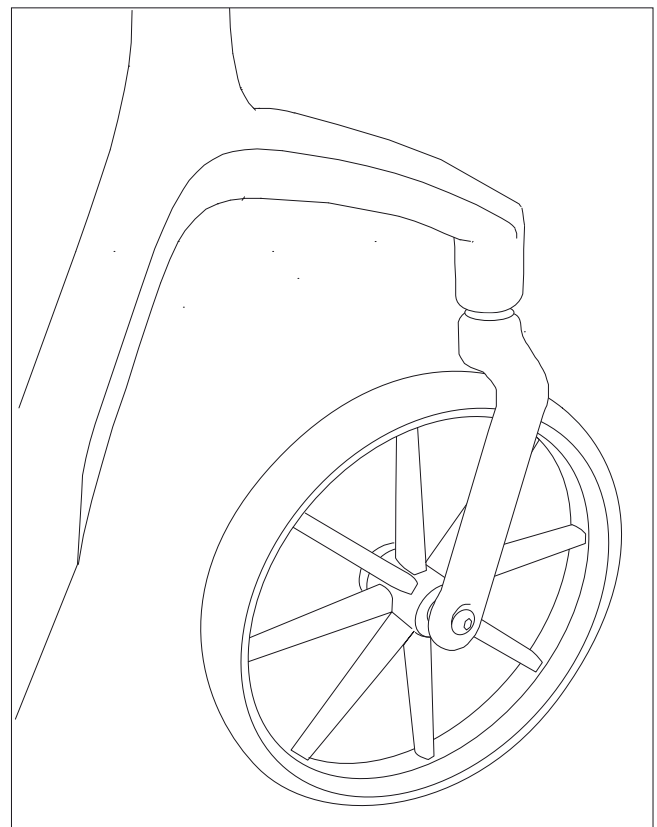
1. Unscrew screw B and remove the C-clip at C.



2. Remove the old wheel from the front fork.



3. Put the new wheel onto the axle including the two ball bearings.

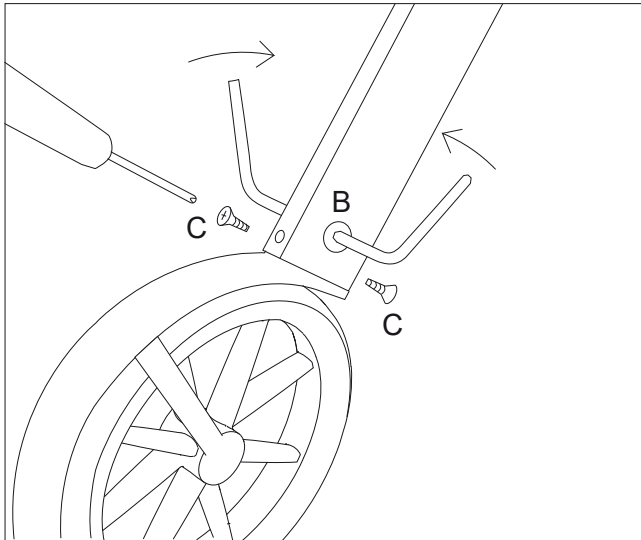


4. Lock the wheel with the C-clip and screw the hub cap in place over the hub with screw B.

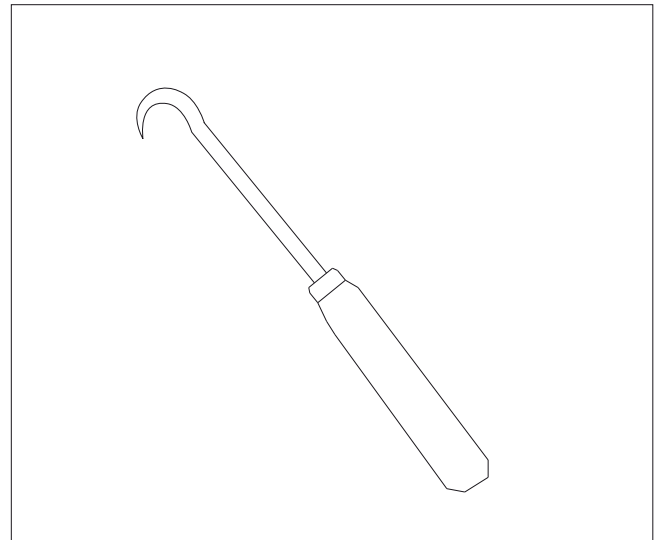
Exchange of brake housing, brake lever. Page 1

Let's Fly Spare part. Art. No. LF306.

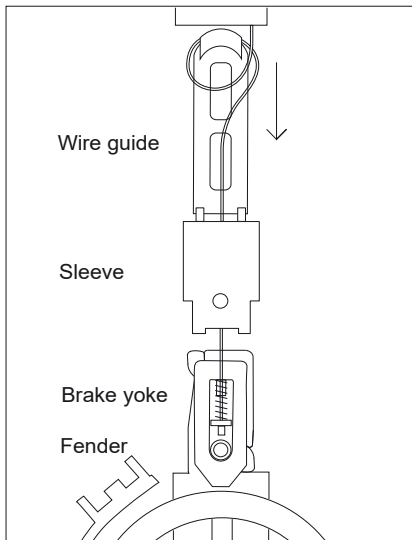
Let's Fly Service Manual. Revision version No: 3 – Okt 2019



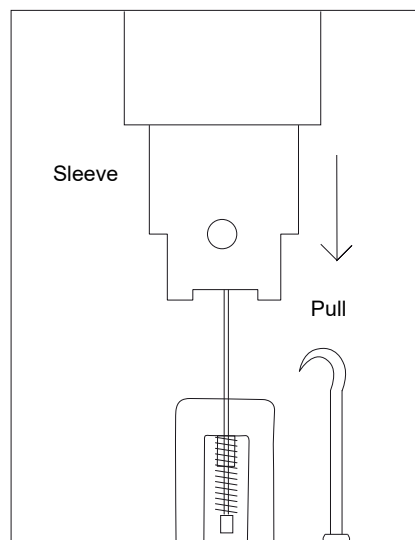
1. Unscrew the double screw B and the two screws C holding the fender.



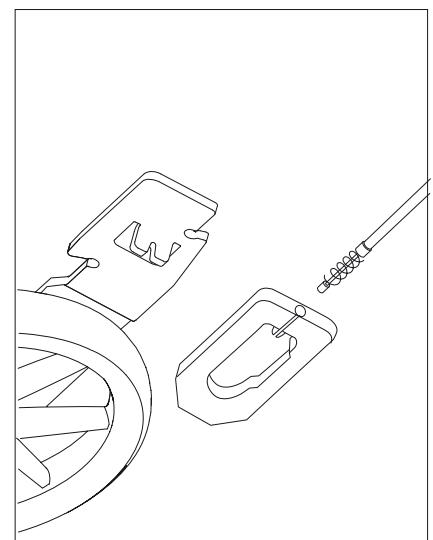
2. To make it simple to remove the brake components you can use a hook tool like the one in the picture.



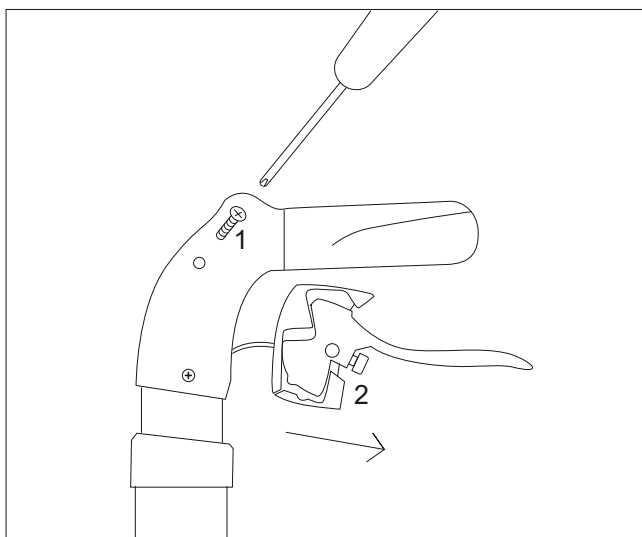
3. Pull out the brake fender.



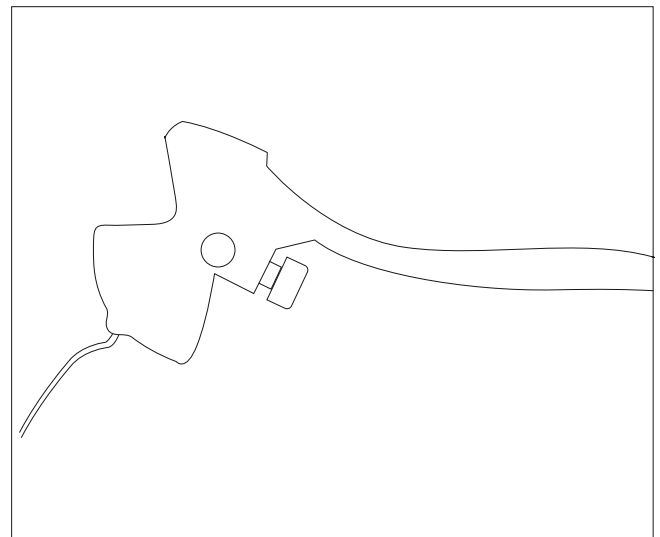
4. Use the hook tool to pull out the sleeve and wire guide separately.



5. Unmount the brake from the wire.



6. Unscrew the screw on the handle and pull out the brake housing and brake lever .

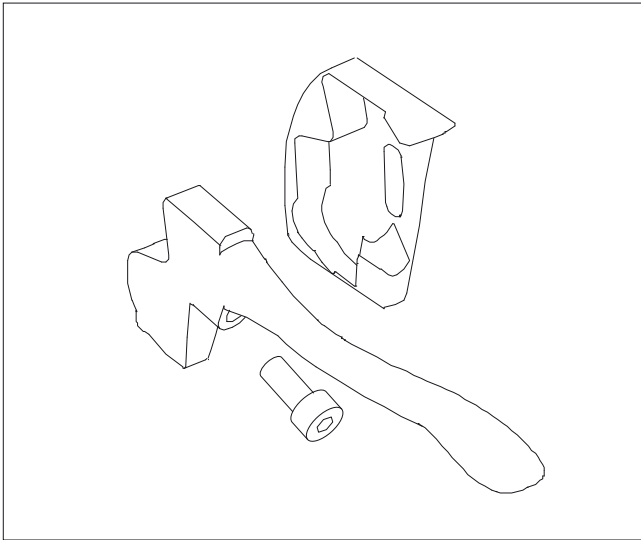


7. Don't remove the brake wire from the old brake handle.

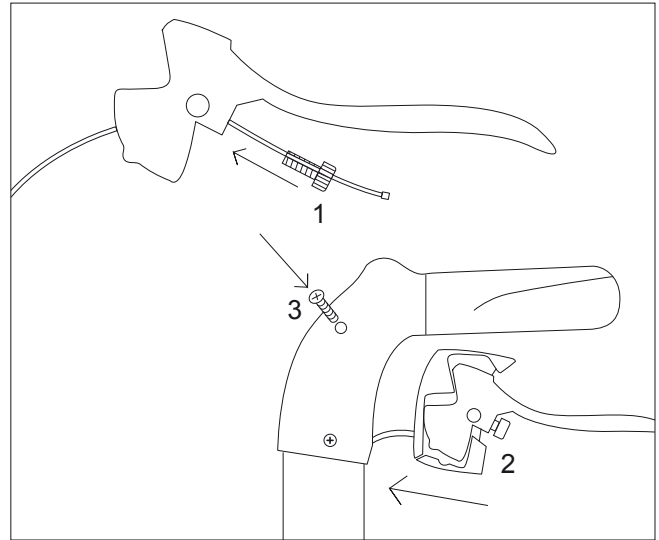
Exchange of brake housing, brake lever. Page 2

Let's Fly Spare part. Art. No. LF306.

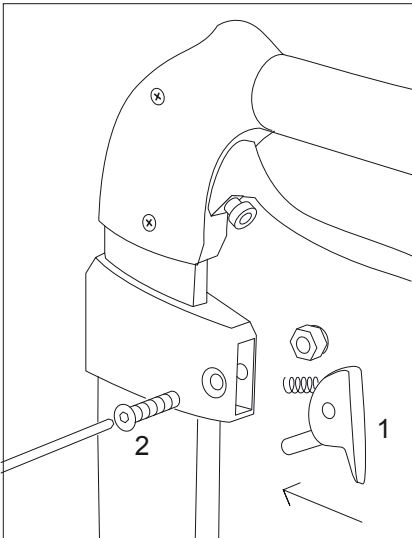
Let's Fly Service Manual. Revision version No: 2 – Aug 2017



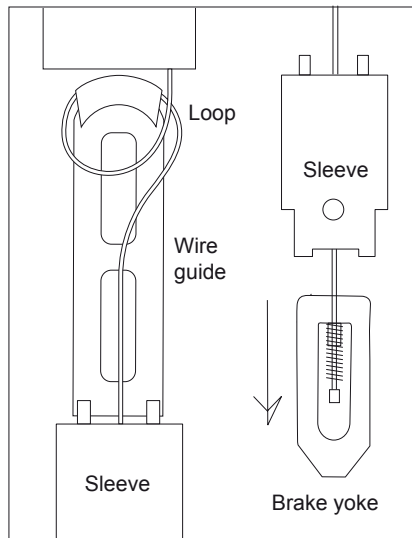
8. Now the new lever and housing can be mounted.



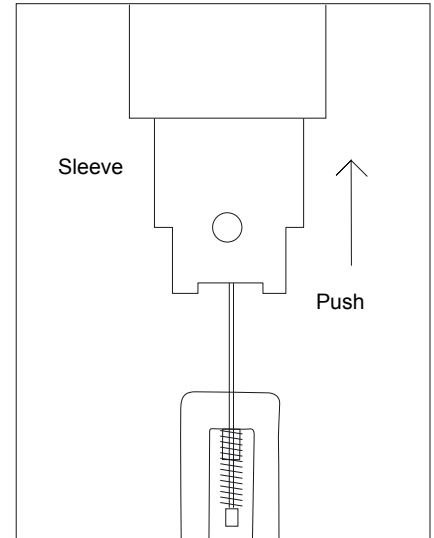
9. Attach the wire to the adjustment screw and screw the brake mechanism into the handle.



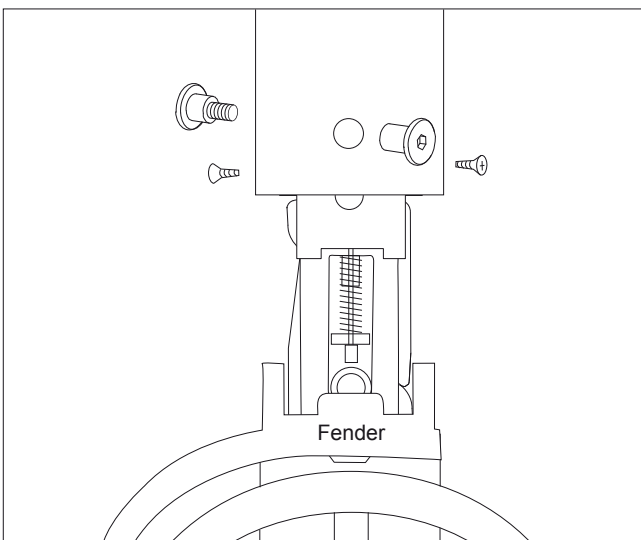
10. Screw the height adjustment mechanism back in place.



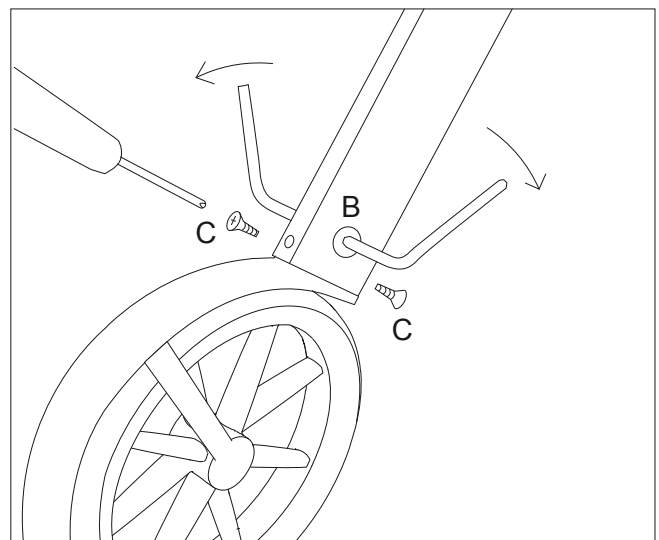
11. Make a wire loop on the wire guide. Put the wire on the yoke.



12. Push the sleeve and wire guide into the rear leg.



13. Mount the yoke on the wheel mounting plate and turn the fender into correct angle.

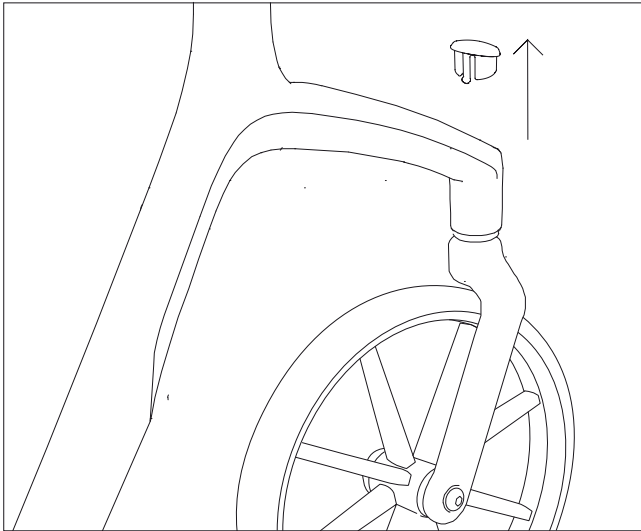


14. Push the whole assembly into the rear leg and screw back the screws B and C.

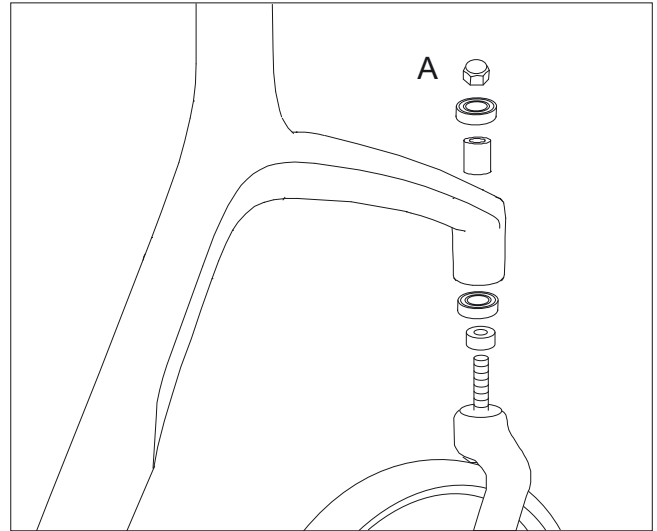
Exchange of front fork and bearings Let's Fly.

Let's Fly Spare part. Art. No. LF 318 LF322.

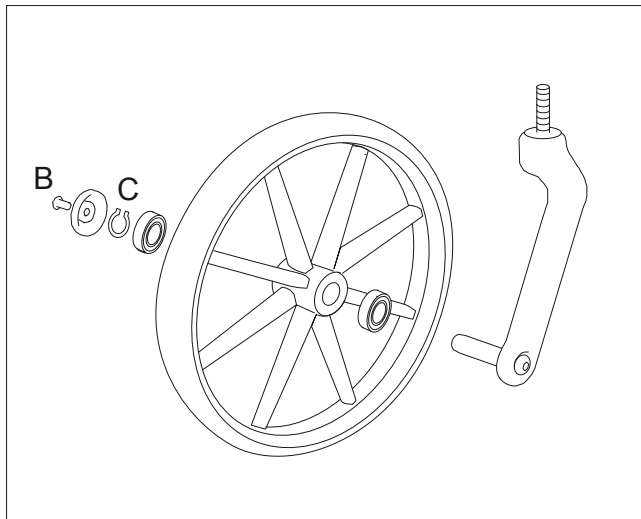
Let's Fly Service Manual. Revision version No: 2 – Aug 2017



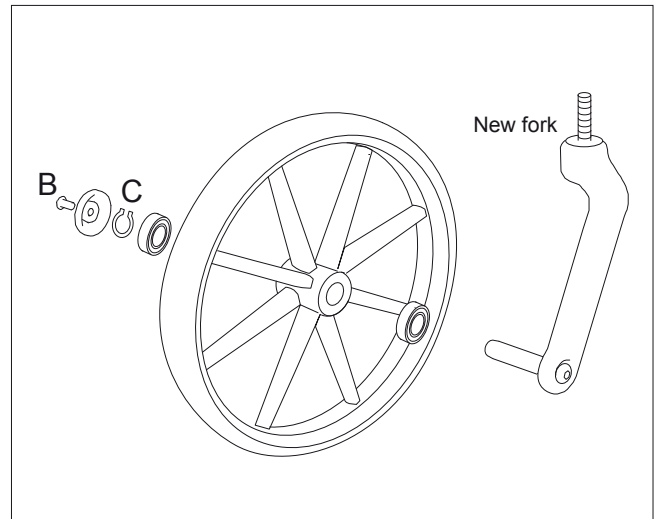
1. Remove the plastic top cap.



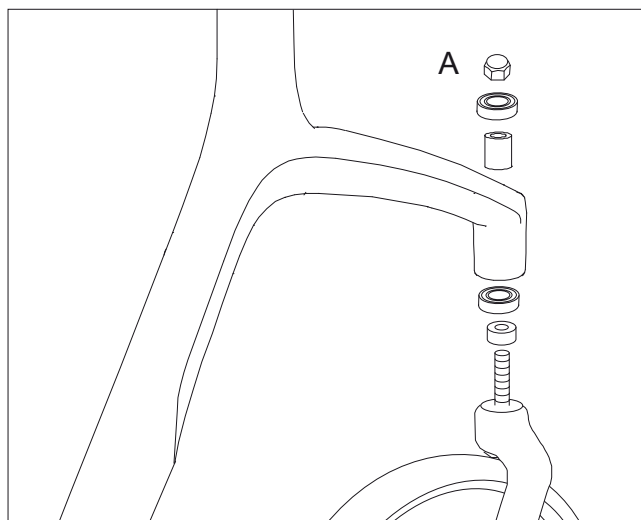
2. Unscrew the nut A and take out the front fork and bearings.



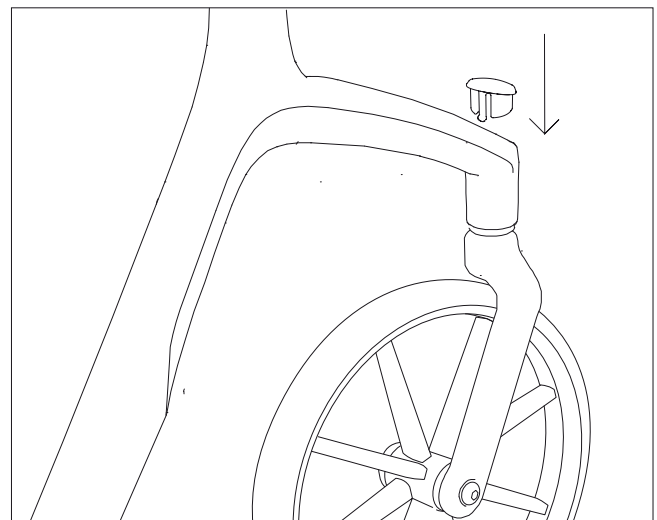
3. Unscrew screw B, remove the C-clip and remove the wheel from the fork.



4. Mount the wheel on the new fork with clip C and screw B including the two ball bearings.



5. Mount the new bearing into the front leg of the rollator and tighten nut A.

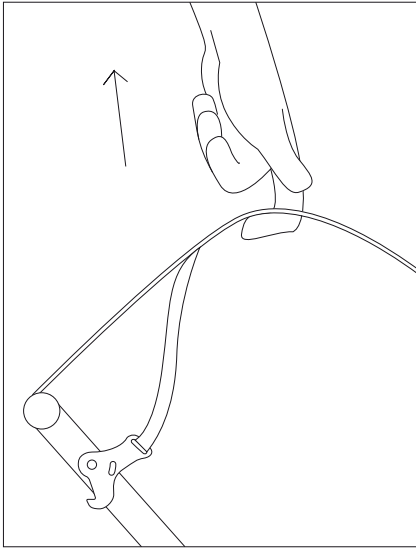


6. Put back the plastic top cap.

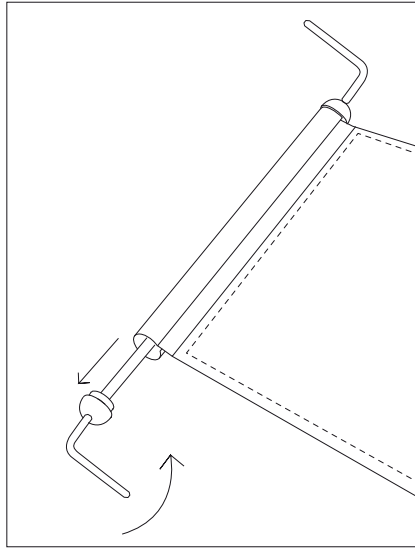
Exchange of seat and seat mounting set.

Let's Fly Spare part. Art. No. LF301, LF302. Art. No. LF324.

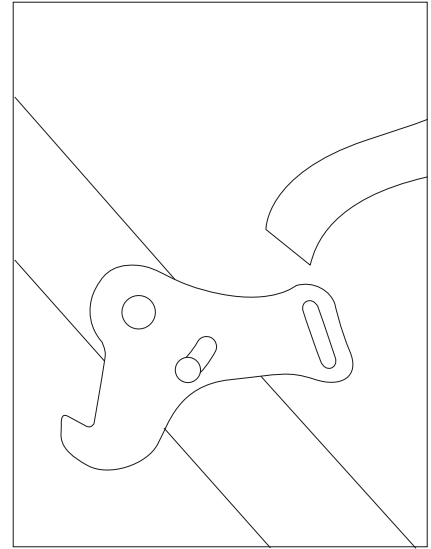
Let's Fly Service Manual. Revision version No: 2 – Aug 2017



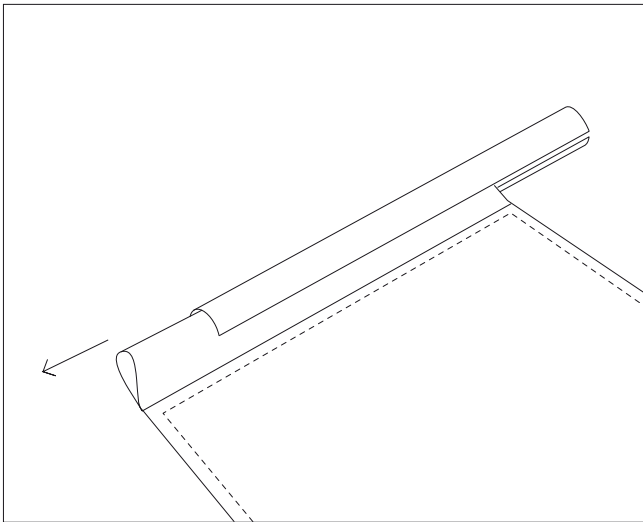
1. Partly fold the rollator so that the seat is loose and not stretched.



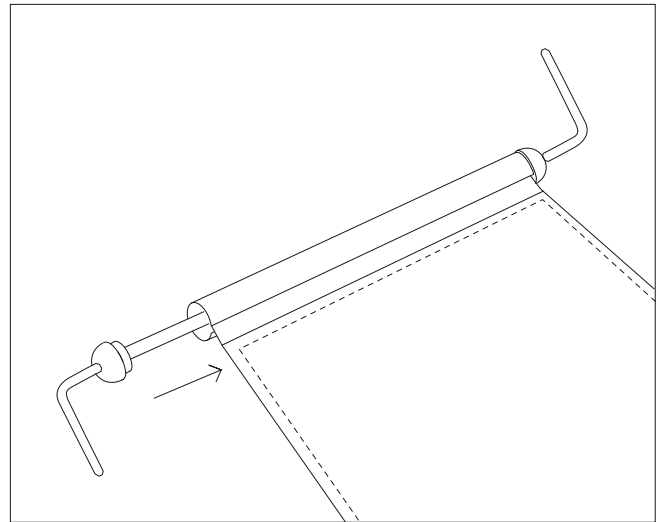
2. Screw off the dome nuts in one end, both sides of seat. Use allen keys if necessary. Pull out the rods.



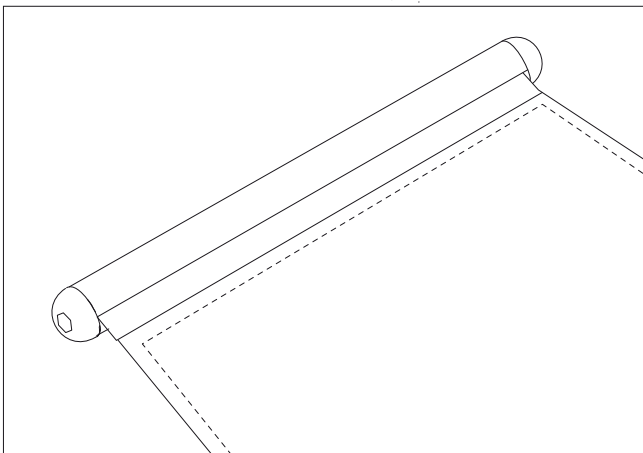
3. Remove the fabric band from the unfold hook.



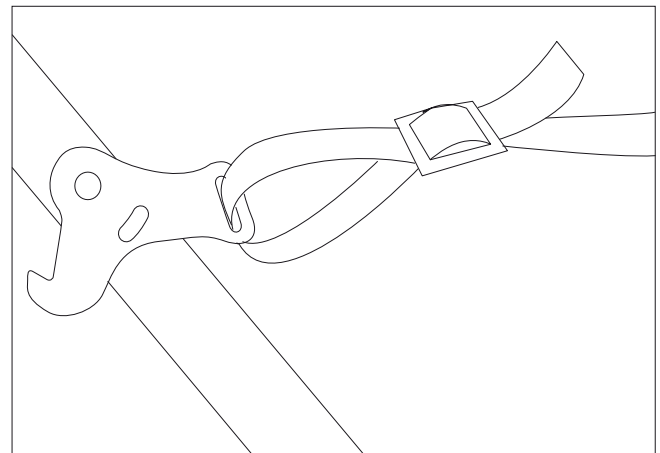
4. If the seat is to be exchanged, pull out the seat from the metal tubes.



5. Put the new seat into the tubes and put in the two metal rods. Make sure that the direction of the seat is correct. If necessary exchange the rods and dome nuts.



6. Screw the dome nuts in place.

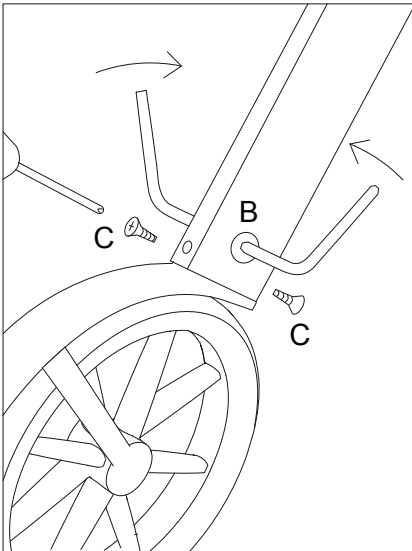


7. Put the fabric band into the slot in the unfold hook. Adjust the length of the band so that the hook locks the rollator in open position and releases when you lift the seat in the middle opening.

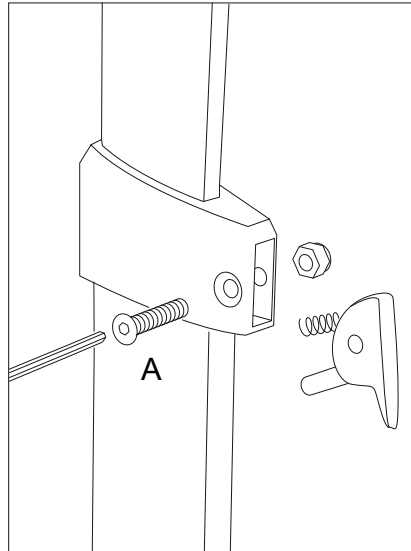
Exchange of brake wire Let's Fly. Page 1.

Let's Fly Spare part. Art. No. LF305.

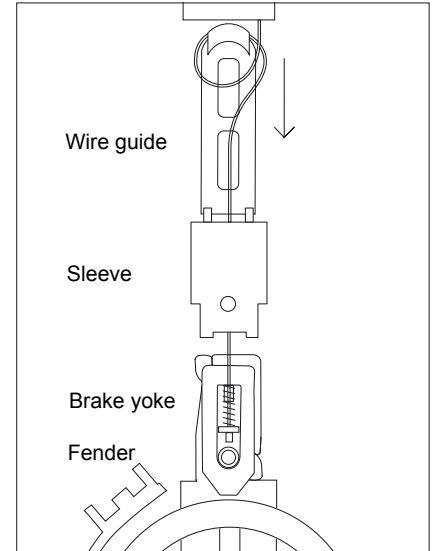
Let's Fly Service Manual. Revision version No: 2 – Aug 2017



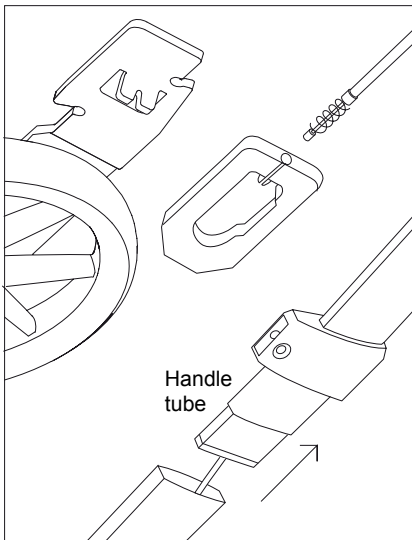
1. Unscrew the double screw B and the two screws C holding the fender.



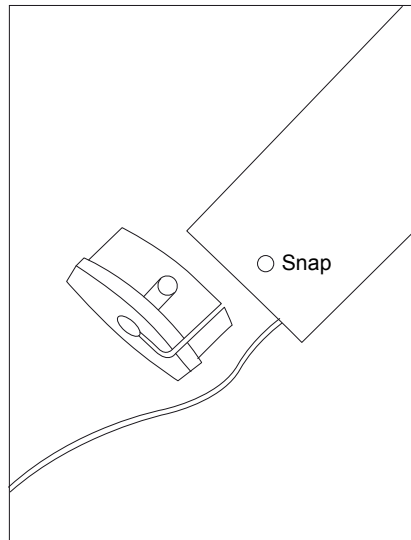
2. Unscrew screw A and remove the height adjustment.



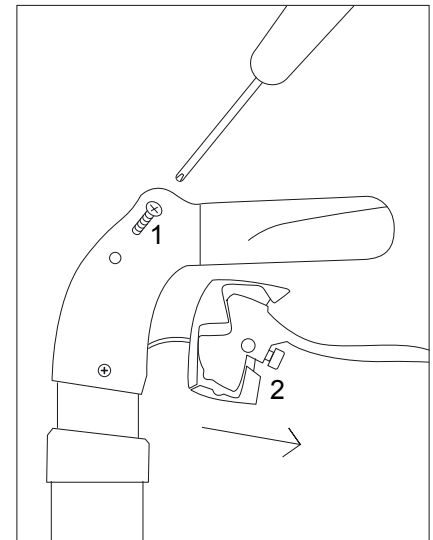
3. Pull out the brake, sleeve, fender, and the wire guide from the rear leg.



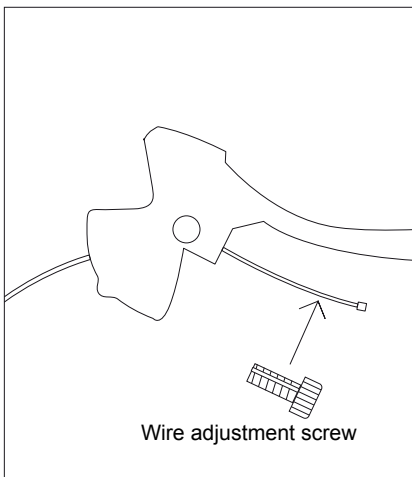
4. Disconnect the wire and pull out the handle tube from the frame.



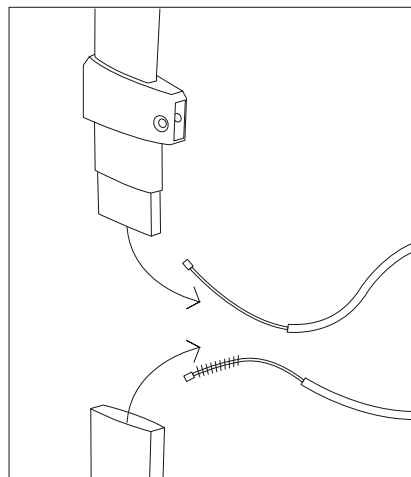
5. Remove the bottom plug from the handle tube and take out the wire.



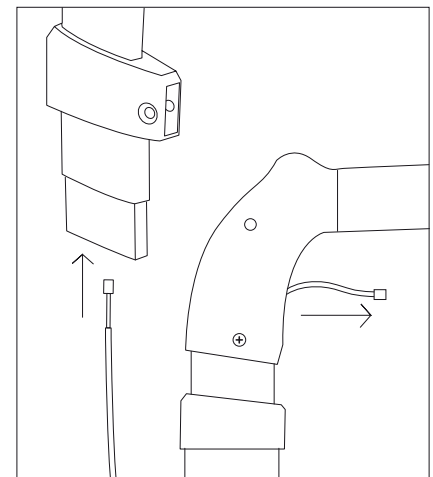
6. Unscrew the screw on the handle and pull out the brake mechanism.



7. Unscrew the wire adjustment screw and take out the brake wire.



8. Remove the old brake wire entirely from the frame and the handle.

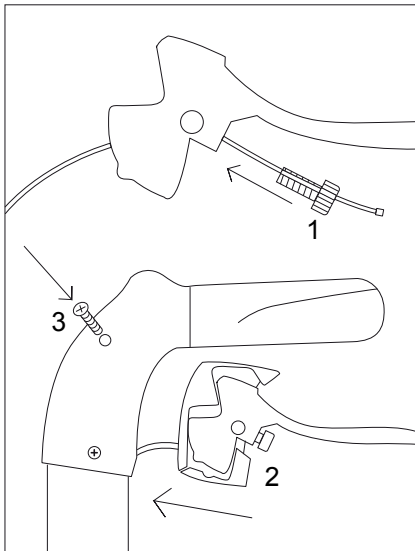


9. Insert the new wire in the handle tube from bottom and up.

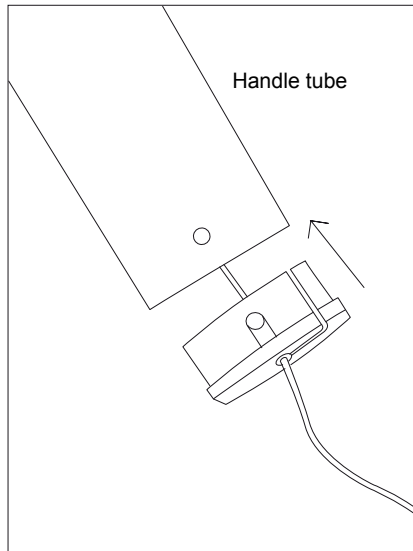
Exchange of brake wire Let's Fly. Page 2.

Let's Fly Spare part. Art. No. LF305.

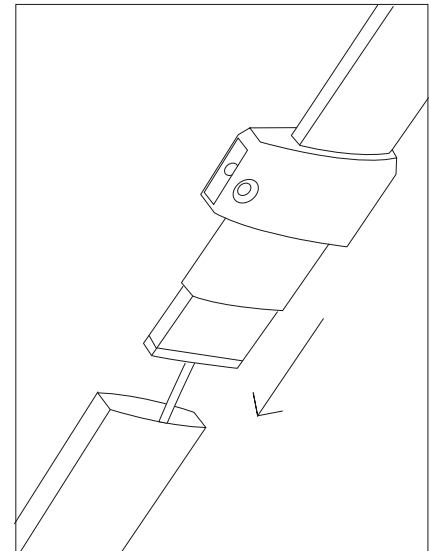
Let's Fly Service Manual. Revision version No: 2 – Aug 2017



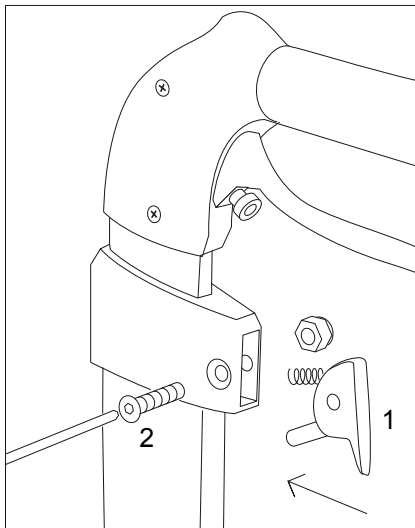
10. Attach the wire to the adjustment screw and screw in the mechanism.



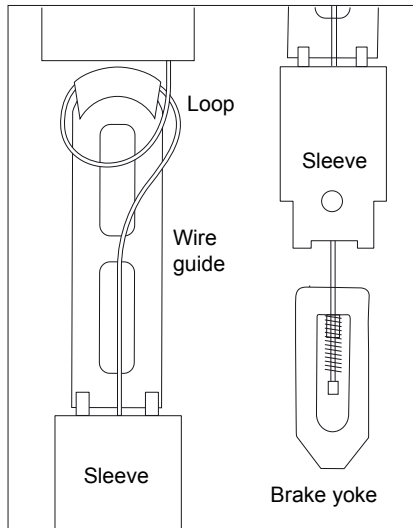
11. Put the wire into the bottom plug and push the bottom plug in place.



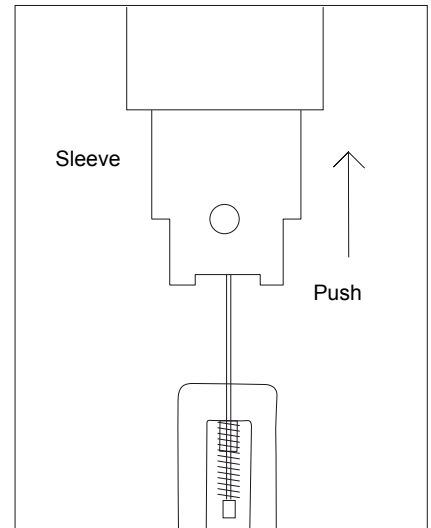
12. Put the brake wire and handle tube into frame.



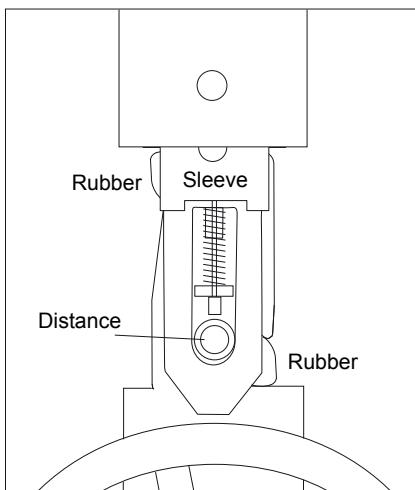
13. Screw the height adjustment mechanism back in place.



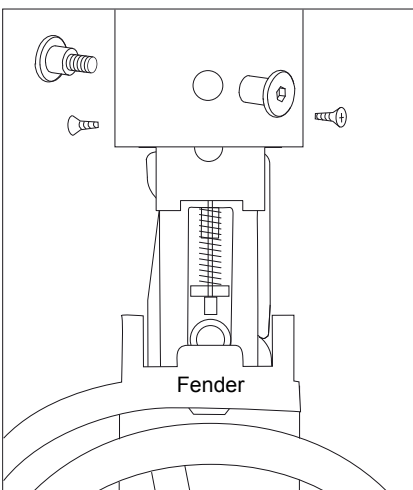
14. Make a wire loop on the wire guide. Attach the wire to the yoke.



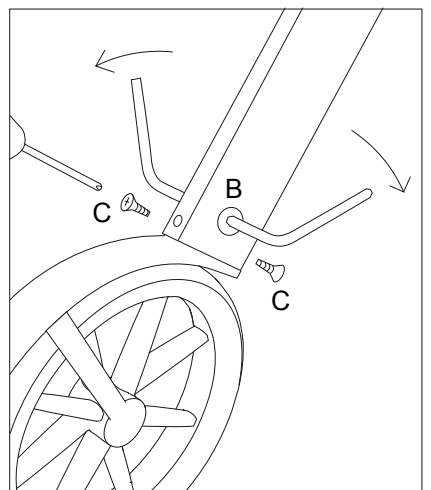
15. Push the sleeve and wire guide into the rear leg.



16. Mount the brake yoke and wire onto the wheel plate.



17. Turn the fender in place.

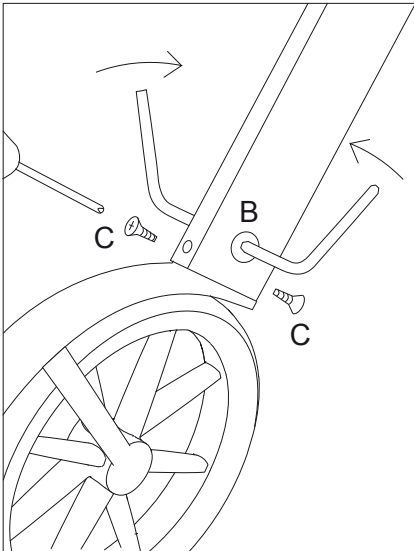


18. Push the whole assembly into rear leg and screw back the screws.

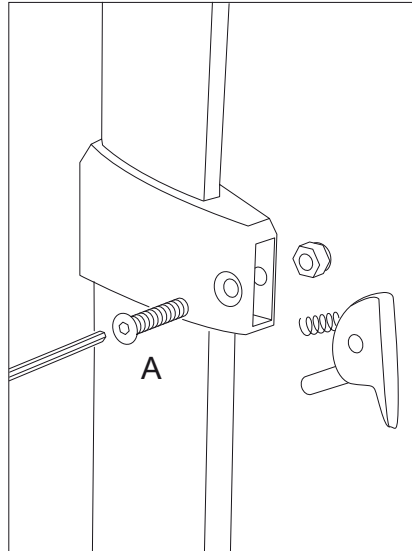
Exchange of handle tube Let's Fly. Page 1.

Let's Fly Spare part. Art. No. LF307 LF308.

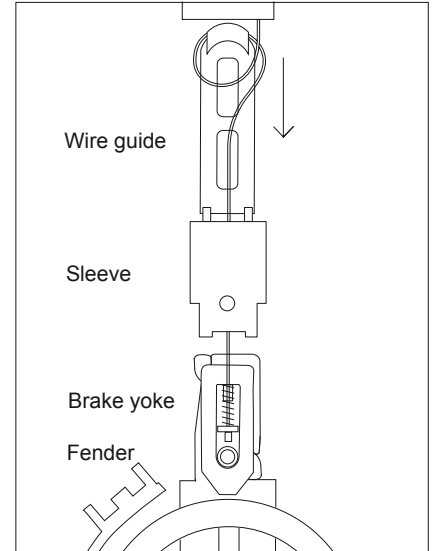
Let's Fly Service Manual. Revision version No: 2 – Aug 2017



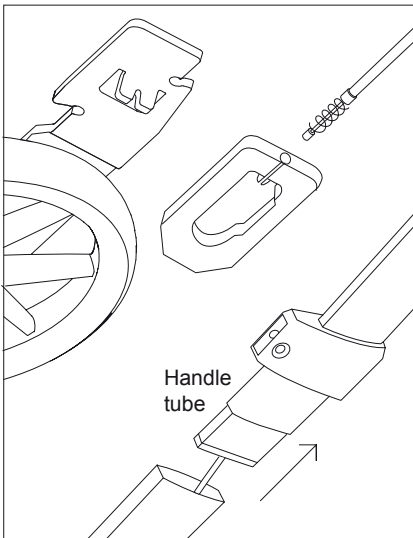
1. Unscrew the double screw B and the two screws C holding the fender.



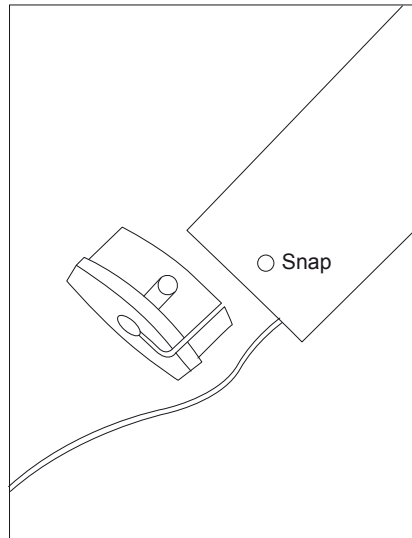
2. Unscrew screw A and remove the height adjustment.



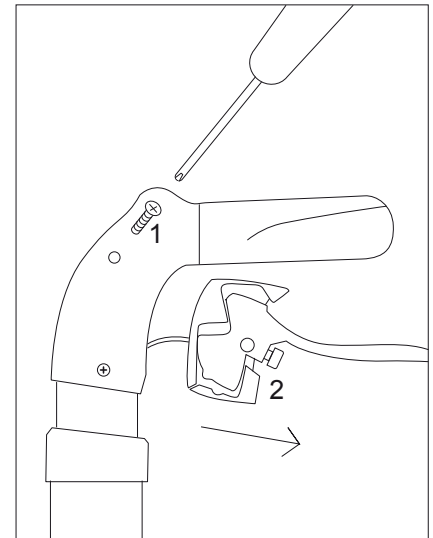
3. Pull out the brake, sleeve, fender, and the wire guide from the rear leg.



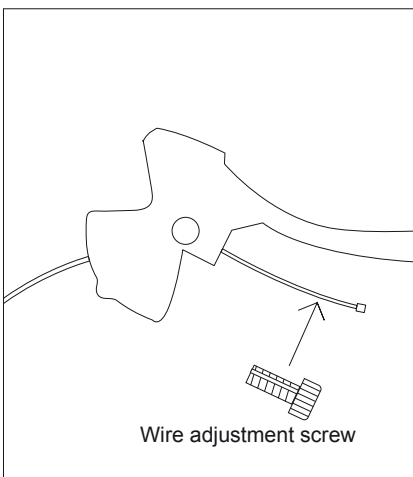
4. Disconnect the wire and pull out the handle tube from the frame.



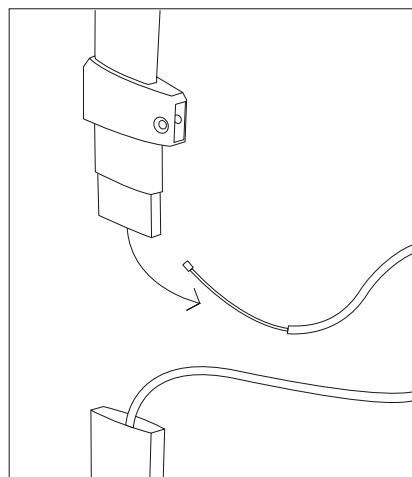
5. Remove the bottom plug from the handle tube and take out the wire.



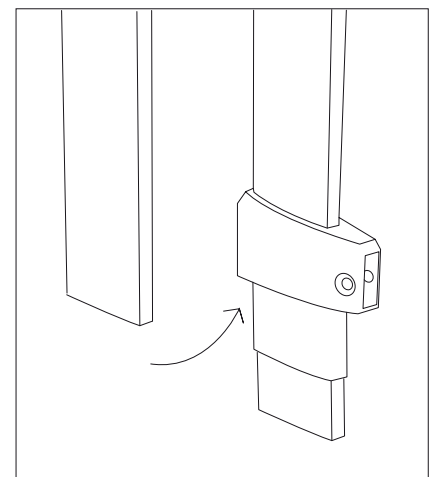
6. Unscrew the screw on the handle and pull out the brake mechanism.



7. Unscrew the wire adjustment screw and take out the brake wire.



8. Remove the wire from the old handle tube.

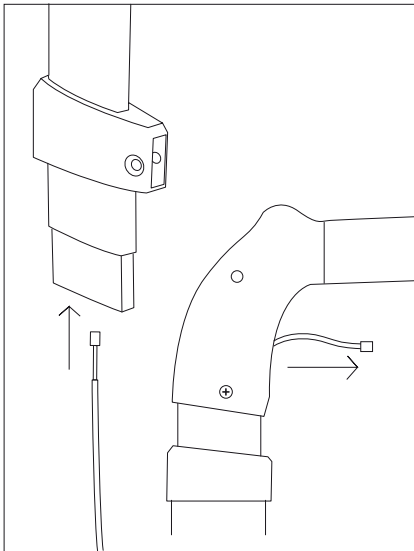


9. Move the plastic bushing from the old handle tube to the new one.

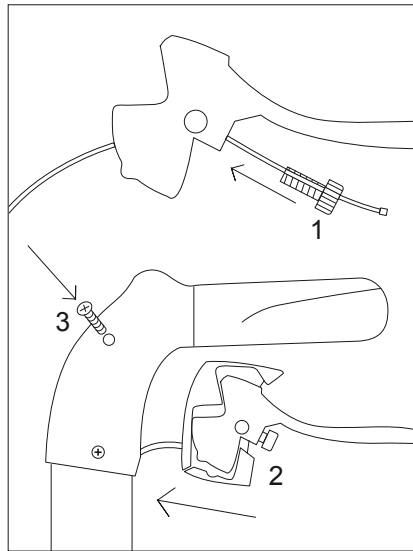
Exchange of handle tube Let's Fly. Page 2.

Let's Fly Spare part. Art. No. LF307.

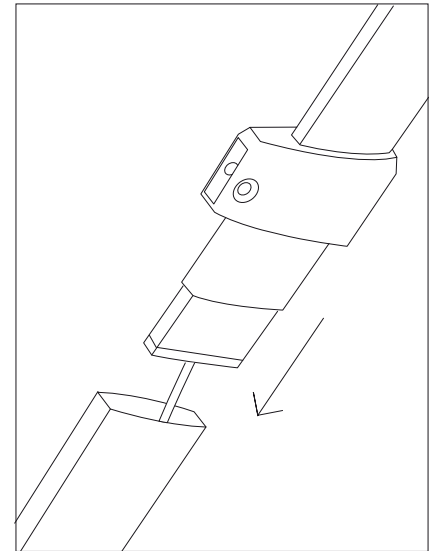
Let's Fly Service Manual. Revision version No: 2 – Aug 2017



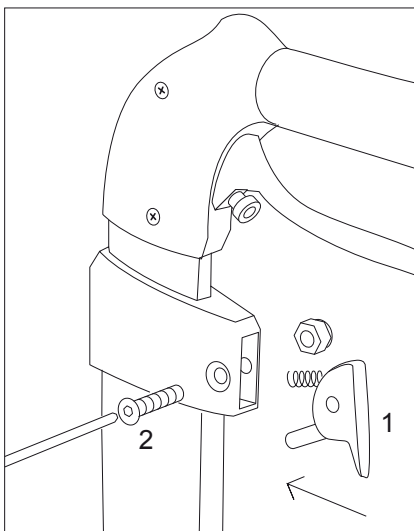
10. Put the wire into the new handle tube all the way up to the handle.



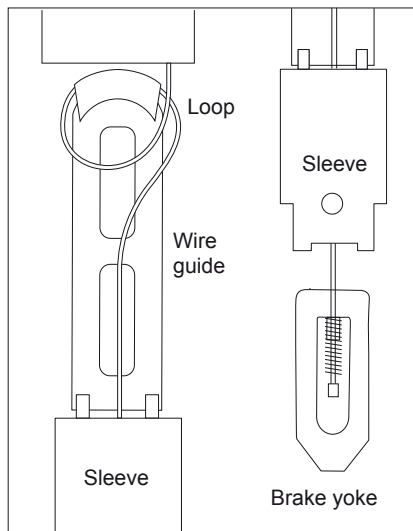
11. Attach the wire to the adjustment screw and screw in the mechanism.



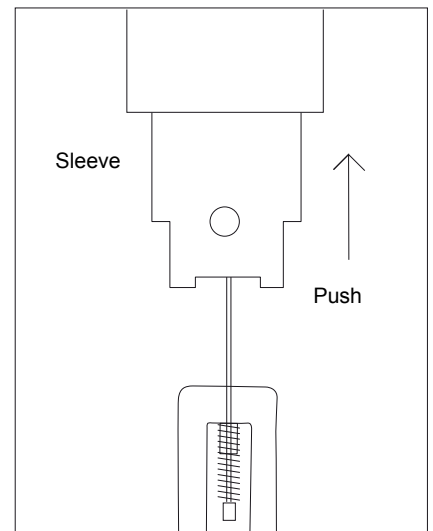
12. Put the brake wire and handle tube into frame.



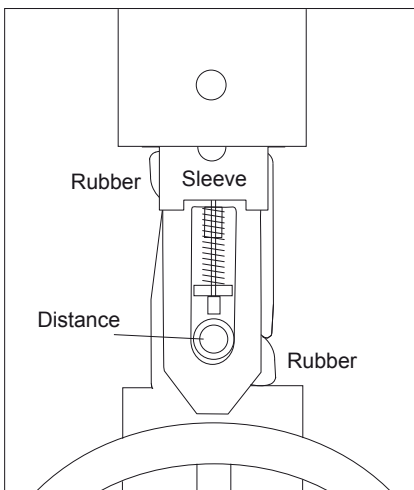
13. Screw the height adjustment mechanism back in place.



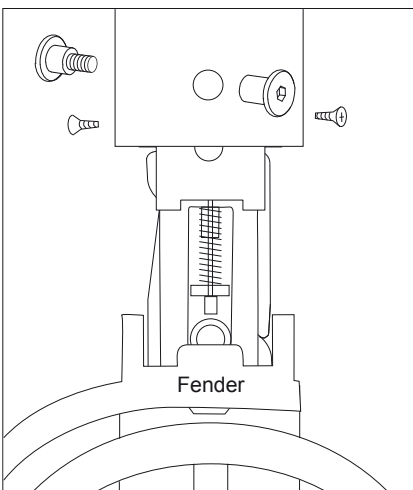
14. Make a wire loop on the wire guide. Attach the wire to the yoke.



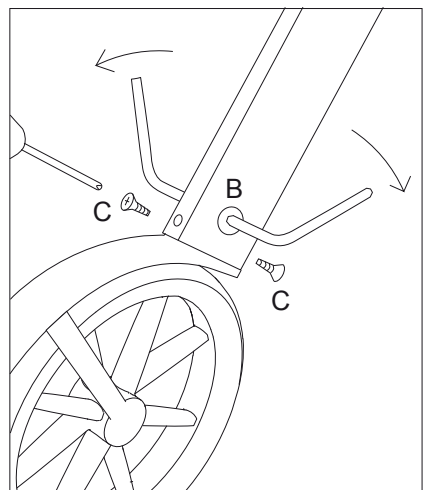
15. Push the sleeve and wire guide into the rear leg.



16. Mount the brake yoke and wire onto the wheel plate.



17. Put the fender in place.

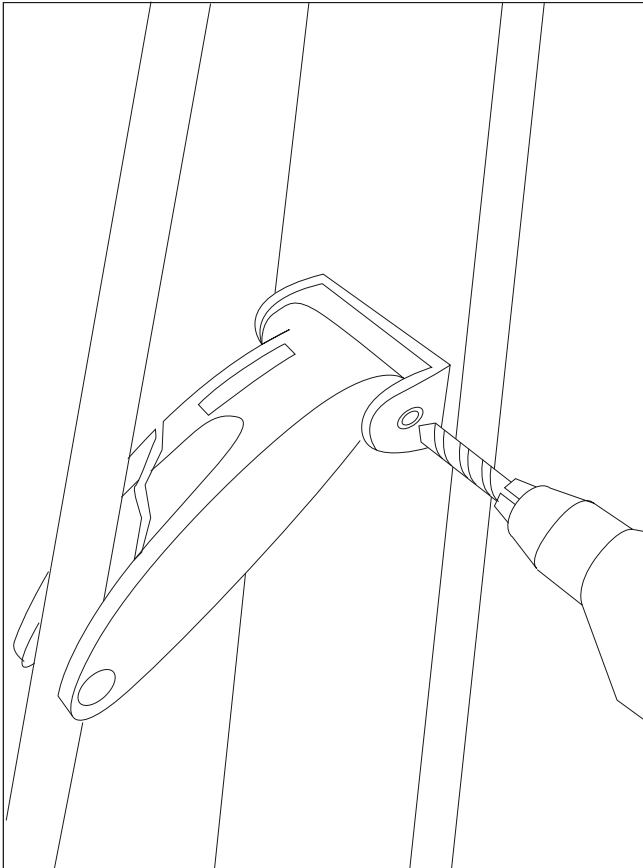


18. Push the whole assembly into rear leg and screw back the screws.

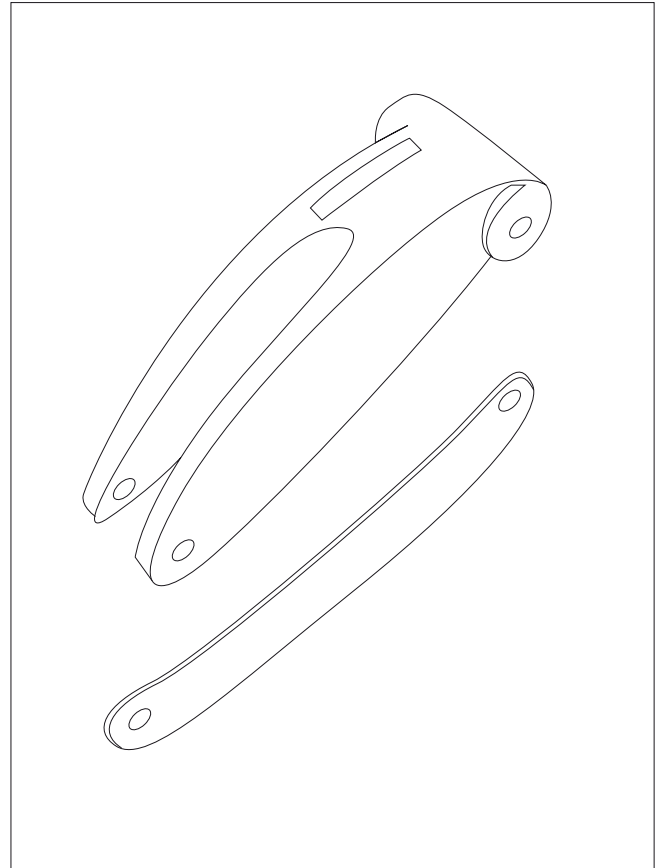
Mounting of linkage arm.

Let's Fly Spare part. Right Art. No. LF321. Left Art. No. LF312.

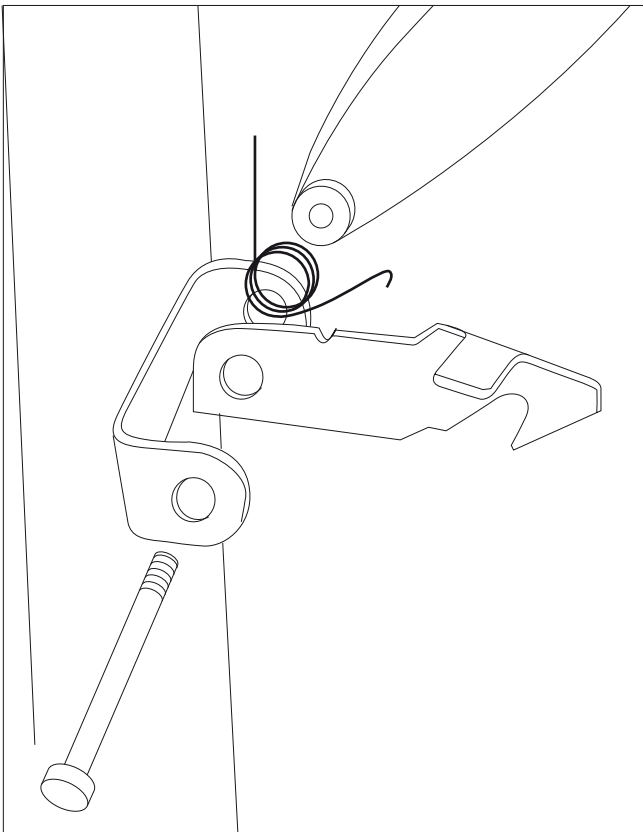
Let's Fly Service Manual. Revision version No: 2 – Aug 2017



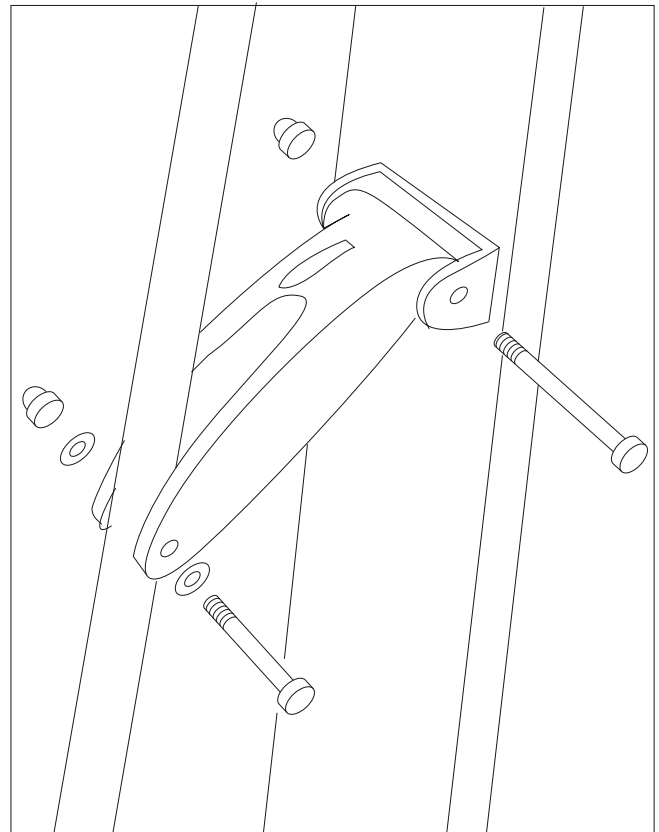
1. Drill out the rivets or unscrew the screws that hold the plastic linkage arm to the metal frame of the rollator.



2. Remove the plastic part. Do not forget the metal reinforcement bar that is inside.



3. Mount the new plastic arm with the reinforcement bar inside. On the left side the hook for folding and the spring should also be mounted.

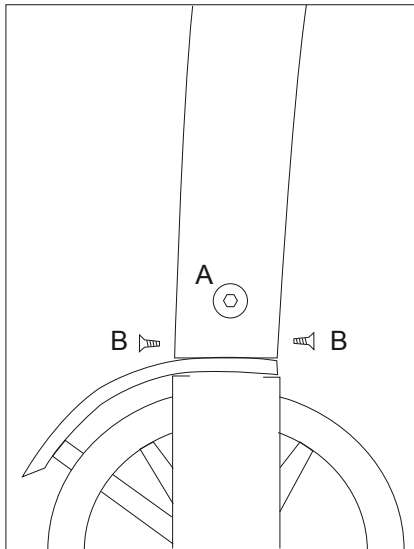


4. Mount the parts using screws, washers, and nuts.

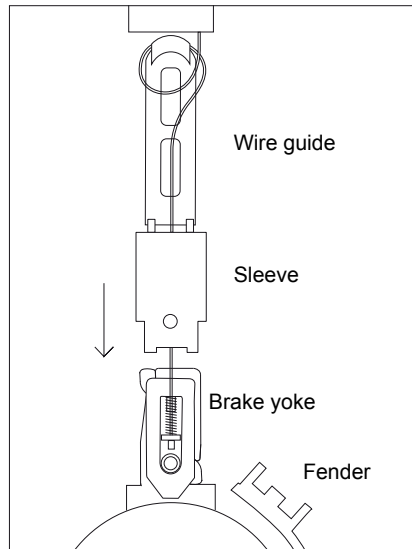
Exchange of wire guide inside rear leg.

Let's Fly Spare part. Art. No. LF313.

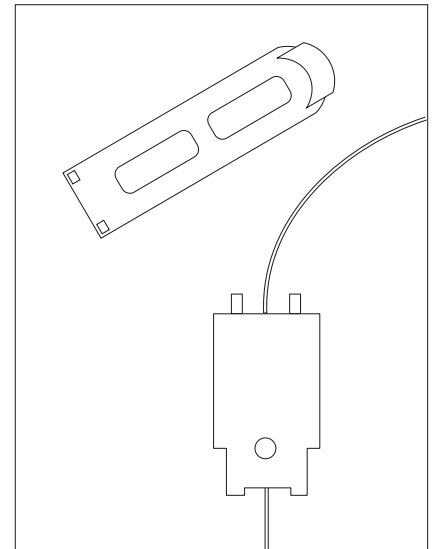
Let's Fly Service Manual. Revision version No: 2 – Aug 2017



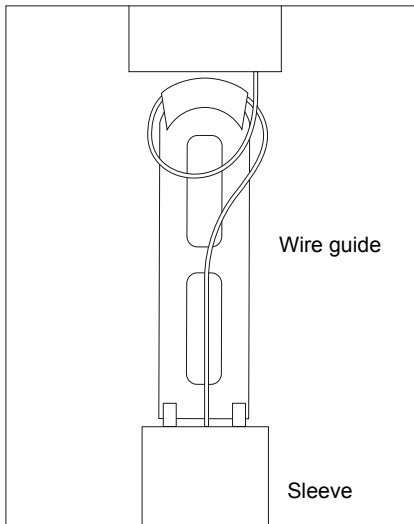
1. Unscrew the double screw A and the two screws B holding the fender.



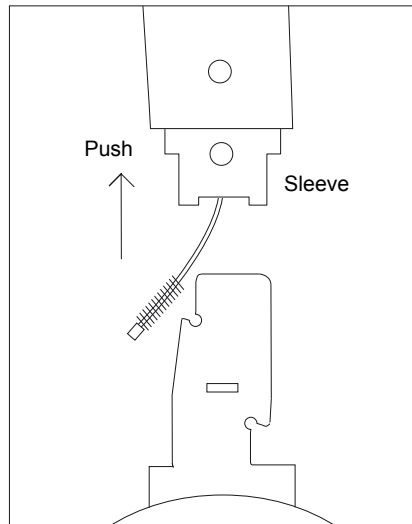
2. Pull out the brake, sleeve, fender, and the wire guide from the rear leg.



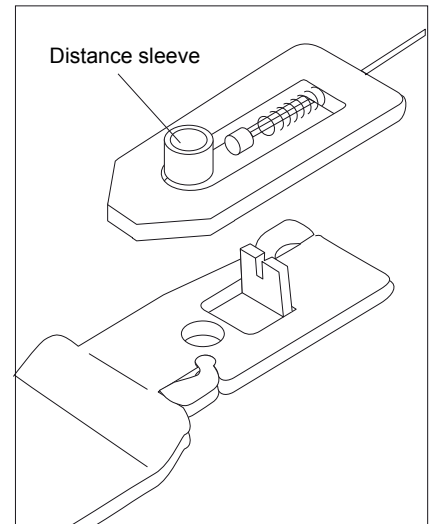
3. Remove the damaged wire guide and put in the new one.



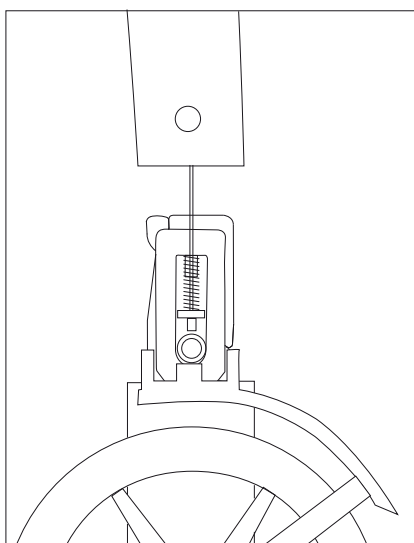
4. Mount the new wire guide and make a loop with the wire.



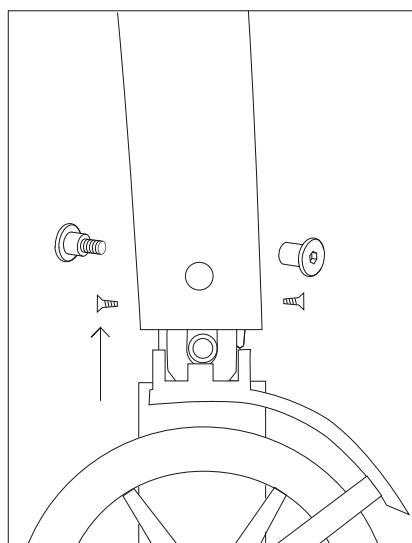
5. Push the sleeve and the wire guide into the rear leg.



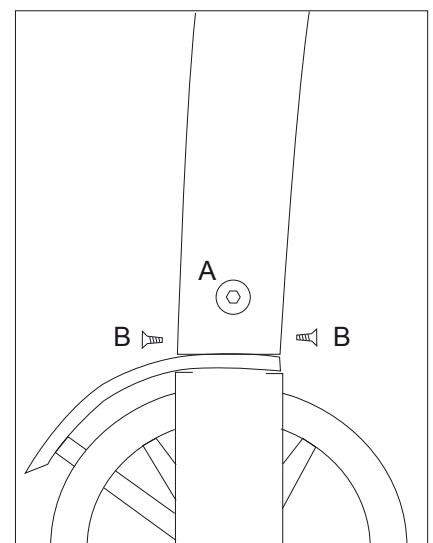
6. Attach the yoke, wire, distance and springs to the mounting plate.



7. Turn the fender into correct angle and tighten the wheelscap screw.



8. push the whole assembly into the rear leg including the fender.

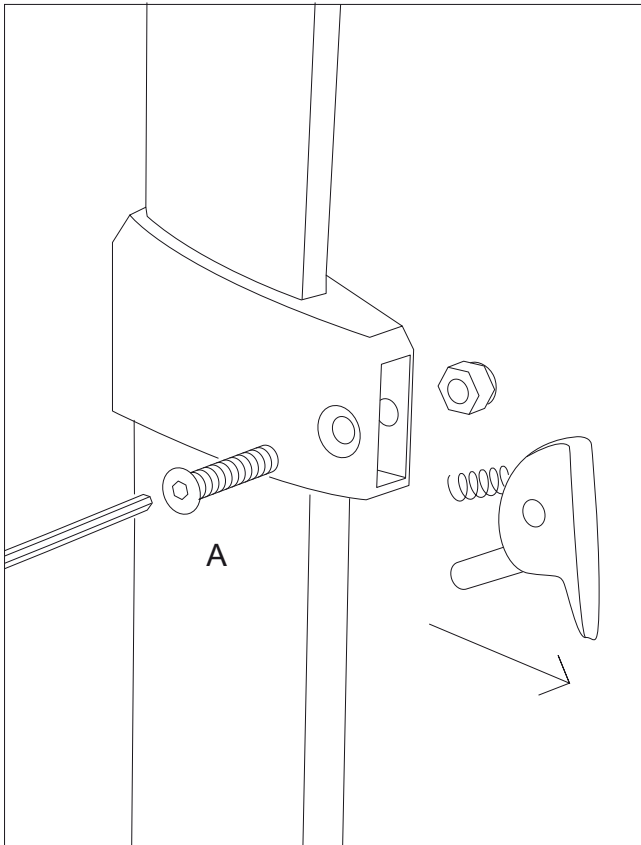


9. Screw the double screw A and the two screws B back in place.

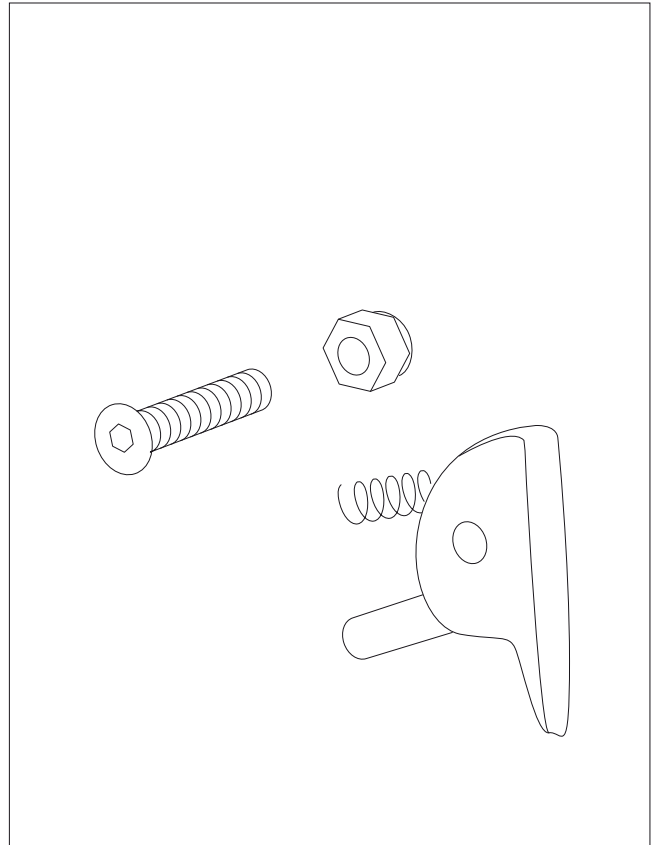
Exchange of height adjustment Let's Fly

Let's Fly Spare part. Art. No. LF320.

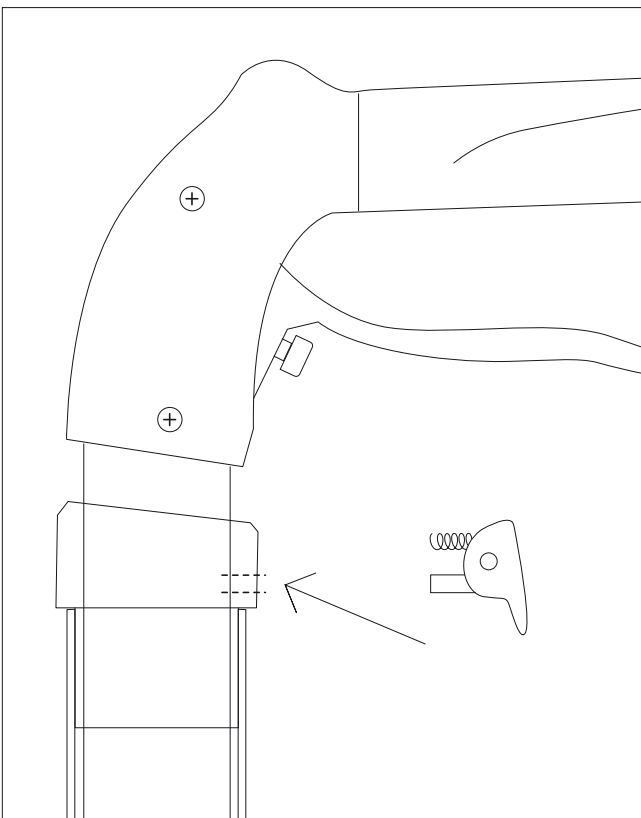
Let's Fly Service Manual. Revision version No: 2 – Aug 2017



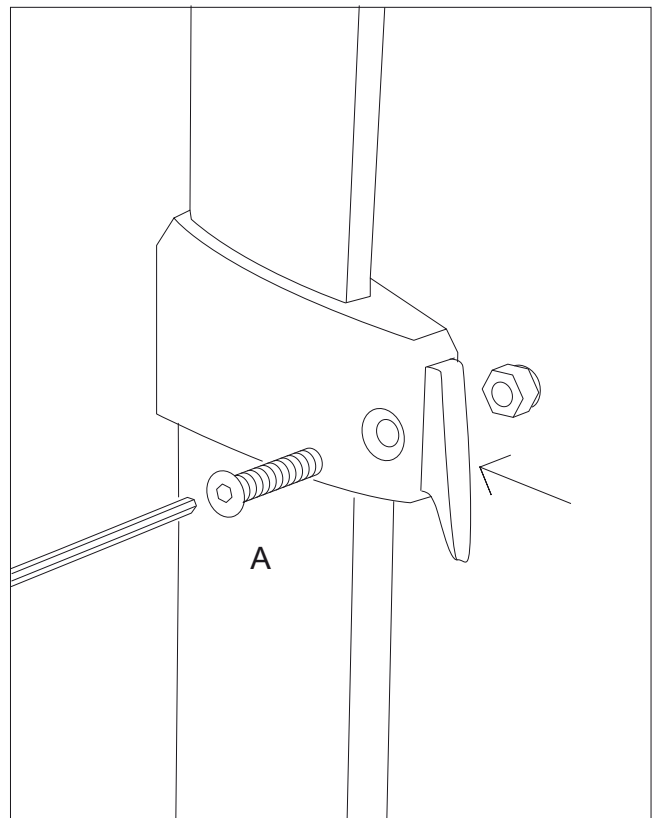
1. Unscrew screw A and remove the damaged height adjustment.



2. The new height adjustment consists of three parts.



3. Check that the holes in the plastic bushing, the frame and the handle tube correspond.

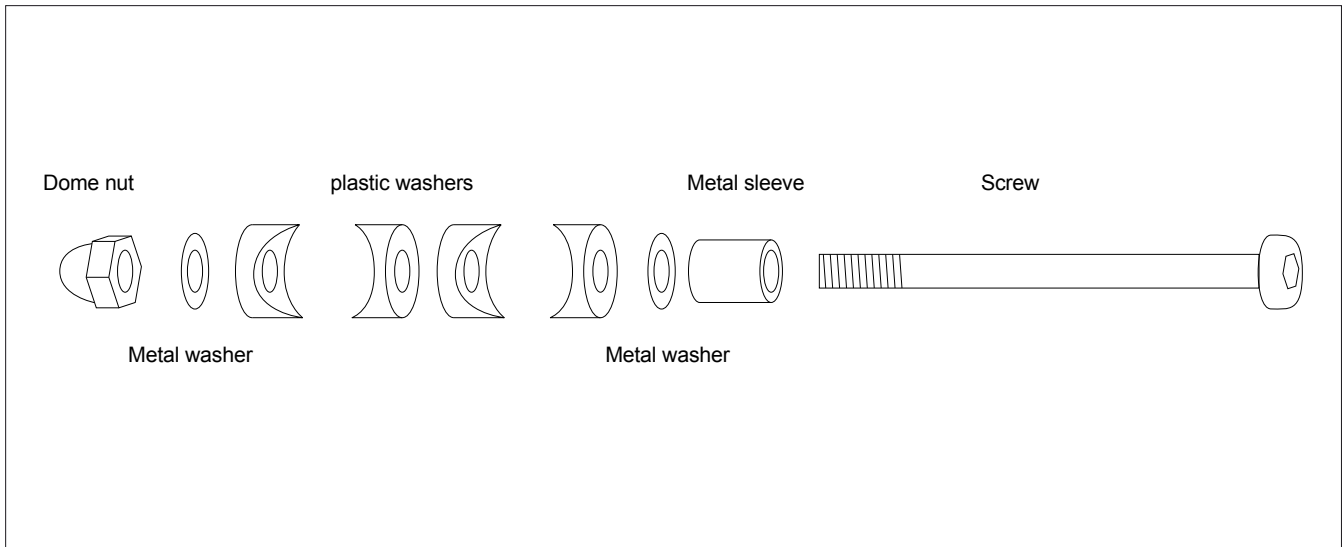


4. Put in the adjust mechanism and screw the screw A in place.

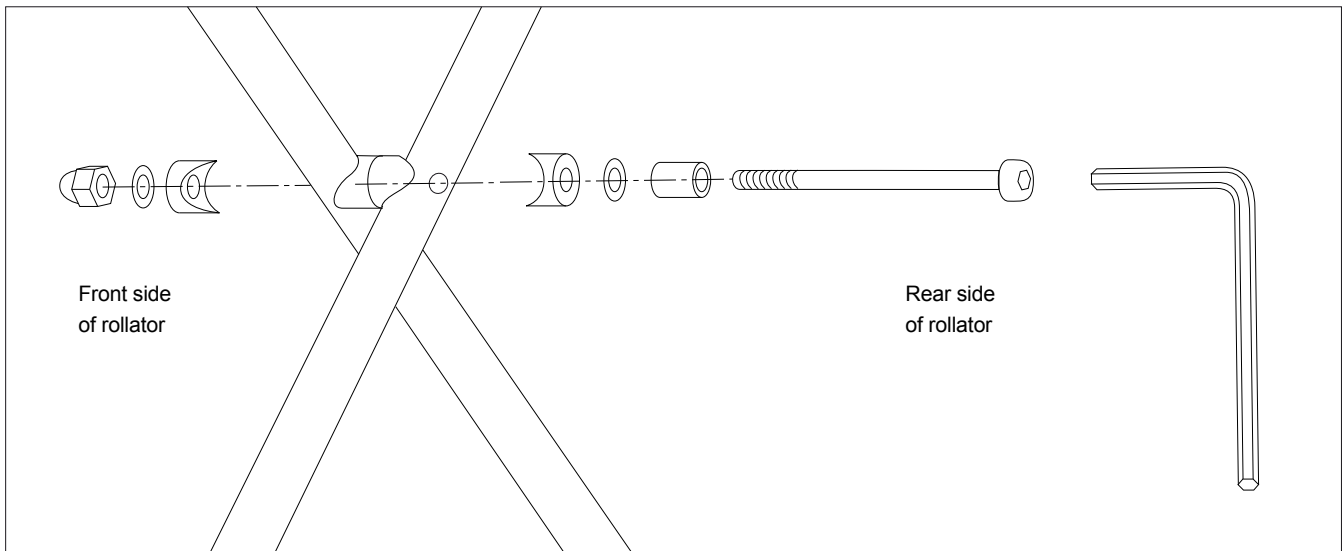
Mounting the middle joint of the folding cross.

Let's Fly Spare part Art. No. LF326.

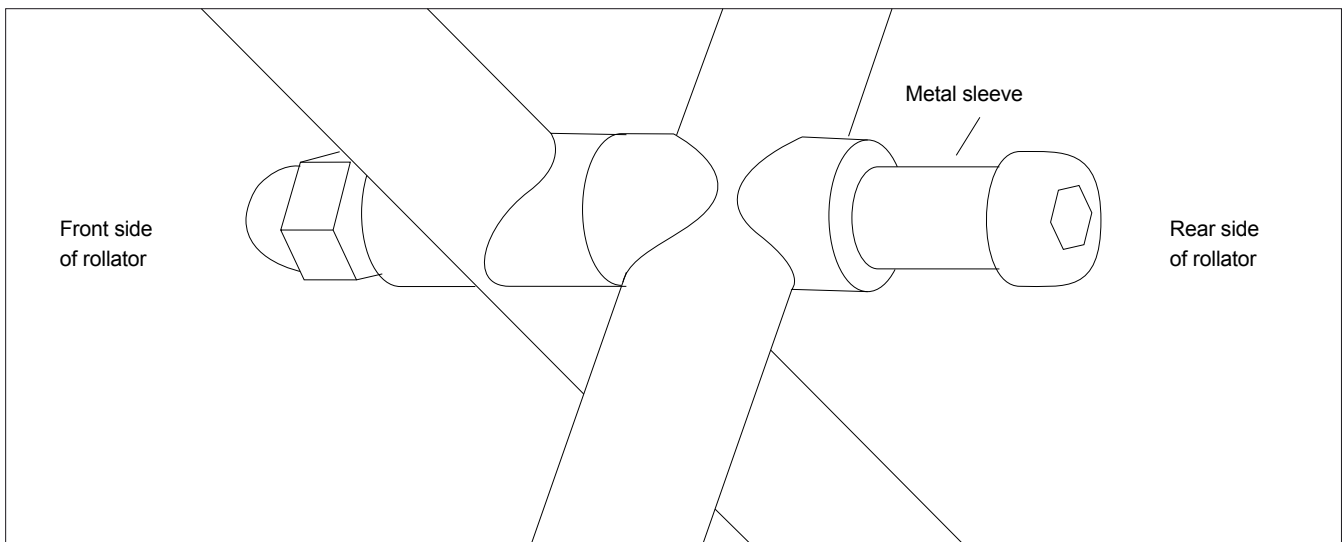
Let's Fly Service Manual. Revision version No: 2 – Aug 2017



1. These are the parts of the joint and how they should be mounted together.



2. The tubes of the folding cross should be placed between the washers in this order according to this sketch.

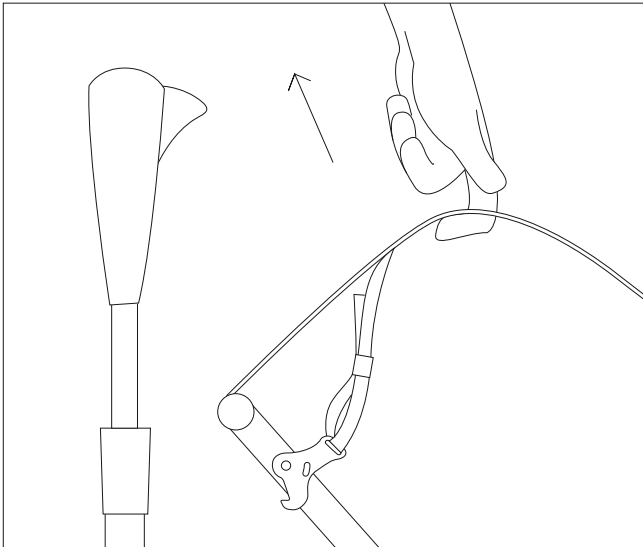


3. Tighten the dome nut securely. Fix the nut with a drop of Loctite so it will not fall off. The metal sleeve serves as a fixture peg for the hook when the rollator is folded.

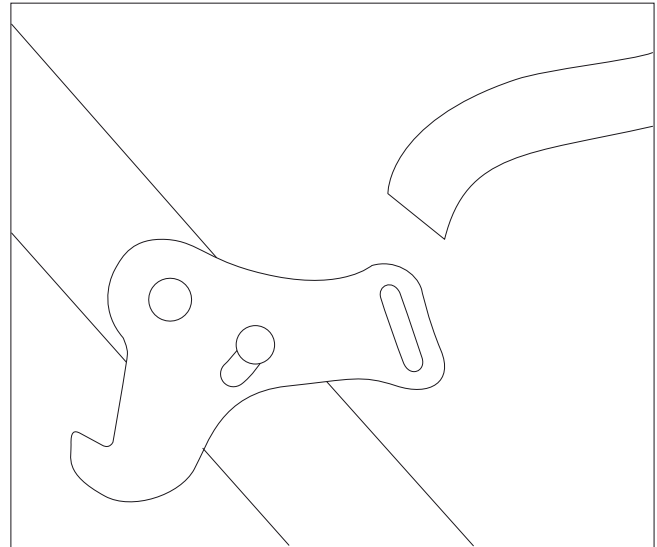
Exchange of the unfold hook.

Let's Fly Spare part. Art. No. LF311.

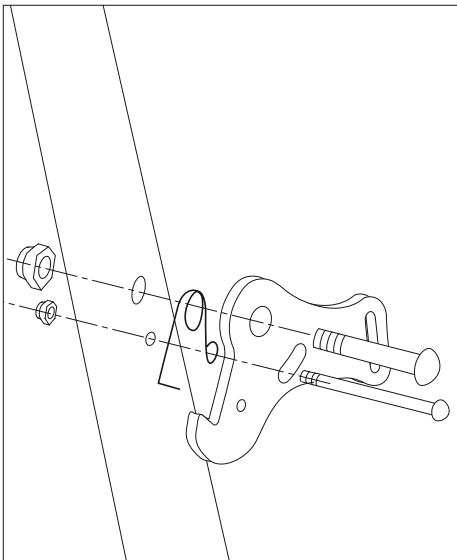
Let's Fly Service Manual. Revision version No: 2 – Aug 2017



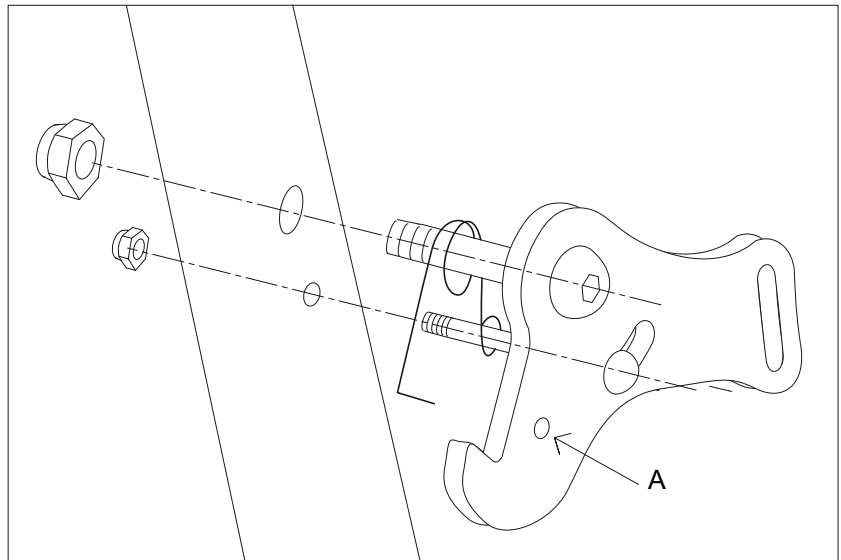
1. Partly fold the rollator so that the seat is loose and not stretched.



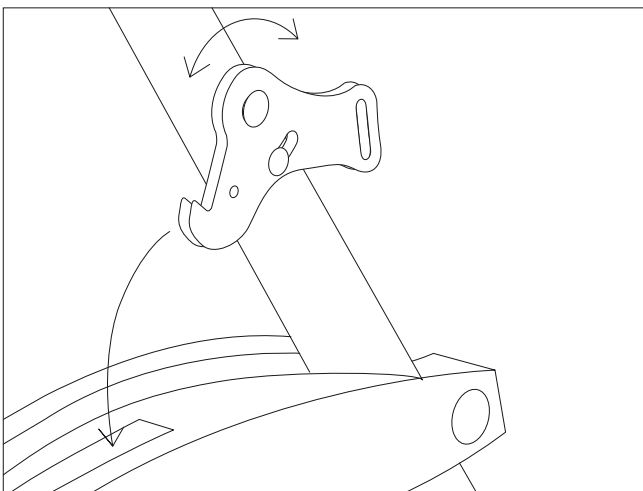
2. Remove the fabric band from the unfold hook.



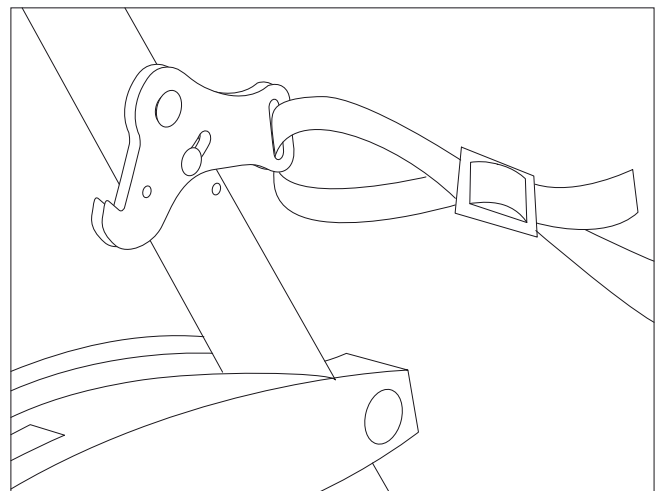
3. Unscrew the two screws that hold the hook in place and remove the hook.



4. Mount the new screws, the new hook and the spring. The spring must be placed around the two screws and locked into the hole in the hook at A.



5. Adjust the screws so that the hook can easily rotate and still fits smoothly into the slot in the plastic linkage arm.

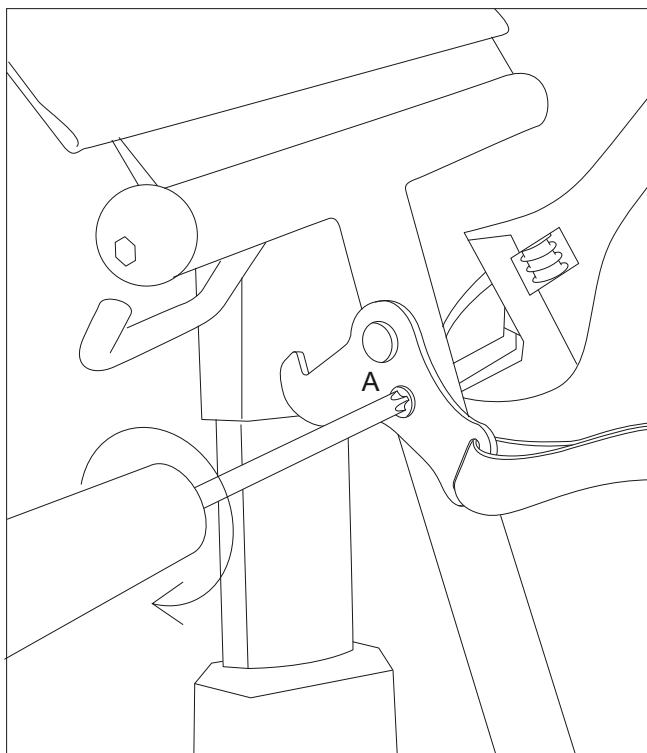


6. Put the fabric band into the slot in the unfold hook. Adjust the length of the band so that the hook locks the rollator in open position and releases when you lift the seat in the middle opening.

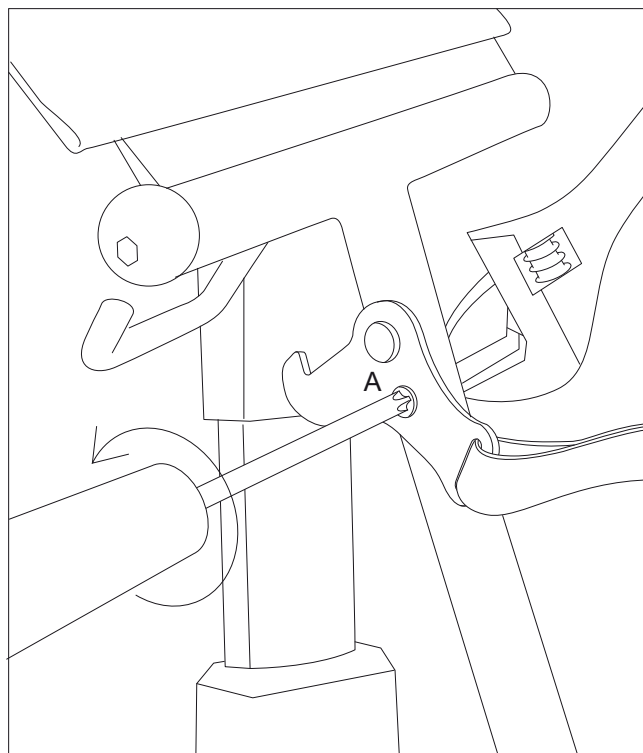
Adjustment of unfold hook Let's Fly.

Let's Fly spare part. Art. No. LF311.

Let's Fly Servicemannual. Revision version nr: 2 – Aug 2017



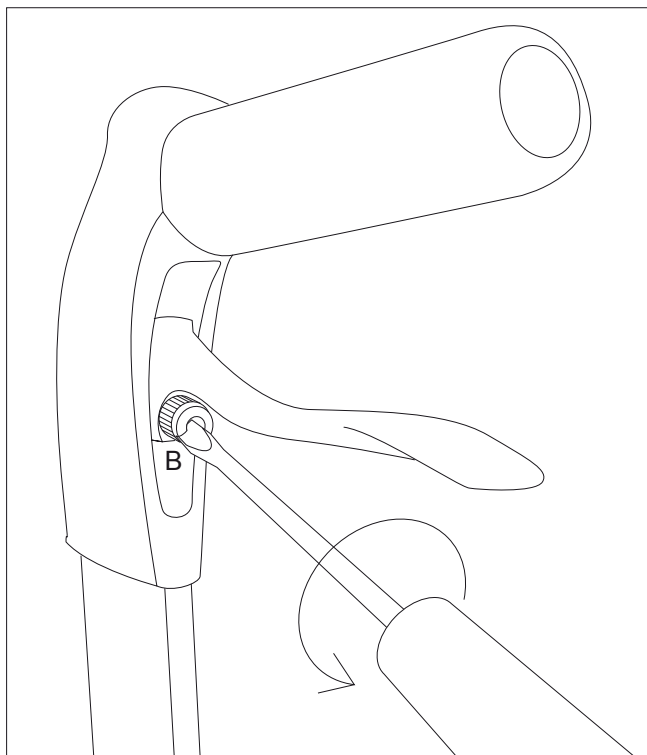
1. If the hook does not lock or does not fit in the slot it can be adjusted with screw A. For tightening turn clockwise according to picture.



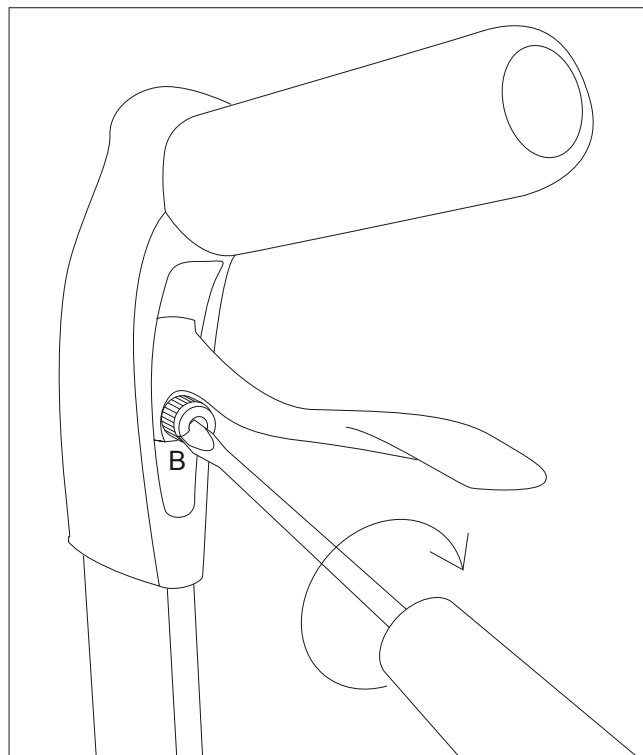
2. If the hook is too tight, loosen it by screwing counter clockwise according to picture.

Adjustment of brake/parking brake Let's Fly.

Let's Fly spare part. Art. No. LF306.



1. If the brake is too loose the wire tension can be increased by turning the screw B counter clockwise.



2. If the brake is too hard the tension can be loosened by turning the screw B clockwise.