

## PARTS AND HARDWARE

Avoid using sharp objects such as a knife to cut open packing as you may accidentally damage the upholstery.



A. Sofa Legs  
4X



B. Bolt / Washer  
12X M6\*20



C. Allen Key  
1X

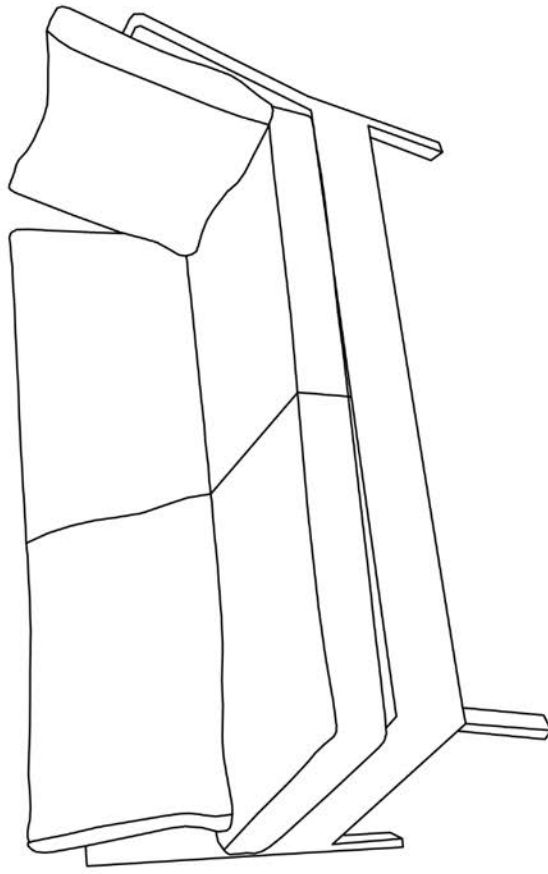
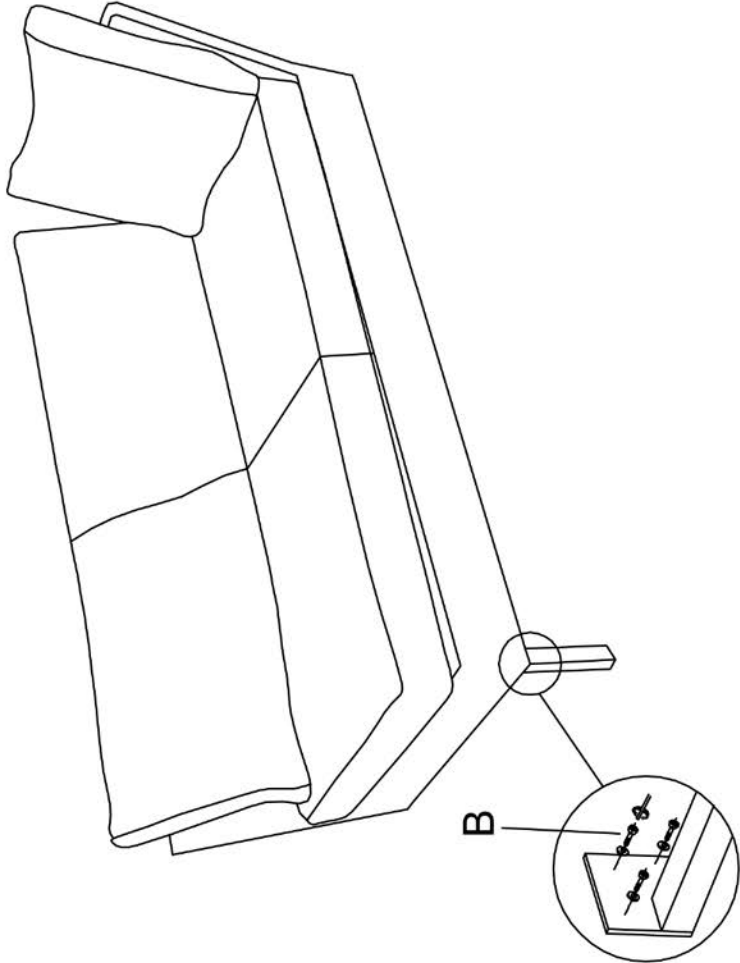


Thank you for choosing Sunnydaze Décor. If you have any questions, comments or concerns please feel free to contact us by phone at: **888-881-4668**, by email: **customerservice@serenityhealth.com**, or you could also email us via our contact us page at: **www.SerenityHealth.com/contact-us/**.

We stand behind our brand and the quality of the items we sell. We will send new parts, or replace products at our discretion within the one year warranty period. Before we can help, you will need to provide proof of purchase with the date of purchase and photos of the defective merchandise. We will use the photos to determine the cause of defect and for future quality control.

Do not fully tighten bolts until assembly is complete.

1. Assemble the leg (A) to the seat, using bolts and washer (B).



MLM-634

## PARTS AND HARDWARE

Avoid using sharp objects such as a knife to cut open packing as you may accidentally damage the upholstery.



A. Sofa Legs  
4X



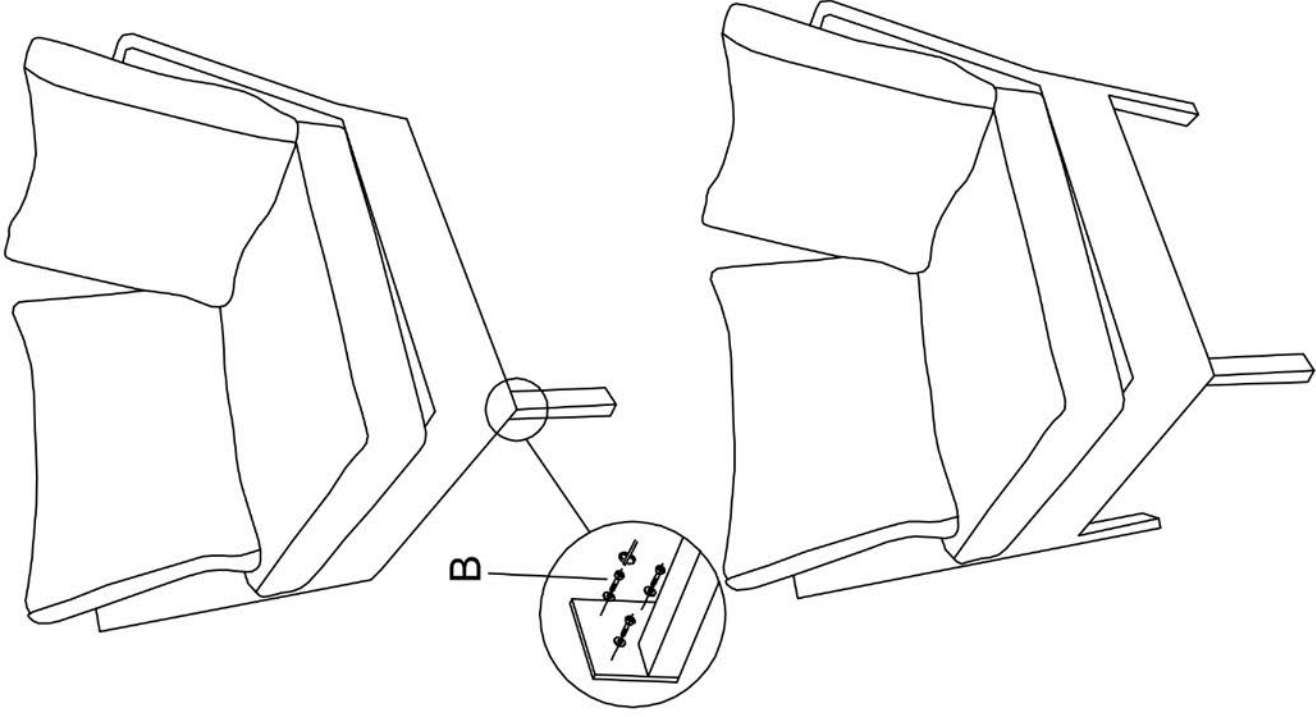
B. Bolt / Washer  
12X M6\*20



C. Allen Key  
1X

Do not fully tighten bolts until assembly is complete.

1. Assemble the leg (A) to the seat, using bolts and washer (B).



## PARTS AND HARDWARE

Avoid using sharp objects such as a knife to cut open packing as you may accidentally damage the upholstery.



A. Sofa Legs  
4X



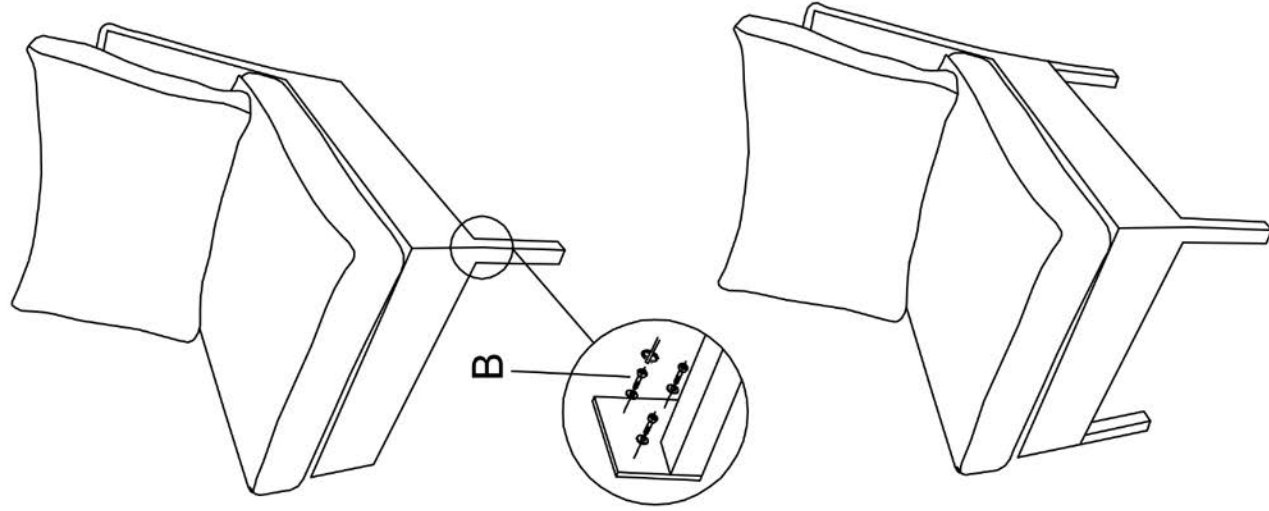
B. Bolt / Washer  
12X M6\*20



C. Allen Key  
1X

Do not fully tighten bolts until assembly is complete.

1. Assemble the leg (A) to the seat, using bolts and washer (B).



## PARTS AND HARDWARE

Avoid using sharp objects such as a knife to cut open packing as you may accidentally damage the upholstery.



A. Sofa Legs  
4X



B. Bolt / Washer  
12X M6\*20



C. Allen Key  
1X

Do not fully tighten bolts until assembly is complete.

1. Assemble the leg (A) to the table top, using bolts and washer (B).

