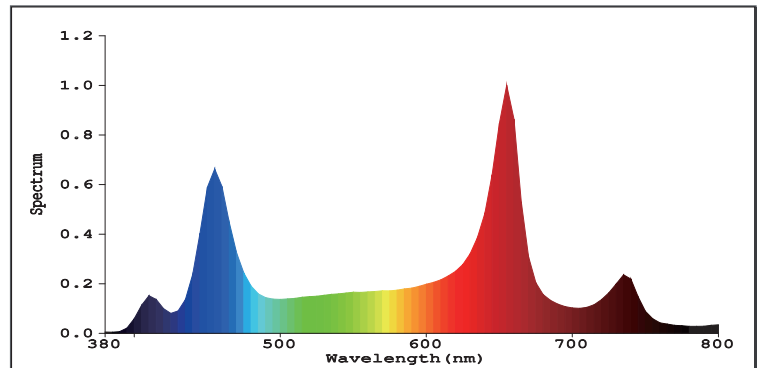




## Dimmable UFO Grow Light Specifications LIT-150W & LIT-240W

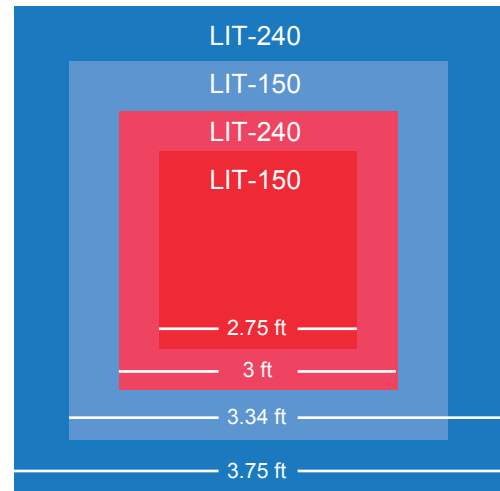


This was researched and designed based on plant-specific grow trials comparing different spectrums. These field tests were conducted to verify the most effective spectrum for the vegetative stage of plant growth. The utilizes the spectrum that far outperformed all others.

Fixture Specifications		
Typical Input Power	150W	240W
PPF(400-700nm)( $\mu\text{mol/s}$ )	200.31 $\mu\text{mol/s}$	300.82 $\mu\text{mol/s}$
Efficacy	1.54 $\mu\text{mol/J}$	1.5 $\mu\text{mol/J}$
Input Voltage	120-277V	
Operating Frequency	50-60 Hz	
Power Factor	> 0.92	
IP-Rating	IP65	
Weight	5.69 lb	7.41 lb
Operating Temperature	-4 - 104°F (-20 - 40°C)	
Tolerance	$\pm 10\%$	
Dimming	YES	
Warranty	5 Years	
Certifications	ETL, CE, FCC, RoHS	

- Saves on electrical, cooling, reflector and bulb replacement costs
- products are easy to install and save on labour costs
- 120° optics for maximum coverage and color mixing
- Contains no Highly Toxic Mercury
- suitable for wet locations

### Coverage Area

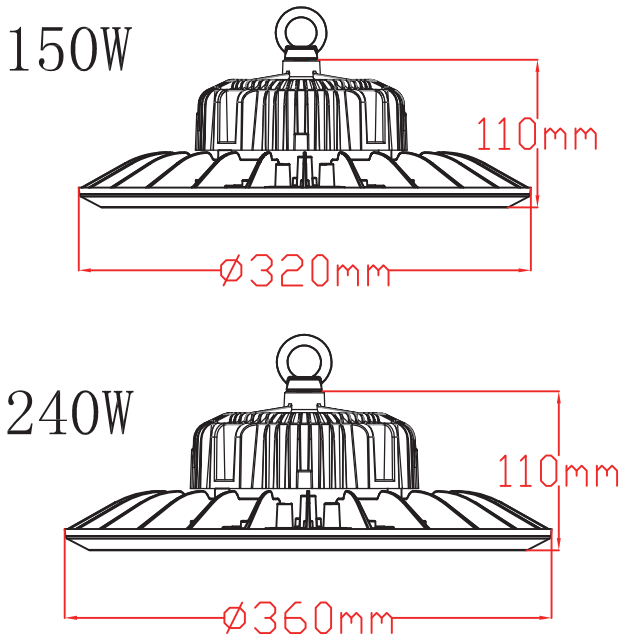


### OPTIMAL SETUP RECOMMENDATION\*

	150W	240W
Coverage Area	2.75 ft. x 2.75 ft.	3 ft. x 3 ft.
Height Above Canopy	16 in.	18 in.
Distance between fixtures**	2.25 ft.	3 ft.



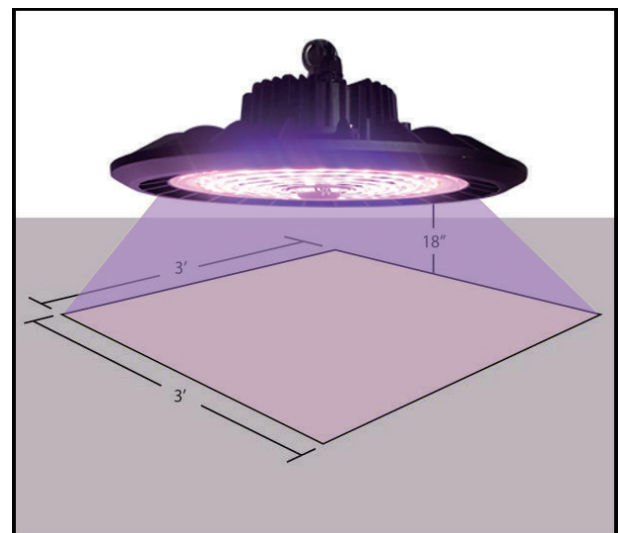
**Structure and Applications**



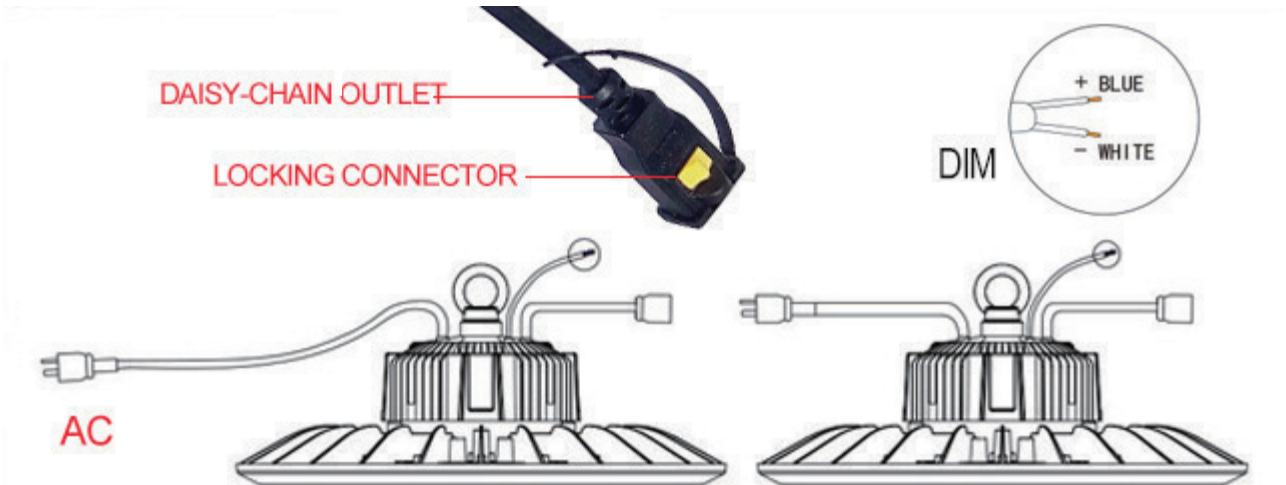
**Configuration Recommendations**

- Height Above Canopy: 18 in.
- Distance between fixtures\*\*: 3 ft.

**Height Above Canopy**



**Wiring diagram**



**Caution:**

- All components in the luminaire shall not be replaced or serviced.
- CAUTION – DANGER - RISK OF SHOCK - DISCONNECT POWER BEFORE INSTALLING.
- this product must be installed in accordance with the applicable installation code by a person familiar with the construction and operation of the product and the hazards involved .
- Strictly prohibit the pulling of the input and output cords during the pulling out of the fixture from the box as they are fixed in the driving power supply inside with water joint.If the cords PG7 are tightening for a longer time,it will result in bad connection.