

Owner's Manual

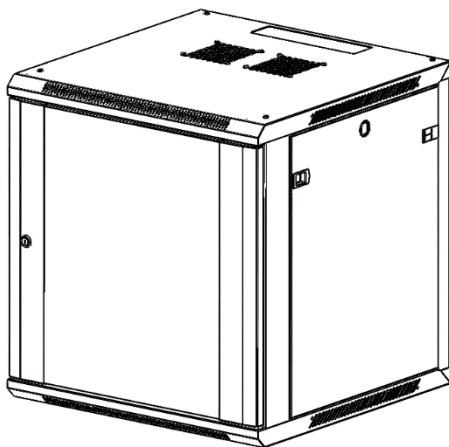
Rev. 2.5

aeonstech.com

support@aeonstech.com

Professional Series Wall-Mounted Enclosure

Applied to Model Series: Pxx06, Pxx09, Pxx12, Pxx15, Pxx18, Pxx22



*actual product may vary from picture



1644 N Maple Street, Corona, CA 92880

www.aeonstech.com/support

Important Safety Instructions



This manual contains instructions and warnings that must be followed during the installation and operation of the product. Failure to comply may invalidate the warranty and cause property damage or personal injury.

Keep the enclosure in a controlled indoor environment, away from moisture, temperature extremes, flammable liquids and gasses, conductive contaminants, dust, and direct sunlight. Leave adequate space at the front and rear of the enclosure for proper ventilation. Do not block, cover or insert objects into the external ventilation openings of the enclosure.

The enclosure is extremely heavy. Use caution when handling the enclosure. Do not attempt to unpack, move or install it unassisted. Use a mechanical device such as a forklift or pallet jack to move the enclosure in the shipping container. Inspect the shipping container and the enclosure for shipping damage. Do not use the enclosure if it is damaged. Leave the enclosure in the shipping container until it has been moved as close to the final installation location as possible.

Use caution when cutting packing materials. The enclosure may be scratched, causing damage not covered by the warranty. Save all packing materials for later use. Repacking and shipping the enclosure without the original packing materials may cause product damage that will void the warranty.

Install the enclosure in a structurally sound area capable of handling the load, or on a level floor that is able to bear the weight of the enclosure, all equipment that will be installed in the enclosure and any other enclosures and/or equipment that will be installed nearby. For permanent wall mounting, be sure to securely fasten the enclosure to the building structure before operation. Do not place any object on the enclosure, especially containers of liquid,

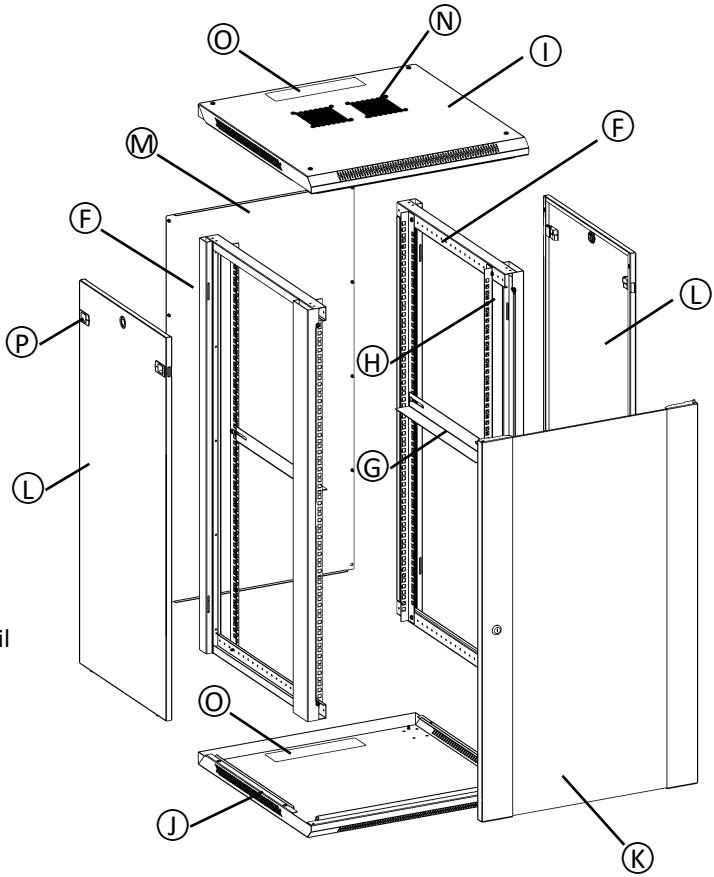
Overview

Thank you for purchasing the AEONS enclosure product.

The AEONS Professional series enclosures accommodate all standard 19-inch rackmount equipment. They feature premier quality, heavy-duty cabinets in various U sizes for quick and easy deployment.

Our enclosures include quick-release doors and side panels for convenient maintenance. Front access doors are reversible for installation flexibility. Front door and side panels are lockable. An optional rolling caster kit (optional for 15U-22U) is available for easy maneuvering of enclosures.

Parts Identification



- F. Side Frame
- G. L Bracket
- H. Mounting Rail
- I. Top Cover
- J. Bottom
- K. Front Door
- L. Side Panel
- M. Back Panel
- N. Vents
- O. Cable Access Cover
- P. Latch
- Q. Cage Nut Kit

Hardware List



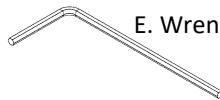
A. M6 Screw



D. M5.5 Conical



B. M6 Cage Nut

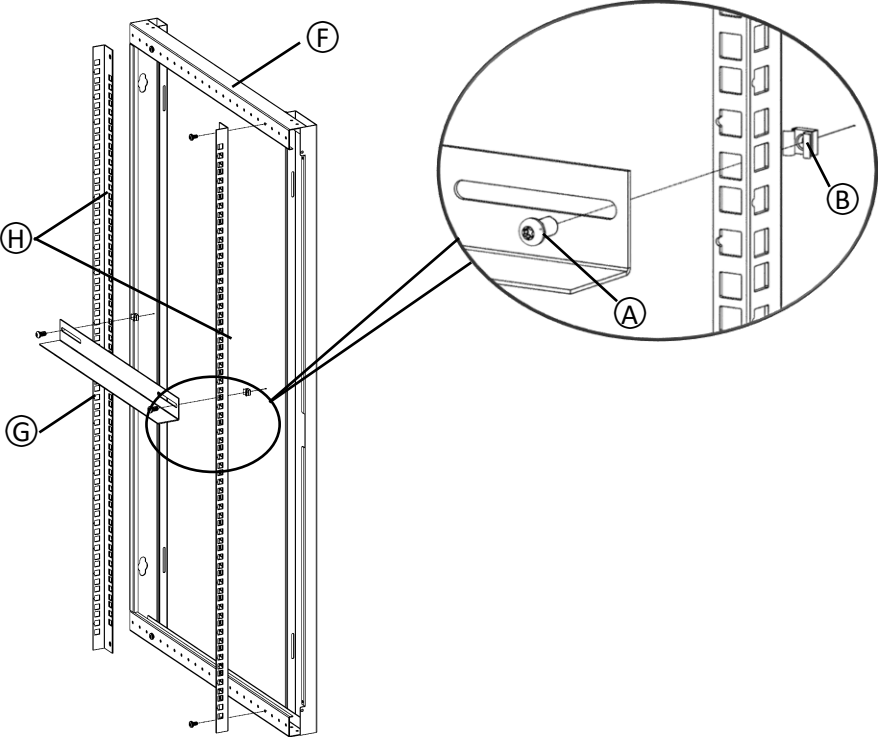


E. Wrench



C. M5.5 Self-Tapping

Assembly Steps



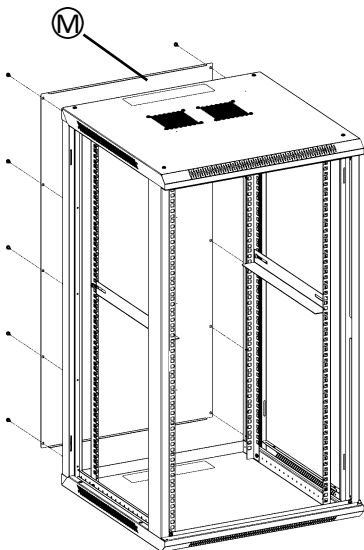
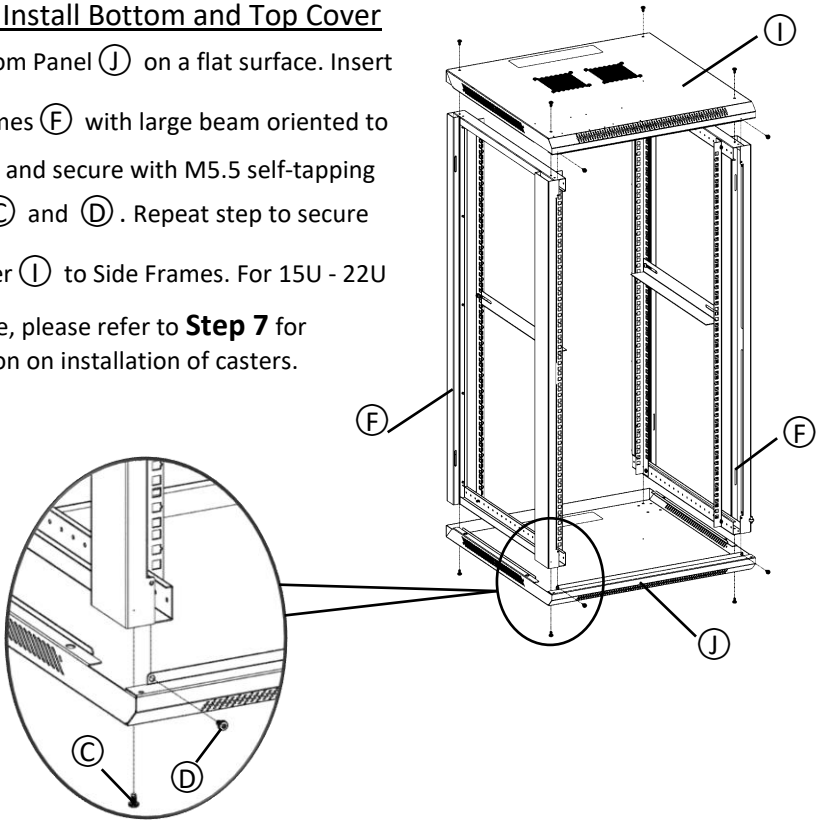
Step 1: Install Mounting Rail and L Bracket

Install the vertical Mounting Rails (H) to the Side Frame (F) at the desired depth using M5.5 self-tapping screws (C) provided in the kit. Repeat on other Side Frame.

Mount the L Bracket (G) to the vertical Mounting Rail (H) at desired height, using M6 screws (A) and M6 Cage Nuts (B) provided. Repeat on other Side Frame.

Step 2: Install Bottom and Top Cover

Lay Bottom Panel (J) on a flat surface. Insert Side Frames (F) with large beam oriented to the front and secure with M5.5 self-tapping screws (C) and (D). Repeat step to secure Top Cover (I) to Side Frames. For 15U - 22U enclosure, please refer to **Step 7** for instruction on installation of casters.



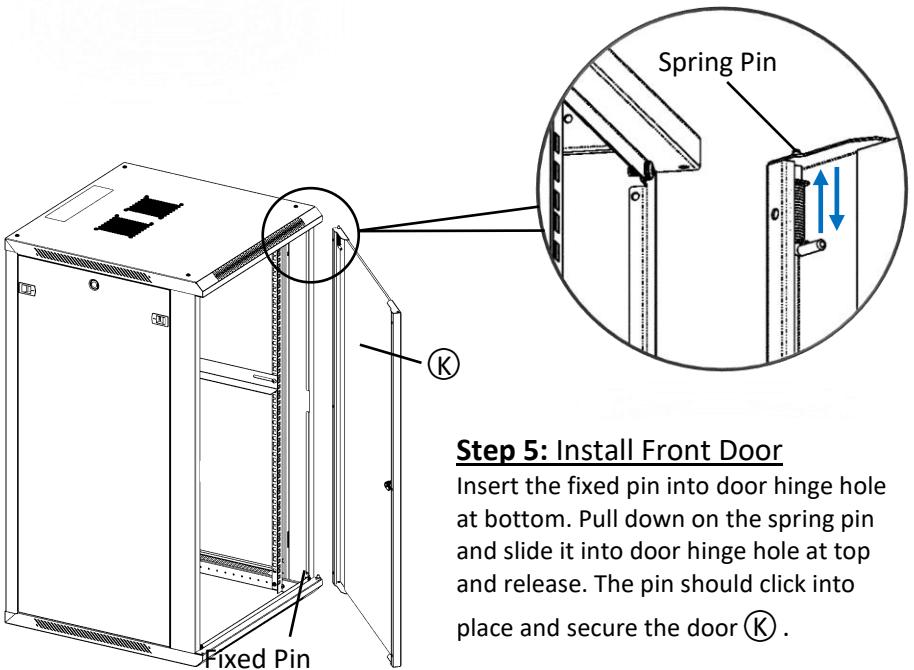
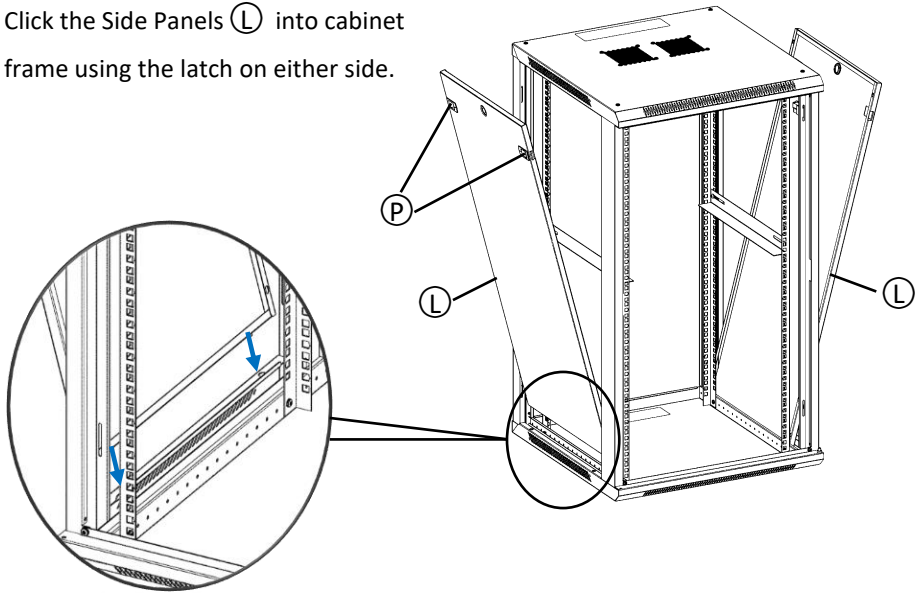
Step 3: Install Back Panel

Attach Back Panel (M) to the assembly using M5.5 self-tapping screws (C).

Step 4: Install Side Panel

Align the pins at the bottom of Side Panel (L) to the slots of cabinet frame.

Click the Side Panels (L) into cabinet frame using the latch on either side.



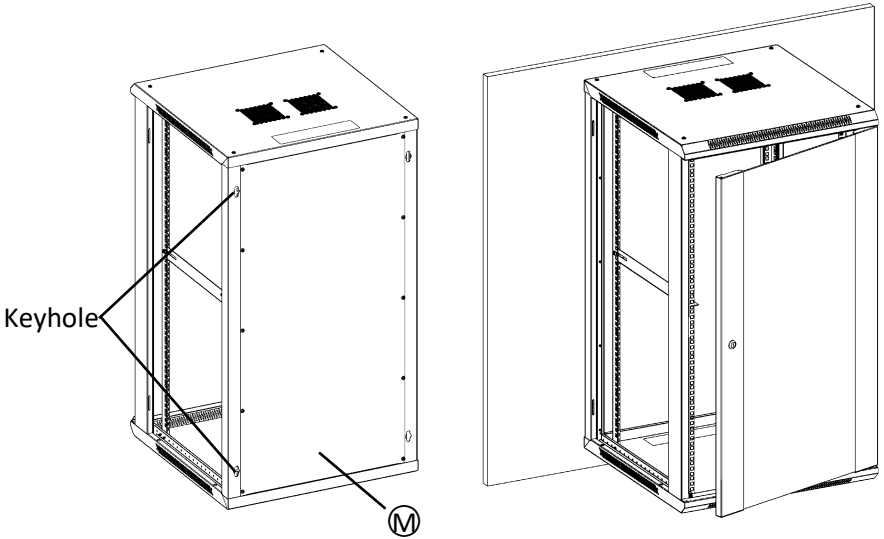
Step 5: Install Front Door

Insert the fixed pin into door hinge hole at bottom. Pull down on the spring pin and slide it into door hinge hole at top and release. The pin should click into place and secure the door (K).

Wall Mounting the Enclosure:

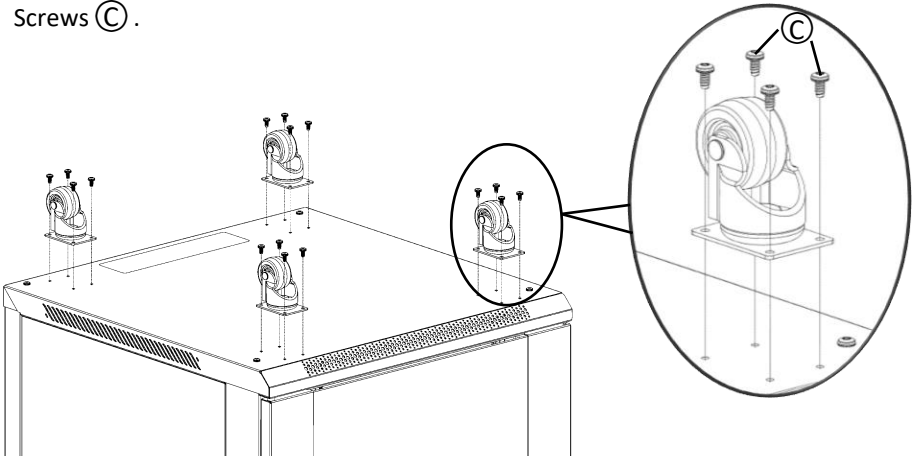
Mount the Enclosure using keyhole cutouts on the frame of the enclosure.

Note: Enclosure must be installed by a qualified technician. Before mounting, use a level and tape measure to position your mounting area precisely. Use appropriate fasteners (not included) to secure the enclosure to the wall. A minimum of four fasteners and appropriately sized fender washers is recommended.



Install Casters (Optional for 15 - 22U Cabinets):

Secure Casters to the Bottom Panel (J) of the cabinet with M5.5 Self-Tapping Screws (C).



Technical Support

Thank you for purchasing the Aeons product. We intend this manual to guide you through a smooth installation. Aeons assumes that you are qualified in the servicing of IT equipment and trained in recognizing any hazards that may occur in the installation of this product. Our lifetime technical support is an integral part of our commitment to provide industry-leading solutions. If you ever need help with our product, visit www.aeonstech.com and submit your Technical Support Request online or email your request to support@aeonstech.com.

Limitations of Liability

Different wall materials require different type of anchoring devices. Please contact a specialist for advice on suitable anchoring systems. Aeons is not liable for errors contained herein or for incidental or consequential damages in connection with the furnishing, performance, or use of this material.

Aeons assumes no responsibility for the use, application, or reliability of the software or hardware that you install into the product.

It is highly recommended that installation of this product be performed by a qualified and experienced installer. Improper installation of this product could result in damage to the product, other equipment, or personal injury. Aeons cannot be held responsible for damage to equipment or personal injury resulting from improper use, installation or the misuse of information presented in this document.

Use of Trademarks and other Protected Names and Symbols

This manual may make reference to trademarks, registered trademarks, and other protected names and/or symbols of third-party companies not related in any way to Aeons. These references are for illustrative purposes only and do not represent an endorsement of a product or service by us, or an endorsement of the product(s) to which this manual applies