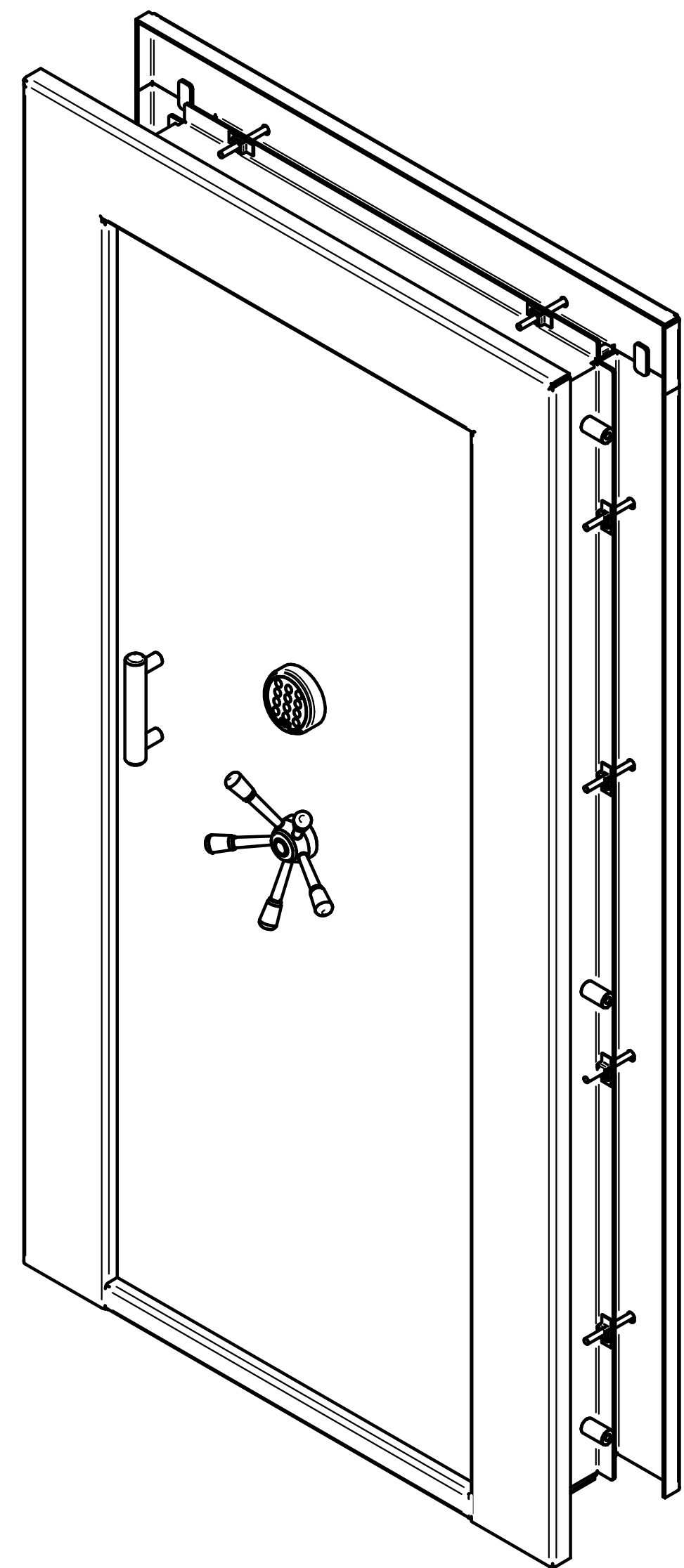


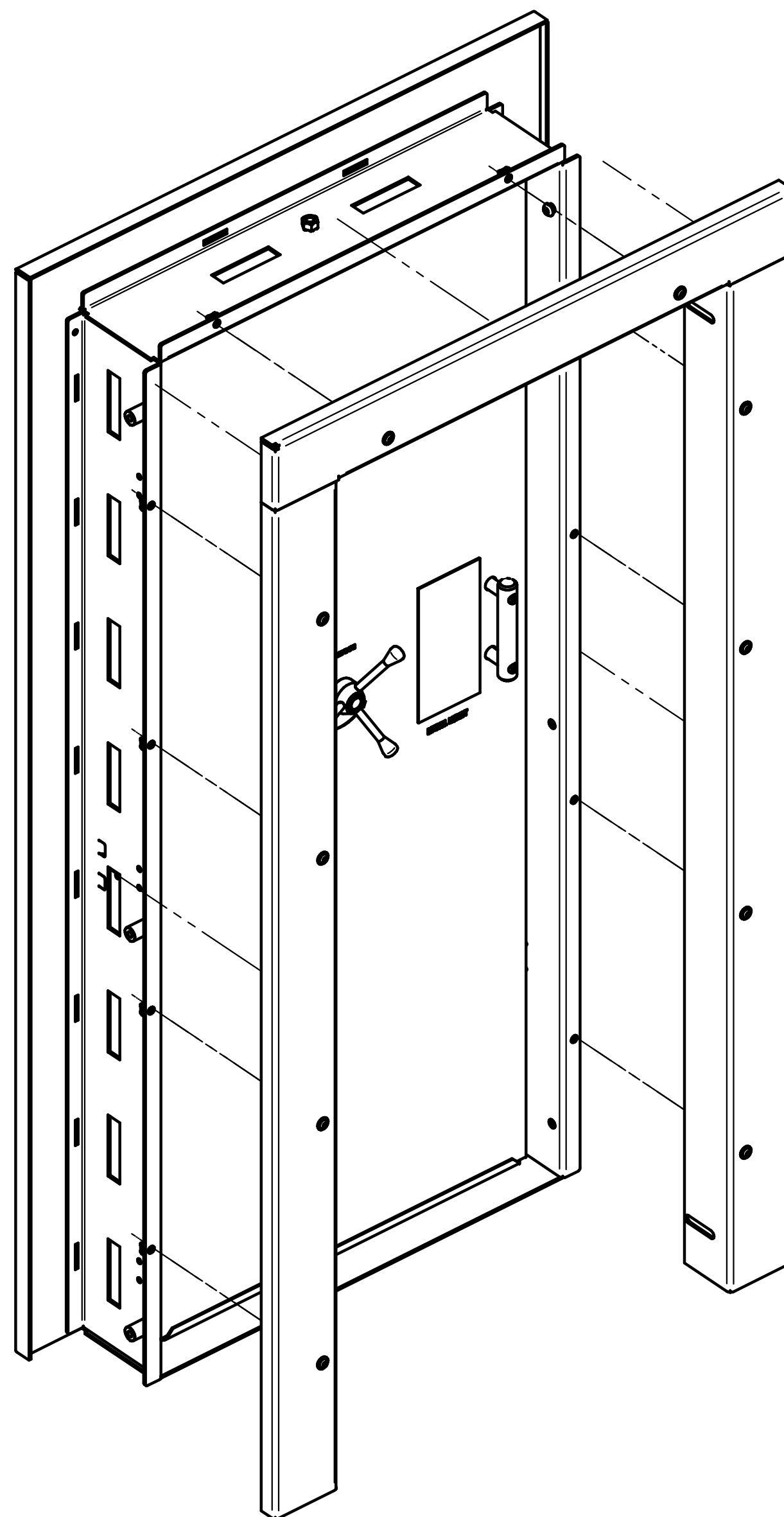
"THE BEAST" INSWING Vault Door by Liberty Safe

Shown: Right Hand Inswing



Front

4 Piece Clamshell Design



Back

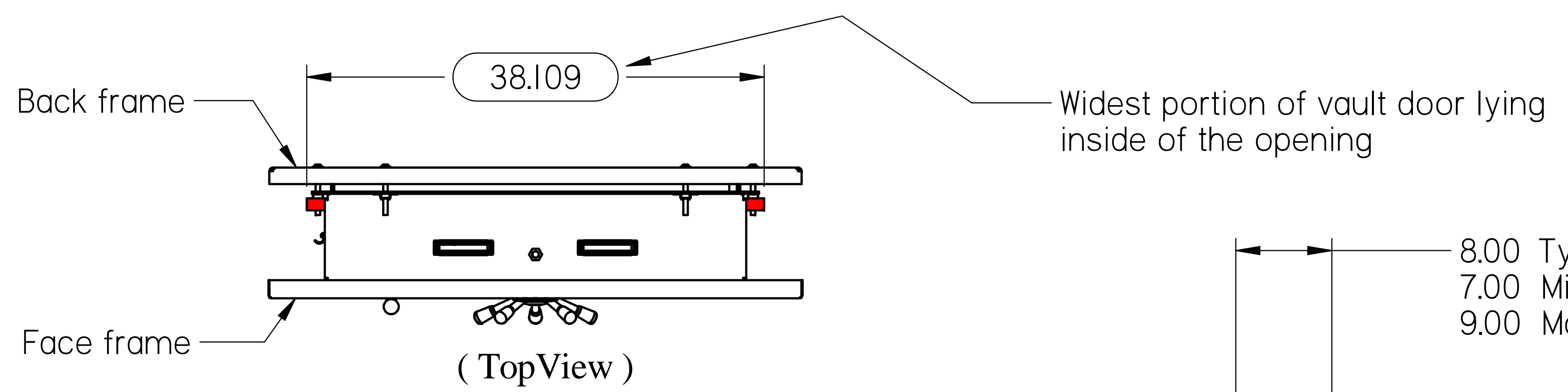


All information contained on this document is the sole property of Liberty Safe & Security. Any alteration or reproduction by any method is strictly forbidden without written authorization from Liberty Safe & Security, Inc.	DRAWN	NAME	DATE	LIBERTY SAFE & SECURITY PRODUCTS	
	CHECKED				
	ENG APPR			TITLE	DELUXE INSWING VAULT
	MGR APPR			SIZE	D
	UNLESS OTHERWISE SPECIFIED DIMENSIONS ARE IN INCHES			Rev_2019-06-01	
	ANGLES ±1.0°			FILE NAME: VDIN-XXX-18F_Specs_2020-04-01.dft	
	3 PL ±0.075			SCALE: 1:8 WEIGHT: SHEET 1 OF 5	

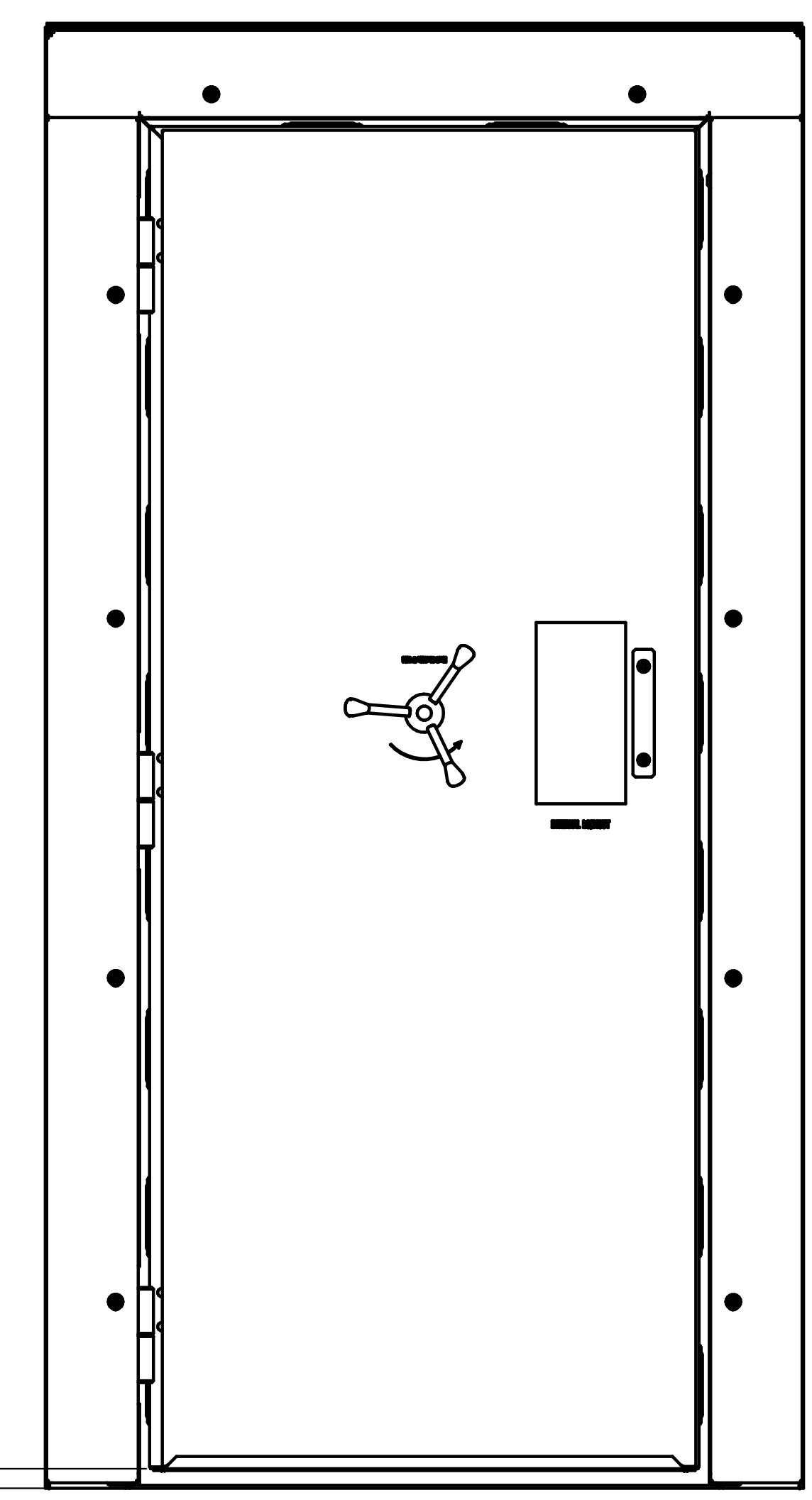
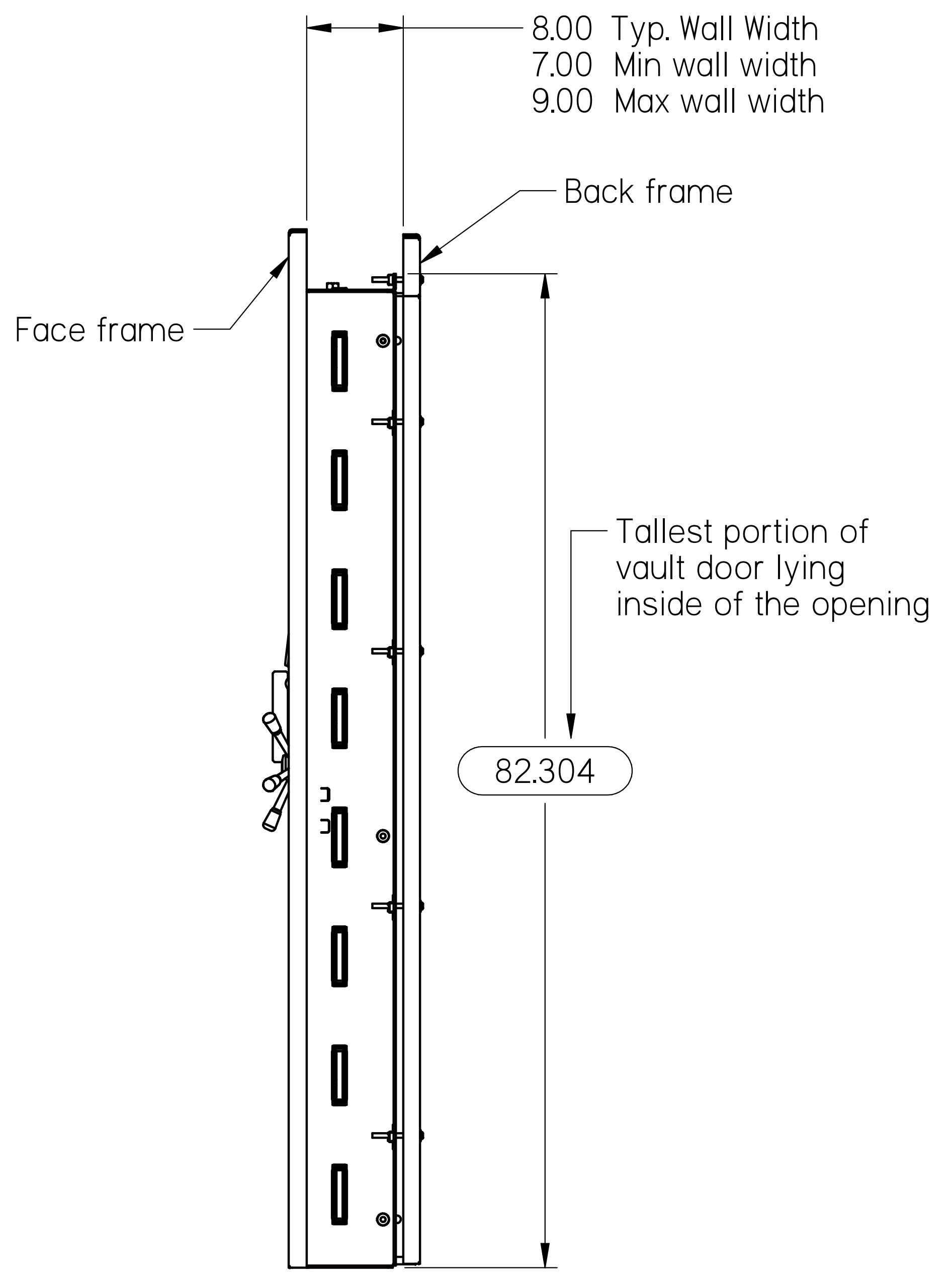
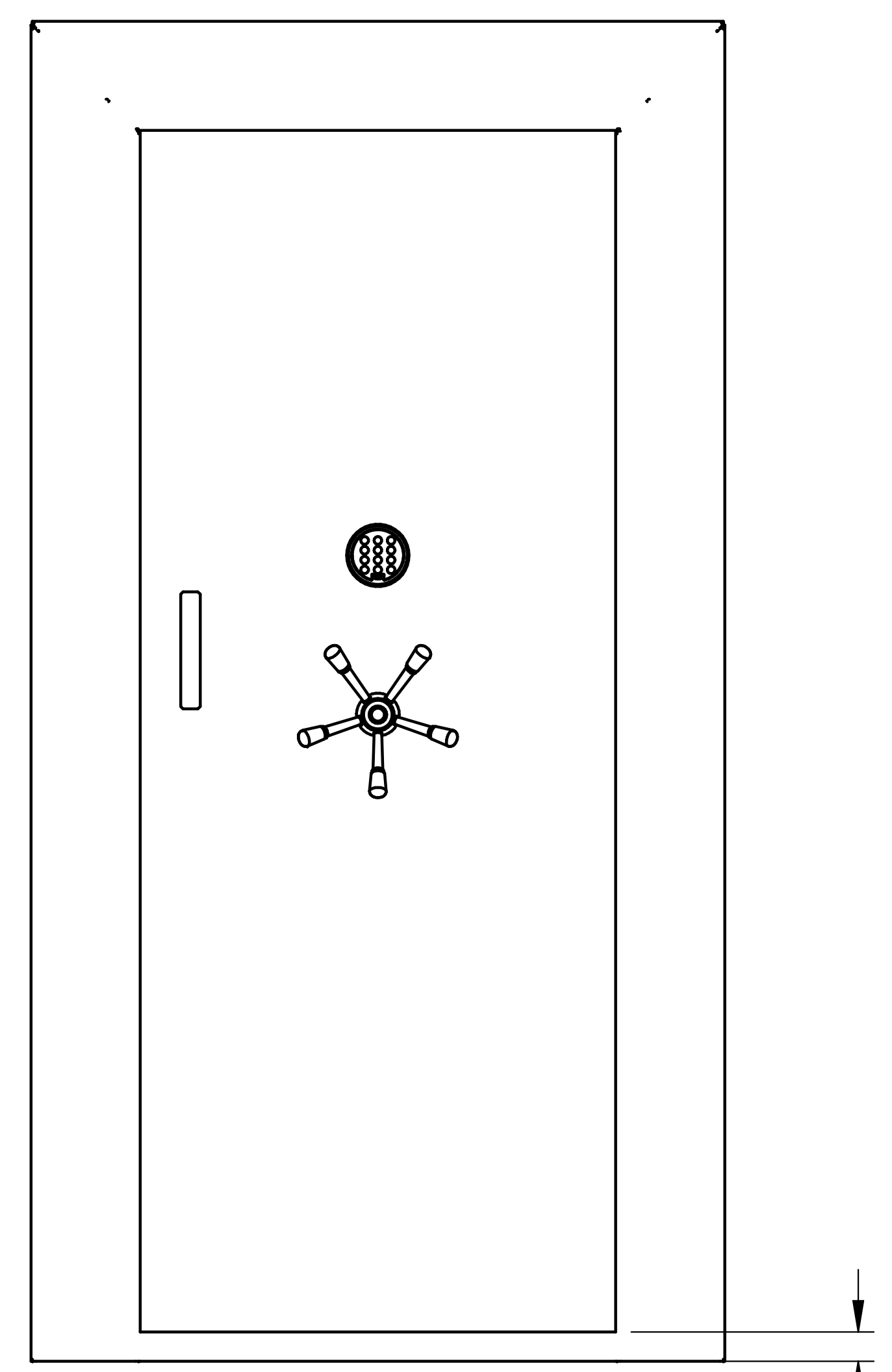
Clearances

Shown: Right Hand Inswing

Clearances are the same for Left Hand Inswing



8.00 Typ. Wall Width
7.00 Min wall width
9.00 Max wall width



1.150
Door to Floor Clearance



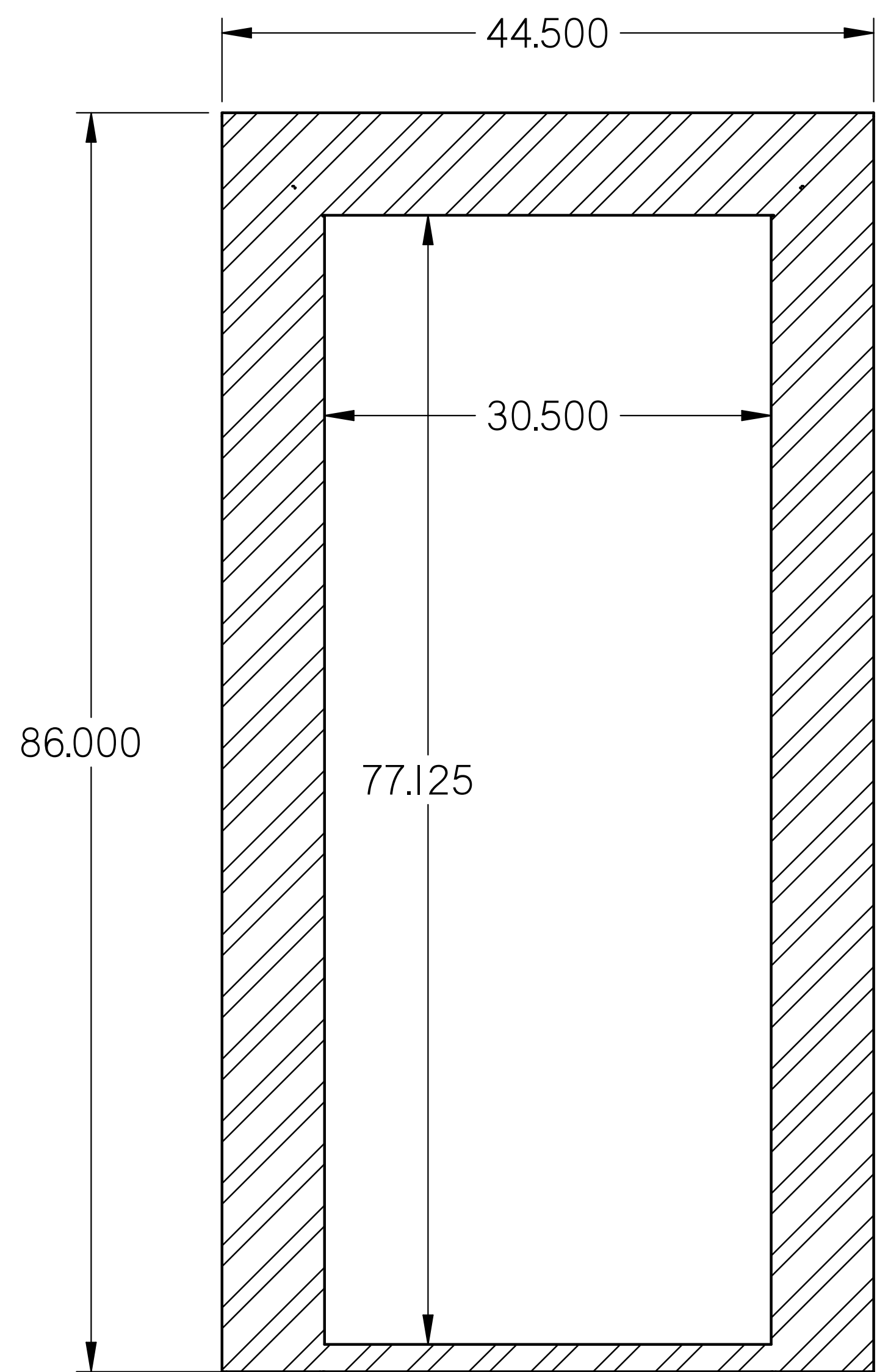
<small>All information contained on this document is the sole property of Liberty Safe & Security.</small> <small>Any alteration or reproduction by any method is strictly forbidden without written authorization from Liberty Safe & Security, Inc.</small>	NAME	DATE	LIBERTY SAFE & SECURITY PRODUCTS	
	DRAWN	ryand		04/13/20
	CHECKED			TITLE
	ENG APPR			DELUXE INSWING VAULT
MGR APPR			SIZE	
UNLESS OTHERWISE SPECIFIED DIMENSIONS ARE IN INCHES			D	
ANGLES ±1.0°			Rev_2019-06-01	
3 PL ±0.075			FILE NAME: VDIN-XXX-18F_Specs_2020-04-01.dft	
SCALE: 1:8	WEIGHT:	SHEET 2 OF 5		

Front and Back Frame Dimensions

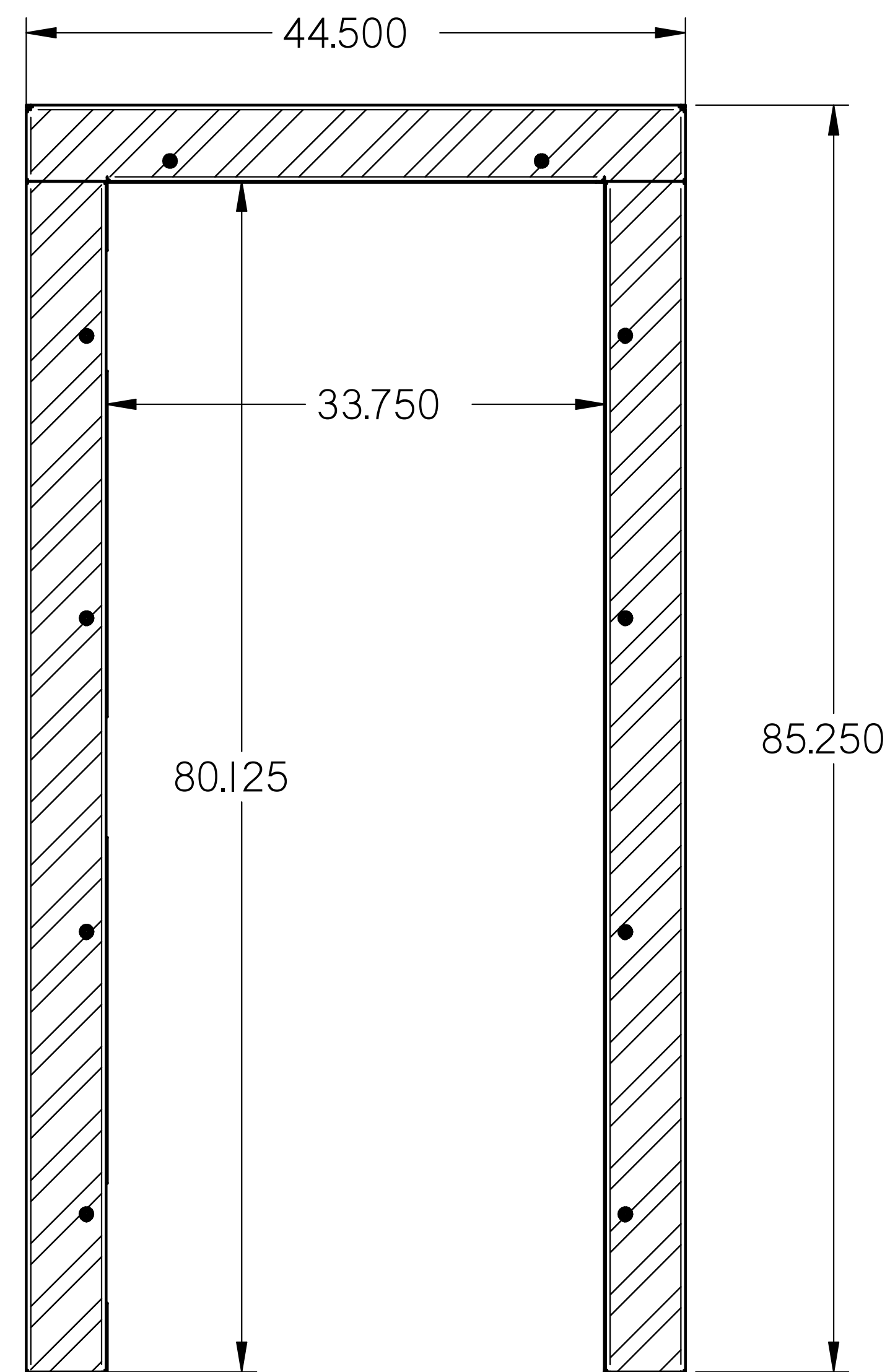
Shown: Right Hand Inswing

Dimensions are the same for Left Hand Inswing

This shows the amount of space that the vault door will use on the wall.



Face Frame
(Front)



Back Frame
(Back)



All information contained on this document is the sole property of Liberty Safe & Security. Any alteration or reproduction by any method is strictly forbidden without written authorization from Liberty Safe & Security, Inc.	NAME	DATE	LIBERTY SAFE & SECURITY PRODUCTS
	DRAWN	ryand 04/13/20	
	CHECKED		TITLE
	ENG APPR		DELUXE INSWING VAULT
	MGR APPR		SIZE
			D
			Rev_2019-06-01
			FILE NAME: VDIN-XXX-18F_Specs_2020-04-01.dft
			SCALE: 1:8
			WEIGHT:
			SHEET 3 OF 5

1 2 3 4 5 6 7 8 9 10 11 12

H

H

G

G

F

F

E

E

D

D

C

C

B

B

A

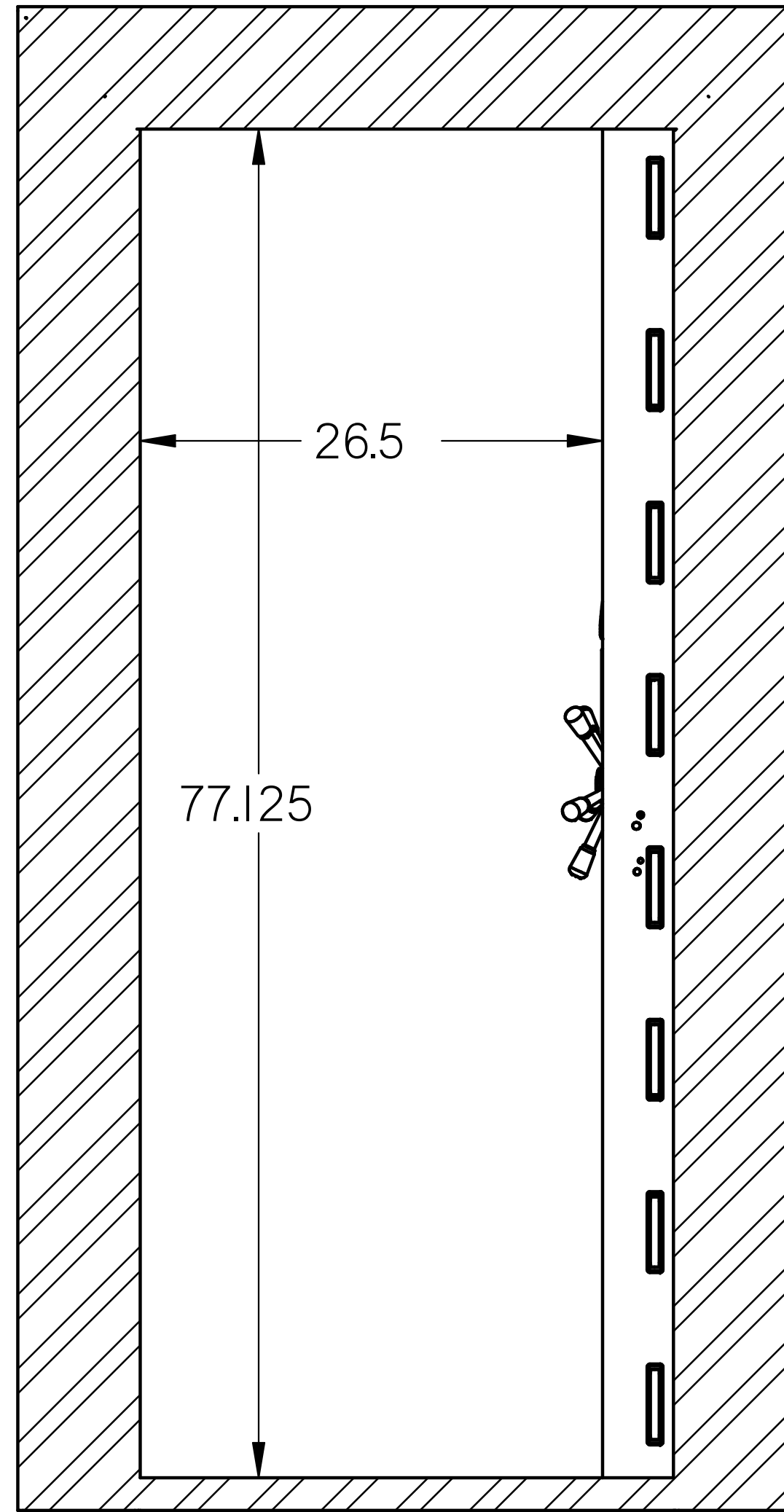
A

1 2 3 4 5 6 7 8 9 10 11 12

Walk Through Clearances

Shown: Right Hand Inswing

Dimensions are the same for Left Hand Inswing



Door allowed to open at 90°
(Front View)



<small>All information contained on this document is the sole property of Liberty Safe & Security.</small> <small>Any alteration or reproduction by any method is strictly forbidden without written authorization from Liberty Safe & Security, Inc.</small>	NAME	DATE	LIBERTY SAFE & SECURITY PRODUCTS
	DRAWN	ryand 04/13/20	
	CHECKED		TITLE
	ENG APPR		DELUXE INSWING VAULT
MGR APPR		SIZE	D
UNLESS OTHERWISE SPECIFIED DIMENSIONS ARE IN INCHES ANGLES ±1.0° 3 PL ±0.075			FILE NAME: VDIN-XXX-18F_Specs_2020-04-01.dft
SCALE: 1:8		WEIGHT:	SHEET 4 OF 5

Opening Requirements

Shown: Typical rough opening for a normal 36" wide x 80" tall door in a foundation wall

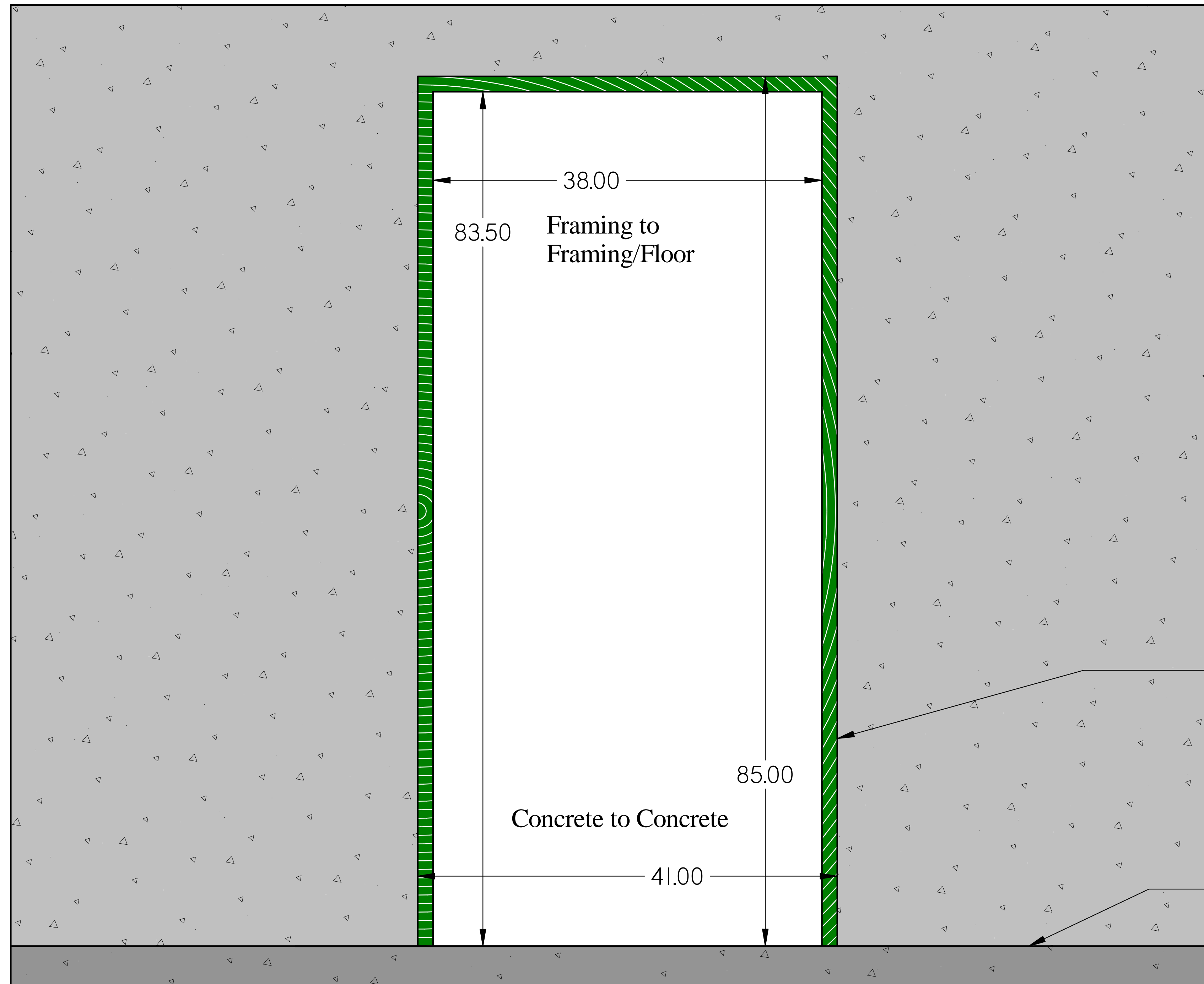
The DELUXE INSWING vault door will accommodate any opening that is between:

39"-42" Wide

82.5"-85" Tall

7"-9" Wall Thickness

These values may vary slightly based on the squareness of the opening.



Treated lumber is often secured to the concrete so that a door may be fastened to the opening. This may be cut or modified as needed.

Top of floor



All information contained on this document is the sole property of Liberty Safe & Security.		UNLESS OTHERWISE SPECIFIED DIMENSIONS ARE IN INCHES ANGLES ±1.0° 3 PL ±0.075	LIBERTY SAFE & SECURITY PRODUCTS
DRAWN	ryand	DATE	04/13/20
CHECKED			
ENG APPR			
MGR APPR			
TITLE		SIZE	Rev_2019-06-01
FILE NAME: VDIN-XXX-18F_Specs_2020-04-01.dft		SCALE: 1:1	WEIGHT: SHEET 5 OF 5