



Lit Up Wide Angle News Desk




 (704) 339-0785

 support@tvsetdesigns.com

 @tvsetdesigns

 /tvsetdesigns

 #tvsetdesigns

 808 Tuckaseegee Road, Charlotte, NC 28208

Lit Up Wide Angle Desk

The broad 8' sweeping curve of this desk brings your presenters together. The Lit Up Wide Angle Desk's lighting will dazzle your audience. Seen here with three zones of RGBW lights, the top, columns, and body can each be lit in different colors.



Classic Wide Angle



Options shown: column downlighting, custom graphic

Lit Up Wide Angle



Options shown: edge lighting, smart TV, plexi overlay

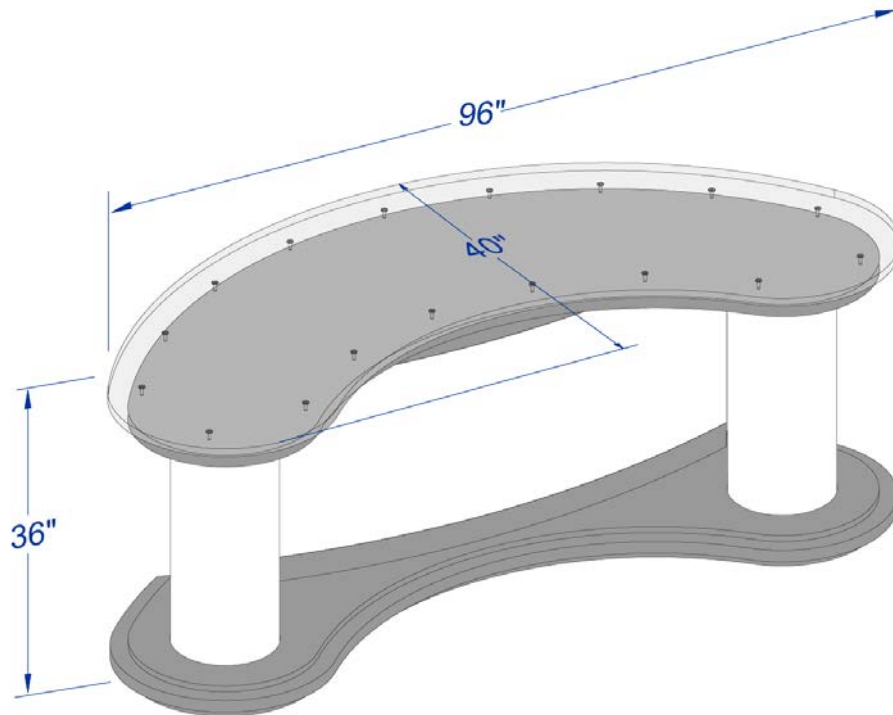
Features

Desk Top	3/4" Laminate Top	1" Acrylic Top
RGBW Edge Lighting	Optional	Optional
RGBW Lightbox Body	Optional	Standard
White Column Downlighting	Optional	—
RGBW Interior Column Lighting	—	Standard

Add-Ons

43" LED Smart TV	✓	✓
Custom Graphic	✓	✓
Perforated Vinyl Wrap	✓	✓
Removable Black Fabric Top	✓	✓
Removable Black Plexi Overlay	✓	Conditional

Small Lit Up Wide Angle Specifications

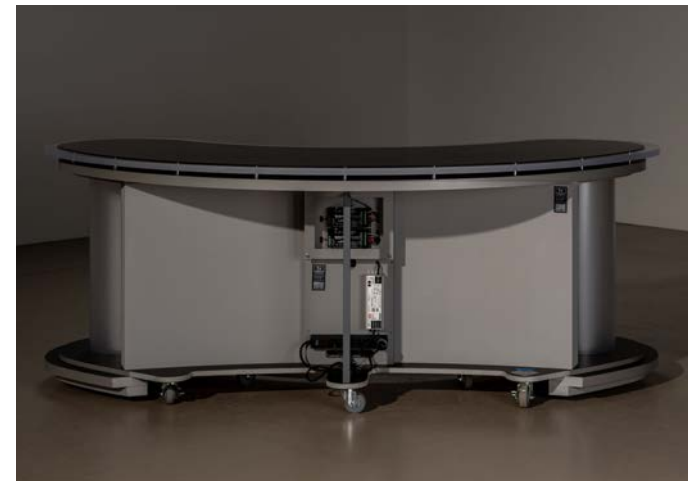


Assembled Footprint: 96" W x 41" D **Desk Weight:** 275 pounds
Crate Dimensions: 107"L x 49"W x 49"H **Crate Weight:** 650 pounds

Features

- Small model seats 3 people
- Comes with locking casters
- Two RGBW LED lighting zones: desk body & columns
- Multi-channel controller to adjust thousands of colors
- DMX lighting compatible with your studio's controls

Desk Back



Lit Up Wide Angle Desk

This Lit Up Wide Angle Desk has all the best options. In addition to the standard RGBW lightbox body and RGBW columns, it has a RGBW lit acrylic top, perforated vinyl wrap, and a 43" Smart TV. With built-in HDMI and USB ports your logo, motion graphics, or video are easy to feature front and center.





TVsetdesigns.com LLC
 808 Tuckaseegee Road
 Charlotte, NC 28208-4435

Voice:704-339-0785 Fax:704-339-0545
 support@tvsetdesigns.com

Quote

Date	Estimate #
1/1/2024	DWALUSEdg24

Billing Company Name / Address:

EXAMPLE QUOTE ONLY
 DO NOT SUBMIT A P.O.
 ALL QUOTES ARE JOB SPECIFIC



Customer Phone	Customer E-mail	Terms	PO Number
	support@tvsetdesigns.com		

Description	Qty	Rate	U/M	Total
Project to build a Small Lit Up Wide Angle Desk with edge lighting, face mounted TV, and perforated graphic face				
Small Lit Up Wide Angle Desk, 96"W X 30"D X 36"H, 1" thick clear acrylic top, Wood/Laminate base, RGBW lightbox, multi-channel controller, perforated graphic front, RGBW column lights, locking castors, approx 275 pounds	1	15,260.00	ea	15,260.00
Edge Lighting for Small or Large Lit Up Wide Angle Desk, single-zone, RGBW LED tape with power supply, DMX driver, 1/8" black plexi light source cover, and install	1	1,372.00	ea	1,372.00
Monitor 43" 4K Smart TV, wall mount, and install on desk face	1	934.00	ea	934.00
Ship Small Wide Angle Desk with Crating - Approx 107"L X 49"W X 49"H 700 lbs via LTL furniture class freight **Client provides unloading and install labor Quotes for installation or dedicated truck delivery are available upon request	1	1,369.00	ea	1,369.00
Typical production time for this project is 6-8 weeks. Construction does not begin until payment has been received, all design decisions have been approved, and finishes have been selected Payment terms: 100% Deposit Due to start construction In lieu of deposit payments, POs are accepted only from state or federal school districts, collegiate/university institutions, and U.S. government organizations Please note that sales tax may be added at the time of invoicing. If we do not receive the appropriate exemption or resale certificate, we must charge tax in certain states Total sales tax calculated by AvaTax		0.00		0.00

<p>This pricing will be honored until the end of the calendar year that the quote was issued. All freight is LTL service and the client is responsible for unloading and installation unless otherwise indicated above. Image use rights are the responsibility of the end user.</p>	Total	\$18,935.00
--	-------	-------------

Additional Examples



Wide Angle Desk with Edge Lighting

The RGBW Edge Lighting lets you add color to the 1" acrylic top. This option requires the 1/8" Black Plexi Overlay to hide lighting elements.

Options:

- Perforated Vinyl Wrap
- RGBW Edge Lighting with Black Plexi Overlay

\$18,001 with freight

Wide Angle Desk with Cut Out Graphic

Showcase your brand or logo of choice with a custom RGBW backlit graphic. As shown here the graphic is integrated into the Perforated Vinyl Wrap.

Options:

- Perforated Vinyl Wrap with Graphic
- RGBW Edge Lighting with Black Plexi Overlay

\$18,001 with freight



Additional Examples



Wide Angle Desk with Monitor

The addition of a LED smart TV to your desk is a powerful tool for displaying dynamic graphics or media on set. The opportunities for customization are endless. It affords this desk the potential to work across several different shows or programs.

Options:

- Perforated Vinyl Wrap
- Face-Mount 43" Monitor

\$17,563 with freight

Wide Angle Desk with Black Fabric Top

An 1/8" black fabric top eliminates reflections and glare allowing for use of a green screen. It's also a good looking add on to finish the look of your desk.

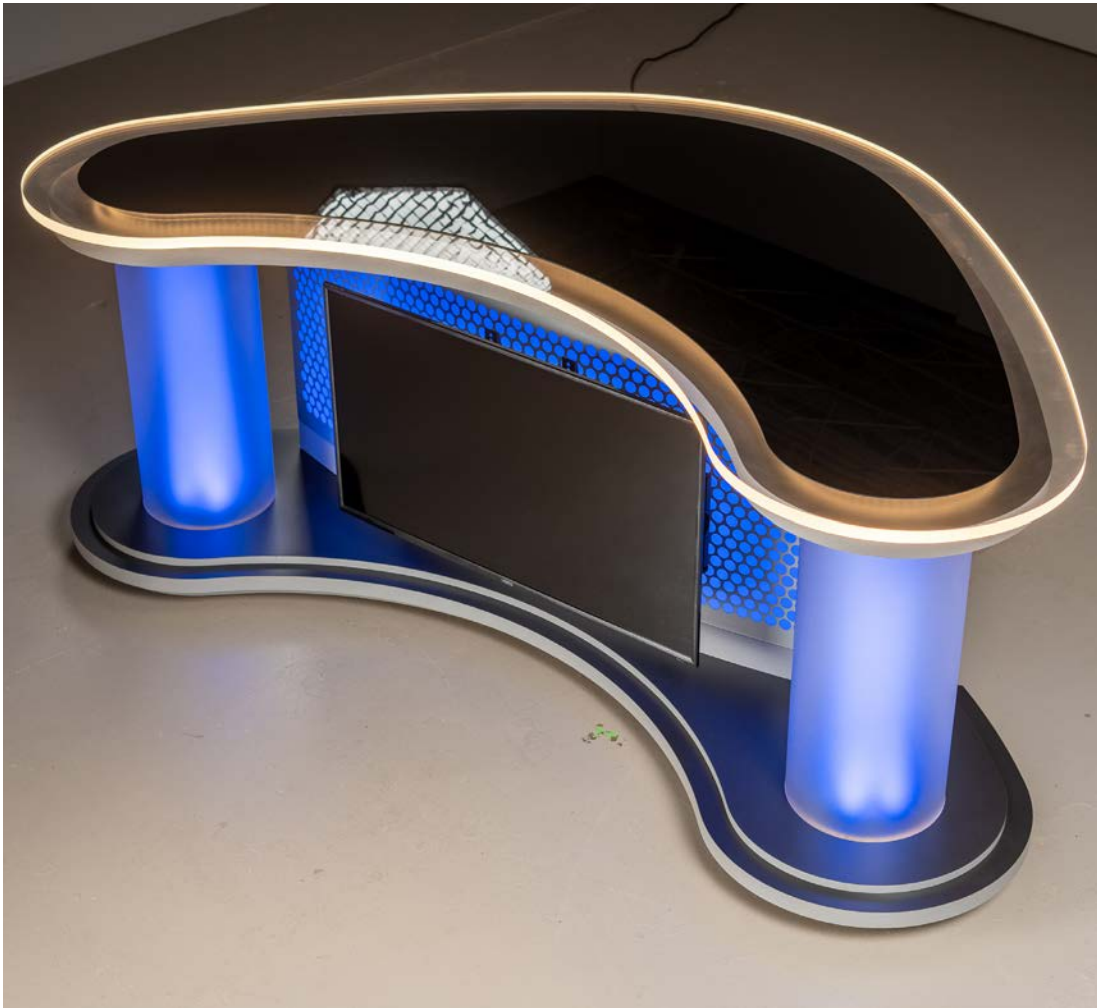
Options:

- Perforated Vinyl Wrap
- RGBW Edge Lighting with Black Plexi Overlay
- Face-Mount 43" Monitor
- 1/8" Black Fabric Top

\$19,496 with freight



But what if I want more?



Large Model with Edge Lighting + Monitor

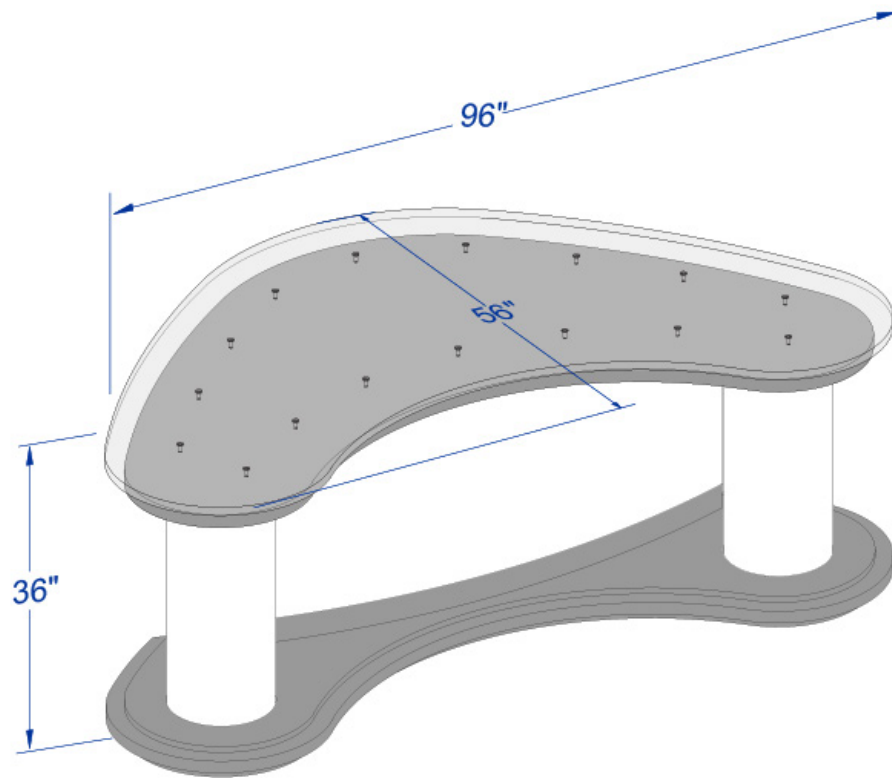
Add depth to your Wide Angle Desk to seat 5 presenters.

Options:

- Perforated Vinyl Wrap
- RGBW Edge Lighting with Black Plexi Overlay
- Face-Mount 43" Monitor

\$20,127 with freight

Large Lit Up Wide Angle Specifications



Assembled Footprint: 96" W x 56" D

Desk Weight: 325 pounds

Crate Dimensions: 107"L x 62"W x 49"H

Crate Weight: 715 pounds

Features

- Small model seats 3 people
- Comes with locking casters
- Two RGBW LED lighting zones: desk body & columns
- Multi-channel controller to adjust thousands of colors
- DMX lighting compatible with your studio's controls

Desk Back

