





Classic Wide Angle News Desk



 (704) 339-0785

 support@tvsetdesigns.com

 @tvsetdesigns

 /tvsetdesigns

 #tvsetdesigns

 808 Tuckaseegee Road, Charlotte, NC 28208

Classic Wide Angle Desk

The broad 8' sweeping curve of the Classic Wide Angle Desk brings up to 3 presenters together. The desk shown here has White LED Column Downlights to brighten up the body and columns.



Classic Wide Angle



Options shown: column downlighting, custom graphic

Lit Up Wide Angle



Options shown: edge lighting, smart TV, plexi overlay

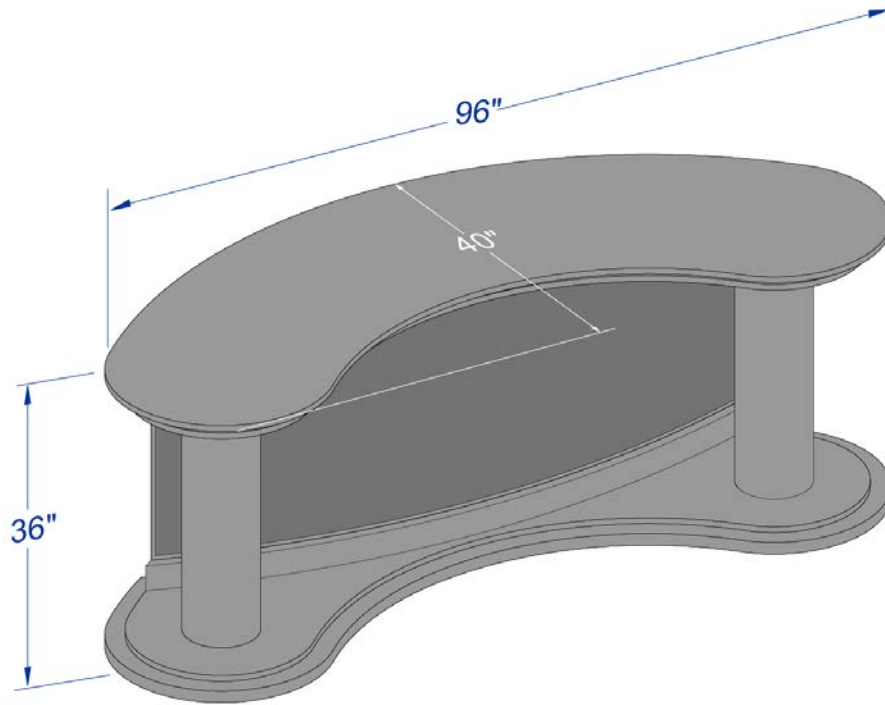
Features

	3/4" Laminate Top	1" Acrylic Top
Desk Top	3/4" Laminate Top	1" Acrylic Top
RGBW Edge Lighting	Optional	Optional
RGBW Lightbox Body	Optional	Standard
White Column Downlighting	Optional	—
RGBW Interior Column Lighting	—	Standard

Add-Ons

43" LED Smart TV	✓	✓
Custom Graphic	✓	✓
Perforated Vinyl Wrap	✓	✓
Removable Black Fabric Top	✓	✓
Removable Black Plexi Top	✓	Conditional

Small Classic Wide Angle Specifications



Assembled Footprint: 96" W x 41" D **Desk Weight:** 275 pounds
Crate Dimensions: 107"L x 49"W x 49"H **Crate Weight:** 650 pounds

Features

- Seats 3 people
- Comes with locking casters
- Thousands of laminate finish options

Desk Back



Classic Wide Angle Desk

This Classic Wide Angle Desk features a custom mounted graphic with shadow relief. This desk looks sharp in its all metallic laminate body with black laminate top.





TVsetdesigns.com LLC
 808 Tuckaseegee Road
 Charlotte, NC 28208-4435

Voice:704-339-0785 Fax:704-339-0545
 support@tvsetdesigns.com

Quote

Date	Estimate #
1/1/2024	DWACSGfx24

Billing Company Name / Address:

EXAMPLE QUOTE ONLY
DO NOT SUBMIT A P.O.
ALL QUOTES ARE JOB SPECIFIC



Customer Phone	Customer E-mail	Terms	PO Number
	support@tvsetdesigns.com		

Description	Qty	Rate	U/M	Total
Project to build a Small Classic Wide Angle Desk with a face graphic				
Small Classic Wide Angle Desk, 96"W X 30"D X 36"H Wood/Melamine/Laminate, locking castors, approx 275 pounds	1	8,931.00	ea	8,931.00
Graphic for Desk Face, contour cut applied vinyl or UV print to PVC - Includes renderings with up to 2 revisions	1	614.00	ea	614.00
Ship Small Wide Angle Desk with Crating - Approx 107"L X 49"W X 49"H 700 lbs via LTL furniture class freight **Client provides unloading and install labor Quotes for installation or dedicated truck delivery are available upon request	1	1,369.00	ea	1,369.00
Typical production time for this project is 6-8 weeks. Construction does not begin until payment has been received, all design decisions have been approved, and finishes have been selected				
Payment terms: 100% Deposit Due to start construction In lieu of deposit payments, POs are accepted only from state or federal school districts, collegiate/university institutions, and U.S. government organizations				
Please note that sales tax may be added at the time of invoicing. If we do not receive the appropriate exemption or resale certificate, we must charge tax in certain states Total sales tax calculated by AvaTax		0.00		0.00

This pricing will be honored until the end of the calendar year that the quote was issued. All freight is LTL service and the client is responsible for unloading and installation unless otherwise indicated above. Image use rights are the responsibility of the end user.			Total	\$10,914.00
---	--	--	--------------	-------------

Additional Examples



Wide Angle Desk with Black Fabric Top

An 1/8" black fabric top eliminates reflections and glare allowing for use of a green screen. It's also a good looking add on to finish the look of your desk.

Options:

- Removable 1/8" Black Fabric Top

\$10,861 with freight

Wide Angle Desk with Column Downlights

The addition of White LED Column Downlights brightens and accents the body and columns of the desk. This feature comes with a multi-channel DMX controller allowing you to easily adjust the brightness of your downlights.

Options:

- White LED Downlights
- Custom Mounted Graphic

\$11,564 with freight



Additional Examples



Wide Angle Desk with Graphic Front

Add interest to the front of your desk with our perforated vinyl wrap and showcase your logo or graphic with a custom mounted graphic.

Options:

- White LED Downlights
- Perforated Vinyl Wrap
- Custom Mounted Graphic

\$12,178 with freight

Wide Angle Desk with RGBW Edge Lighting

RGBW edge lighting gives your desk a bright and colorful glow-up. This feature comes with a multi-channel DMX controller allowing you to easily adjust the brightness and choose from thousands of colors for your edge lighting.

Options:

- White LED Downlights
- RGBW Edge Lighting
- Custom Vinyl Graphic

\$12,673 with freight



Additional Examples



Wide Angle Desk with Lightbox Body

The addition of the RGBW Lightbox Body will dazzle your audience. With the flip of switch you're able to change the color of your desk. This feature comes with a multi-channel DMX controller allowing you to easily adjust the brightness and choose from thousands of colors.

Options:

- RGBW Lightbox Body
- Custom Vinyl Graphic
- Removable 1/8" Black Fabric Top

\$15,410 with freight

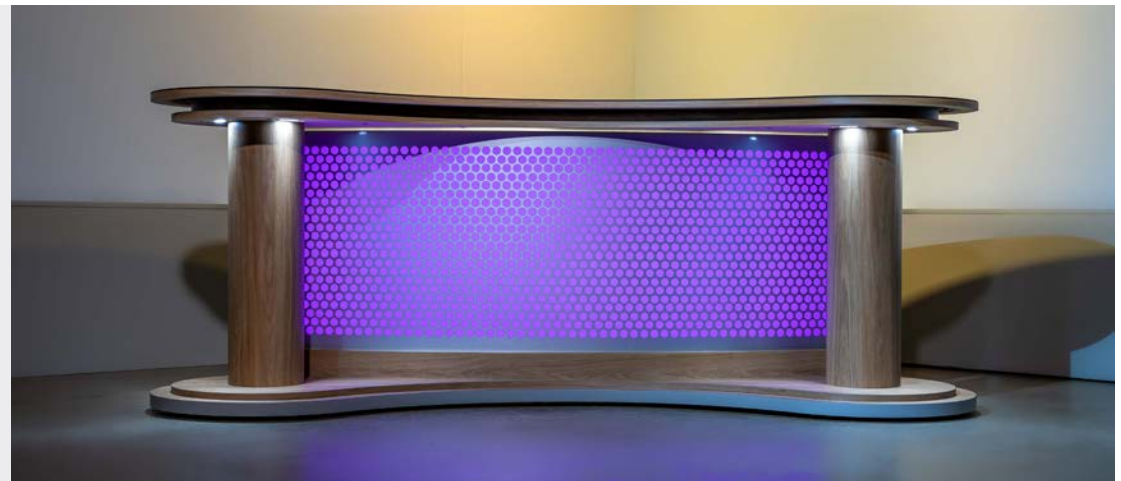
Wide Angle Desk with Downlights & Lightbox

The addition of White LED Column Downlights accents the columns of your desk, while the RGBW Lightbox Body lets you add adjustable color to body of your desk.

Options:

- Perforated Vinyl Wrap
- White LED Downlights
- RGBW Lightbox Body

\$15,499 with freight



Additional Examples



Wide Angle Desk with Monitor

The addition of a LED smart TV to your desk is a powerful tool for displaying dynamic graphics or media on set. The opportunities for customization are endless. It affords this desk the potential to work across several different shows or programs.

Options:

- Face-Mount 43" LED Smart TV

\$11,234 with freight

Wide Angle Desk with Monitor + Lightbox

The RGBW Lightbox Body lets you add adjustable color to face of your desk. Turn on the LED smart TV and you have a feature-loaded desk ready to perform on camera.

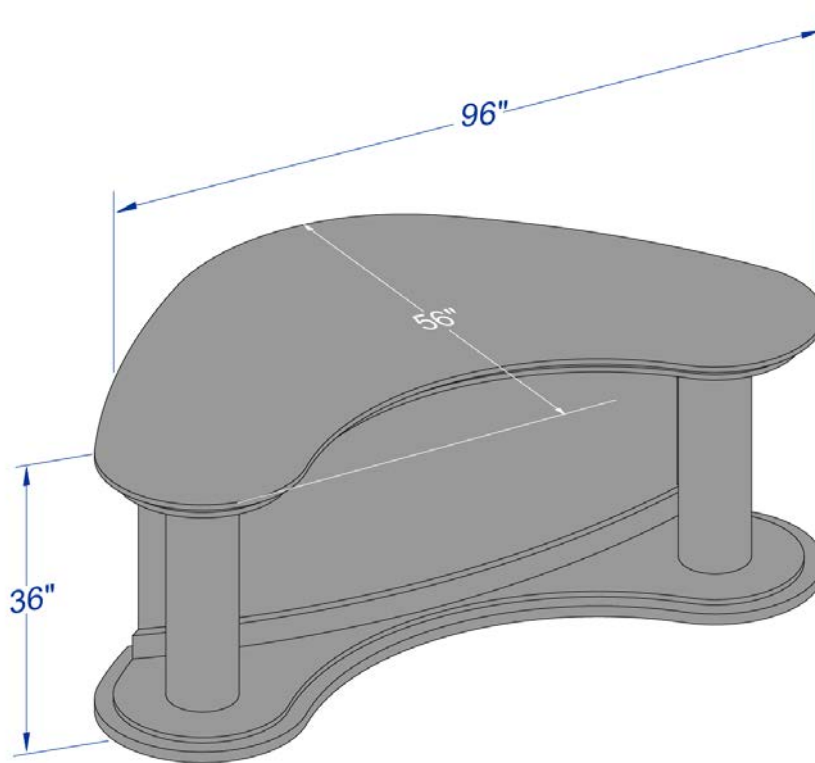
Options:

- Perforated Vinyl Wrap
- White LED Downlights
- RGBW Lightbox Body
- Face-Mount 43" LED Smart TV

\$16,433 with freight



Large Classic Wide Angle Specifications



Assembled Footprint: 96" W x 56" D **Desk Weight:** 315 pounds
Crate Dimensions: 107"L x 62"W x 49"H **Crate Weight:** 715 pounds

Features

- Seats 5 people
- Comes with locking casters
- Thousands of laminate finish options

Desk Back



Large Classic Wide Angle Examples



Large Wide Angle with Column Downlights

The addition of White LED Column Downlights brightens and accents the body and columns of the desk. This feature comes with a multi-channel DMX controller allowing you to easily adjust the brightness of your downlights.

Options:

- White LED Downlights

\$12,142 with freight

Large Wide Angle with Downlights + Monitor

The addition of a LED smart TV to your desk is a powerful tool for displaying dynamic graphics or media on set. The opportunities for customization are endless. It affords this desk the potential to work across several different shows or programs.

Options:

- White LED Downlights
- Face-Mount 43" LED Smart TV

\$13,076 with freight

