




Weather Desk




 (704) 339-0785

 support@tvsetdesigns.com

 [/tvsetdesigns.com](https://www.linkedin.com/company/tvsetdesigns.com)

 [/tvsetdesigns](https://www.facebook.com/tvsetdesigns)

 [@tvsetdesigns](https://www.instagram.com/tvsetdesigns)

 808 Tuckaseegee Road, Charlotte, NC 28208

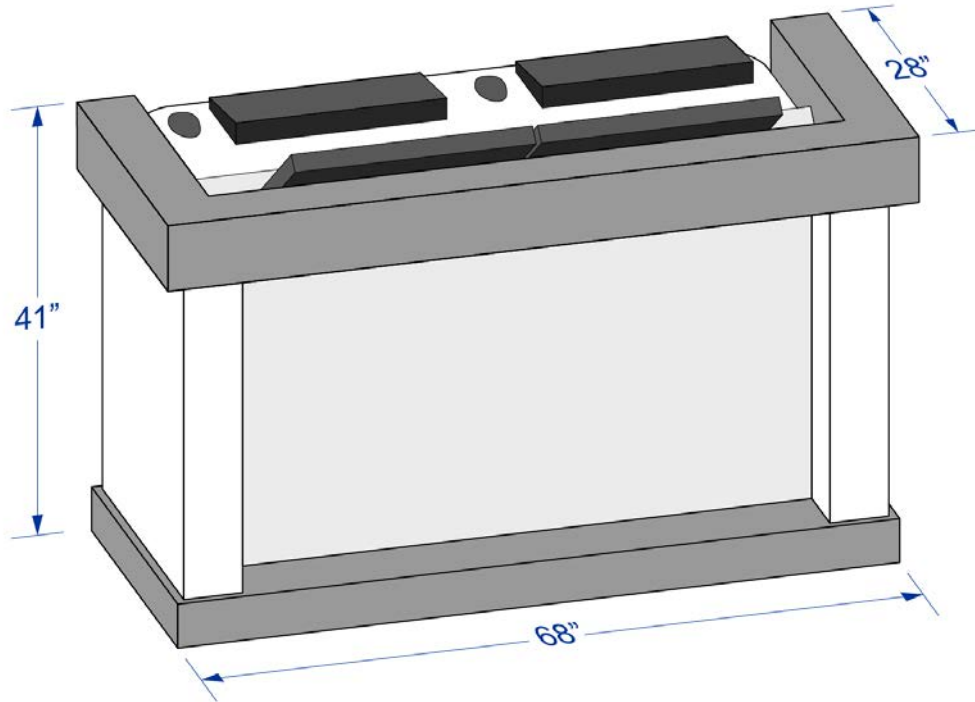
Weather Desk

The Weather Desk is designed to be flexible and easy to use. Built with fast-paced weather reporting in mind, the Weather Desk equips you with the tools to keep your audience informed and up-to-date. It is built with an integrated talent-side workstation, with the option to add an audience facing smart TV. As with most of our desks, the Weather Desk is available with your choice of laminates.



*computer equipment shown in photos is for demonstration purposes only, customers provide their own computer equipment

Weather Desk Specifications



Assembled Footprint: 68"L x 36"W **Desk Weight:** 200 pounds
Crate Dimensions: 76"L x 36"W x 48"H **Crate Weight:** 300 pounds

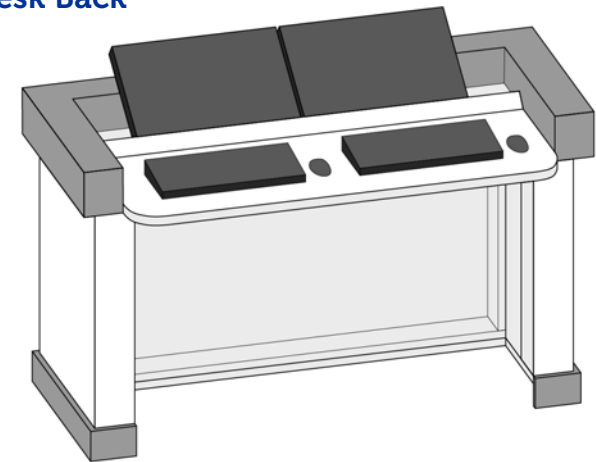
Features

- Room for two standing or on stools
- Cord pass throughs
- Comes with locking Casters

Add-Ons

- Mounted 50" LED smart TV with HDMI and USB ports to easily add video, motion graphics, or branding

Desk Back



*customers provide their own computer equipment, illustrations shown are for demonstration purposes

Additional Examples



Standard Weather Desk

The Weather Desk is the perfect solution for clients seeking a versatile command center. The talent-side workstation has cord pass throughs and room for two monitors.

*computer equipment shown in photos is for demonstration purposes only, customers provide their own equipment

\$7,155 with freight

Additional Examples



Monitor Weather Desk

The addition of a smart TV to your desk is a powerful tool for displaying dynamic graphics or media on set. While useful for weather reporting, its adaptability is perfect for other types of broadcasts. The face-mount TV elevates your on-air presentations and provides visual interest to keep your viewers informed and engaged.

Options:

- 50" Face-Mount LED Smart TV

*computer equipment shown in photos is for demonstration purposes only, customers provide their own equipment

\$8,211 with freight



TVsetdesigns.com LLC
 808 Tuckaseegee Road
 Charlotte, NC 28208-4435

Voice:704-339-0785 Fax:704-339-0545
 support@tvsetdesigns.com

Quote

Date	Estimate #
1/1/2024	DWthrTV24

Billing Company Name / Address:

EXAMPLE QUOTE ONLY
DO NOT SUBMIT A P.O.
ALL QUOTES ARE JOB SPECIFIC



Customer Phone	Customer E-mail	Terms	PO Number
	support@tvsetdesigns.com		

Description	Qty	Rate	U/M	Total
Project to build a Weather Desk with face monitor				
Weather Desk 36"D x 68"W x 42"H, Wood/Laminate construction, workstation top, locking castors (workstation equipment not included)	1	6,198.00	ea	6,198.00
Monitor 50" 4K Smart TV, wall mount, and install on desk face	1	1,056.00	ea	1,056.00
Ship Weather Desk with Crating - Approx 76"L X 36"W X 48"H 400 lbs via LTL furniture class freight **Client provides unloading and install labor	1	957.00	ea	957.00
Quotes for installation or dedicated truck delivery are available upon request				
Typical production time for this project is 6-8 weeks. Construction does not begin until payment has been received, all design decisions have been approved, and finishes have been selected				
Payment terms: 100% Deposit Due to start construction In lieu of deposit payments, POs are accepted only from state or federal school districts, collegiate/university institutions, and U.S. government organizations				
Please note that sales tax may be added at the time of invoicing. If we do not receive the appropriate exemption or resale certificate, we must charge tax in certain states Total sales tax calculated by AvaTax		0.00		0.00

This pricing will be honored until the end of the calendar year that the quote was issued. All freight is LTL service and the client is responsible for unloading and installation unless otherwise indicated above. Image use rights are the responsibility of the end user.			Total	\$8,211.00
---	--	--	--------------	-------------------