






Standing Desk



 (704) 339-0785

 support@tvsetdesigns.com

 [@tvsetdesigns](https://twitter.com/tvsetdesigns)

 [/tvsetdesigns](https://facebook.com/tvsetdesigns)

 [#tvsetdesigns](https://instagram.com/tvsetdesigns)

 808 Tuckaseegee Road, Charlotte, NC 28208

Standing Desk

The Standing News Desk with a sleek 1" acrylic top, comes with your choice of laminate for the body. A height adjustable option allows speakers of all heights to stand up and be heard. Whether you call it a podium or lectern, the Standing Desk has a straightforward news desk flare.



Choose Your Height

An optional electric linear actuator adjusts the desk height with the press of a button. With a range between 34" and 53" high, you can customize the height to fit your presenter or need.



Lowest Height - 34"

Ideal fit for a 4'2" individual



Standard Height - 46"

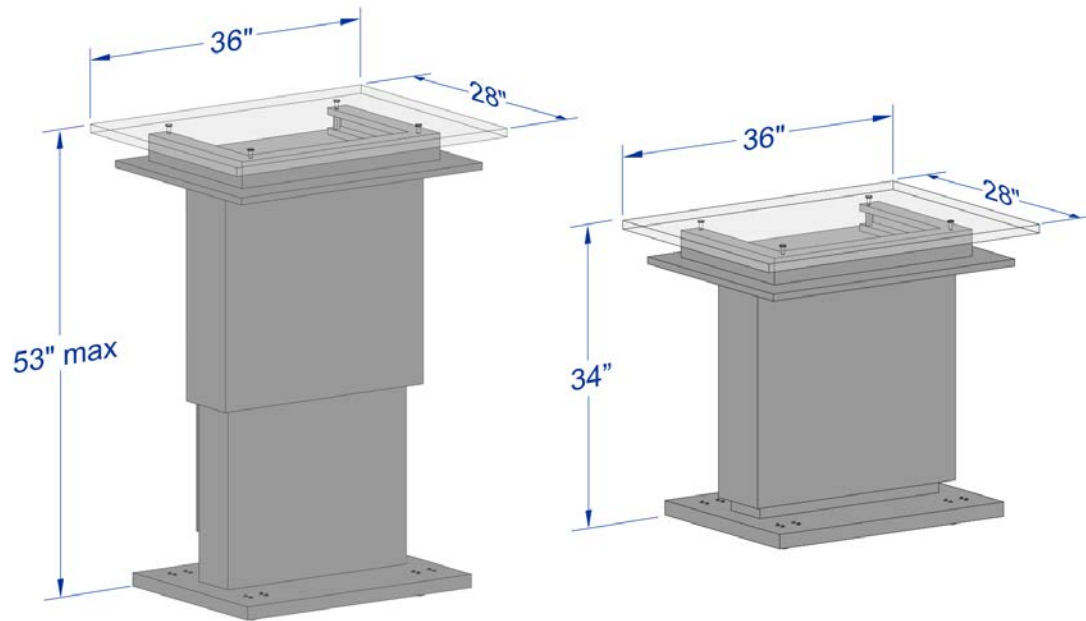
Ideal fit for a 5'7" individual



Tallest Height - 53"

Ideal fit for a 6'6" individual

Standing Desk Specifications



Assembled Footprint: 36"L x 28"W

Desk Weight: 200 pounds

Crate Dimensions: 40"L x 32"W x 40"H

Crate Weight: 580 pounds

Features

- 1" thick acrylic top
- Shelf below top for hiding prompts from view
- Small hidden shelf behind the desk, great for for hiding unsightly electronic components
- Comes with locking casters
- Thousands of laminate finish options
- Optional push-button electric height adjustment

Desk Back



Standing Desk

The desk body comes with your choice of laminates, while the desk face is perfect for adding your branding with a logo or graphics.

Finishes:

- Limber Maple by Wilsonart body
- Dolphin Grey by StarBoard

Get this desk without height adjustment for \$7,898 with freight.





TVsetdesigns.com LLC
 808 Tuckaseegee Road
 Charlotte, NC 28208-4435

Voice:704-339-0785 Fax:704-339-0545
 support@tvsetdesigns.com

Quote

Date	Estimate #
1/1/2024	DStngAdj24

Billing Company Name / Address:

EXAMPLE QUOTE ONLY
 DO NOT SUBMIT A P.O.
 ALL QUOTES ARE JOB SPECIFIC



Customer Phone	Customer E-mail	Terms	PO Number
	support@tvsetdesigns.com		

Description	Qty	Rate	U/M	Total
Project to build a height adjustable Standing Desk				
Standing Desk, 28" x 36" 1" thick clear acrylic top, fixed height between 34" & 48", steel and laminate pedestal base, castors and locks, approx 200 pounds	1	7,369.00	ea	7,369.00
Linear Actuator for Standing Desk, 34"-48" height adjustment, electronic control, tracking and switch, install in desk base	1	1,183.00	ea	1,183.00
Ship Standing Desk with Crating - Approx 40"L X 32"W X 40"H 500 lbs via LTL furniture class freight **Client provides unloading and install labor Quotes for installation or dedicated truck delivery are available upon request	1	529.00	ea	529.00
Typical production time for this project is 6-8 weeks. Construction does not begin until payment has been received, all design decisions have been approved, and finishes have been selected				
Payment terms: 100% Deposit Due to start construction In lieu of deposit payments, POs are accepted only from state or federal school districts, collegiate/university institutions, and U.S. government organizations				
Please note that sales tax may be added at the time of invoicing. If we do not receive the appropriate exemption or resale certificate, we must charge tax in certain states Total sales tax calculated by AvaTax		0.00		0.00

<p>This pricing will be honored until the end of the calendar year that the quote was issued. All freight is LTL service and the client is responsible for unloading and installation unless otherwise indicated above. Image use rights are the responsibility of the end user.</p>	Total	\$9,081.00
--	-------	------------

Additional Examples



Standing Desk

The front of the desk is perfect for showing off your company branding, graphics, or just rich colors.

Finishes:

- Tendu by Nevamar body
- Silver Alu Metalx by Nevamar
- Black by King Starboard

Options:

- Push-Button Height Adjustment
- Custom Mounted Graphic Fixed **\$8,512** with freight
Adjustable **\$9,695** with freight

Standing Desk

The front of this desk also looks great with a plain front.

Finishes:

- Sunray by Panolam body
- Slate Grey by King StarBoard

Options:

- Push-Button Height Adjustment

Fixed **\$7,898** with freight
Adjustable **\$9,081** with freight



Additional Examples



Slanted Podium Topper

The addition of our angled podium topper raises your papers or tablet to deliver a commanding performance when reading from a script or press release. It also adds a second shelf for hiding extra notes or small electronic devices. Add a logo to the topper or desk face.

Finishes:

- Tendu by Panolam body
- Silver Alu Metalx by Nevamar
- Black by King Starboard

Options:

- Push-Button Height Adjustment
- Angled Podium Topper
- Custom Vinyl Graphic

Fixed **\$9,114** with freight

Adjustable **\$10,297** with freight