




Sharp News Desk




 (704) 339-0785

 support@tvsetdesigns.com

 [@tvsetdesigns](https://twitter.com/tvsetdesigns)

 [/tvsetdesigns](https://facebook.com/tvsetdesigns)

 [#tvsetdesigns](https://instagram.com/tvsetdesigns)

 808 Tuckaseegee Road, Charlotte, NC 28208

Sharp News Desk

The Sharp News Desk's large sweeping curve looks fantastic with just a single presenter or seating a panel of up to seven people.

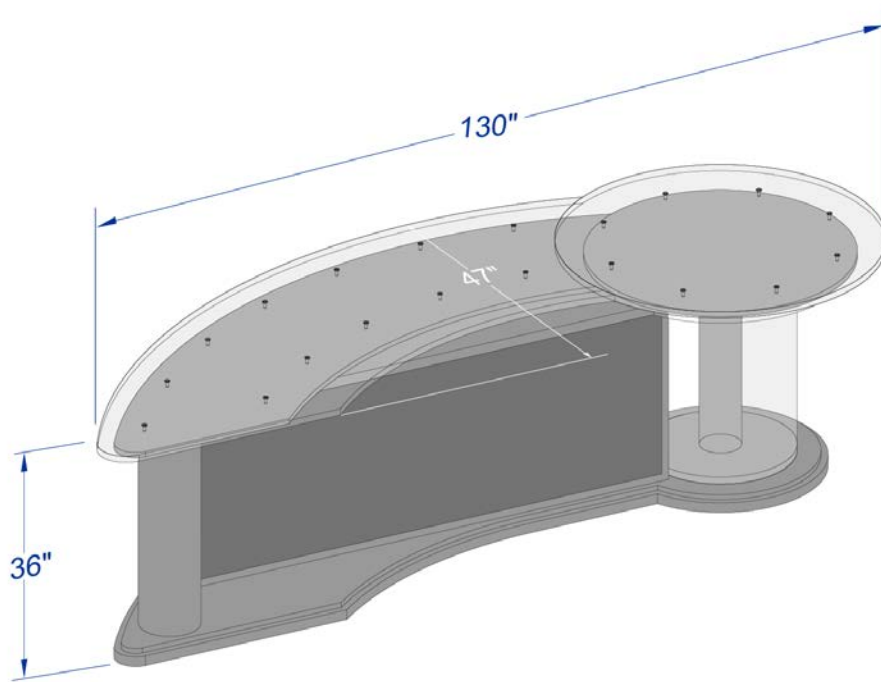


Two Uses in One

The Sharp News Desk is a transformer with a round table hidden inside. Both sections of the desk are on locking casters. Easily detach the long, curved section, and the round section stands alone making a small desk for one or two presenters.



Sharp News Desk Specifications



Assembled Footprint: 130" W x 47" D

Desk Weight: 550 pounds

Sharp News Desk Ships in Two Crates

Main Desk Crate Dimensions: 110"L x 44"W x 44"H	Main Desk Crate Weight: 600 pounds
Round Table Crate Dimensions: 51"L x 51"W x 44"H	Round Table Crate Weight: 425 pounds

Features

- Our largest desk - seats up 7 people
- Comes with locking casters
- RGBW LED lit column and round top are a stand-alone table
- DMX lighting compatible with your studio's controls
- Multi-channel controller to adjust thousands of colors
- Multiple RGBW lightbox options available
- Add one 50" monitor or two 43" monitors to the front of the desk to show your graphics

Desk Back



Single Monitor Model

A large 50" Smart monitor allows you to display images or videos with a HDMI or USB drive.





TVsetdesigns.com LLC
 808 Tuckaseegee Road
 Charlotte, NC 28208-4435

Voice:704-339-0785 Fax:704-339-0545
 support@tvsetdesigns.com

Quote

Date	Estimate #
1/1/2024	DShrp1Mon24

Billing Company Name / Address:

EXAMPLE QUOTE ONLY
 DO NOT SUBMIT A P.O.
 ALL QUOTES ARE JOB SPECIFIC

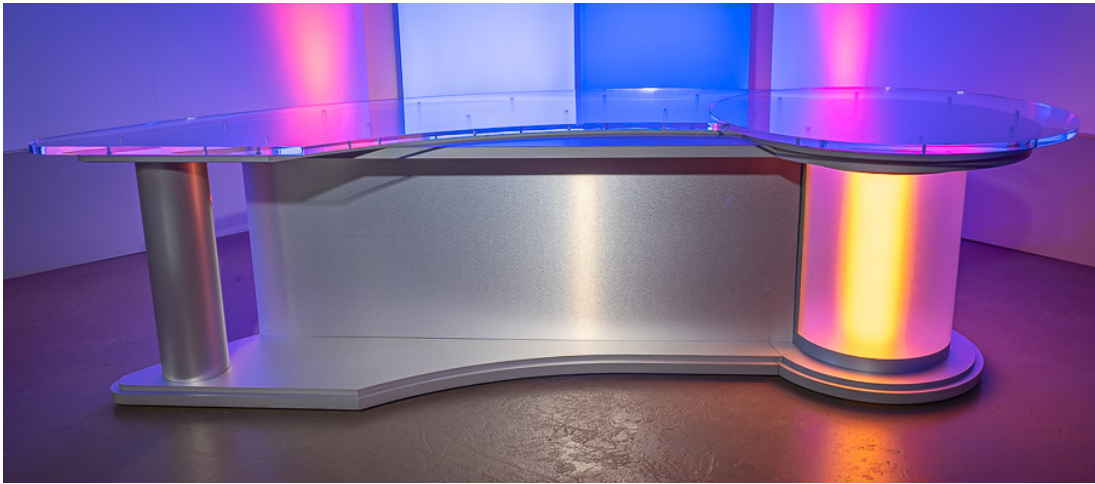


Customer Phone	Customer E-mail	Terms	PO Number
	support@tvsetdesigns.com		

Description	Qty	Rate	U/M	Total
Project to build a Sharp Desk with a face monitor				
Sharp Desk, 130"W x 47"D x 36"H, breaks into 2 pieces, 1" thick clear acrylic top, RGBW lit support leg, multi-channel controller, locking castors - space to mount one 50" monitor OR two 43" monitors (monitors not included), approx 550 pounds	1	16,493.00	ea	16,493.00
Monitor 50" 4K Smart TV, wall mount, and install on desk face	1	1,056.00	ea	1,056.00
Ship Sharp Desk on skid - Approx 133"L x 48"W x 36"H 858 lbs via LTL furniture class freight	1	1,306.00	ea	1,306.00
**Client provides unloading and install labor Quotes for installation or dedicated truck delivery are available upon request				
Typical production time for this project is 6-8 weeks. Construction does not begin until payment has been received, all design decisions have been approved, and finishes have been selected				
Payment terms: 100% Deposit Due to start construction In lieu of deposit payments, POs are accepted only from state or federal school districts, collegiate/university institutions, and U.S. government organizations				
Please note that sales tax may be added at the time of invoicing. If we do not receive the appropriate exemption or resale certificate, we must charge tax in certain states Total sales tax calculated by AvaTax		0.00		0.00

This pricing will be honored until the end of the calendar year that the quote was issued. All freight is LTL service and the client is responsible for unloading and installation unless otherwise indicated above. Image use rights are the responsibility of the end user.			Total	\$18,855.00
---	--	--	--------------	--------------------

Additional Examples



Sharp News Desk - Base Model

The Sharp News Desk seats one presenter up to a panel of seven. The desk with its two part design is a transformer with its integrated round table. Both sections of the desk are on locking casters and can be easily detached so the round section can stand alone creating a small table for one or two presenters.

\$17,999 with freight

Sharp News Desk - Double Monitor

Double your display space by adding two, 43" Smart monitors with HDMI and USB drives. This option includes micro-levelling monitor mounts to keep your displays aligned.

Options:

- Two 43" LED Monitors
- Video Wall Controller syncs images across monitors

\$20,192 with freight



Additional Examples



Sharp News Desk - RGBW Backlit Logo

Back lit center graphic on a 3/8" sheet of plexiglass with white diffusing film raised with stainless steel pucks. RGBW color changing lights to back light with a halo.

\$22,683 with freight

