





Round Table



 (704) 339-0785

 support@tvsetdesigns.com

 @tvsetdesigns

 /tvsetdesigns

 #tvsetdesigns

 808 Tuckaseegee Road, Charlotte, NC 28208

Round Table

The Round Table News Desk is perfect for one-on-one or small panel discussions. Available with a 48" or 60" diameter top, it can seat four to five people. This 48" model showcases an inset engraved logo with dual-zone RGBW lighting to light the logo and edge different colors. As pictured this table is \$13,508 with freight.



Choose Your Height

An optional linear actuator for the 48" model adjusts the table height with the press of a button. With a range between 32" and 48" high, you can customize the height to fit your broadcast. The 60" model is available at a fixed height between 32" and 42" high.



Standard Height 32"

The height of your standard dining table.



Counter Height 36"

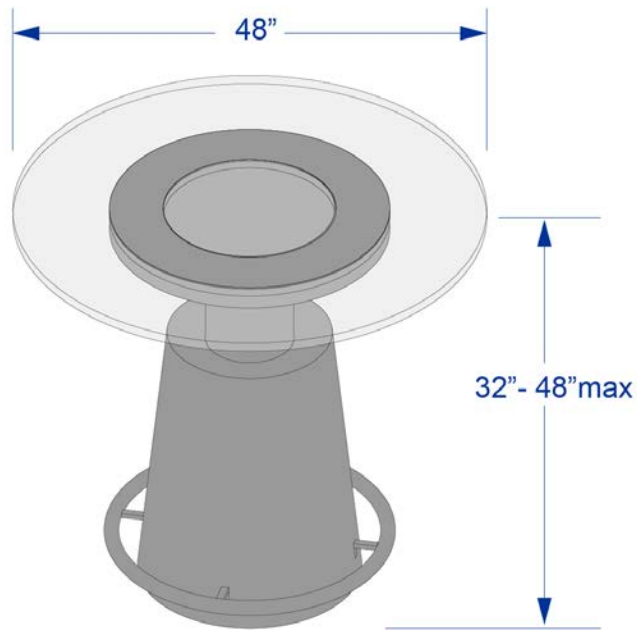
The height of a standard kitchen counter.



Extra Tall 48"

An extra tall bar height.

Round Table Specifications



*60" model has a maximum height of 42"

Assembled Footprint: 48"D or 60"D

48" Crate Dimensions: 52"L x 52"W x 56"H

60" Crate Dimensions: 64"L x 64"W x 56"H

Desk Weight: 275 pounds

Crate Weight: 360 pounds

Crate Weight: 440 pounds

Features

- 48" round seats 4 people and 60" round seats 5 people
- 1" thick acrylic top
- Choice of laminate finishes on the base
- Comes with locking casters and steel foot rest
- Optional dual-zone RGBW LED tabletop lighting
- Multi-channel controller to adjust thousands of colors
- DMX lighting compatible with your studio's controls
- Optional linear actuator to adjust the height (only available with 48" Round Table)

Rendering



Cover Model

This 60" round table features dual-zone RGBW LED lighting and an inset etched acrylic logo. As pictured this table is \$14,066 with freight.





TVsetdesigns.com LLC
 808 Tuckaseegee Road
 Charlotte, NC 28208-4435

Voice:704-339-0785 Fax:704-339-0545
 support@tvsetdesigns.com

Quote

Date	Estimate #
1/1/2024	DRnd60Lit23

Billing Company Name / Address:

EXAMPLE QUOTE ONLY
 DO NOT SUBMIT A P.O.
 ALL QUOTES ARE JOB SPECIFIC



Customer Phone	Customer E-mail	Terms	PO Number
	support@tvsetdesigns.com		

Description	Qty	Rate	U/M	Total
Project to build a 60" Round Table Desk with dual-zone edge lighting and graphic				
Round Table Desk 60" diameter 1" thick clear acrylic top, fixed height 32" - 42" (not adjustable), laminate pedestal base, steel foot rest, castors and stoppers, approx 275 pounds	1	8,124.00	ea	8,124.00
Round Table Desk Graphics, etched/cut into the 1" acrylic top, cut out, or printed and applied - Includes renderings with up to 2 revisions	1	1,543.00	ea	1,543.00
Edge Lighting with dual-zones for 1" acrylic top Round, Large Elliptic, or Large Oval desks, RGBW LED tape, with power supply, DMX driver, ACM light source cover, and install	1	3,227.00	ea	3,227.00
Multi-channel DMX Controller	1	337.00	ea	337.00
Ship 60" Round Table Desk - Approx 64"L X 64"W x 56"H 440 lbs via LTL furniture class freight	1	1,249.00	ea	1,249.00
**Client provides unloading and install labor Quotes for installation or dedicated truck delivery are available upon request				
Typical production time for this project is 6-8 weeks. Construction does not begin until payment has been received, all design decisions have been approved, and finishes have been selected				
Payment terms: 100% Deposit Due to start construction In lieu of deposit payments, POs are accepted only from state or federal school districts, collegiate/university institutions, and U.S. government organizations Please note that sales tax may be added at the time of invoicing. If we do not receive the appropriate exemption or resale certificate, we must charge tax in certain states Total sales tax calculated by AvaTax		0.00		0.00

<p>This pricing will be honored until the end of the calendar year that the quote was issued. All freight is LTL service and the client is responsible for unloading and installation unless otherwise indicated above. Image use rights are the responsibility of the end user.</p>	Total	\$14,480.00
--	-------	-------------

Additional Examples



Base Model

Our standard model comes with a 1" thick acrylic top and stainless footrest ring. It comes with your choice of laminate for the base.

48" **\$8,606** with freight

60" **\$9,373** with freight

Dual-Zone Tabletop Lighting

Lit brightly with dual-zone RGBW LED tabletop lighting, the inside ring can be set to one color while the outside edge can be set to another. This table comes with a multi-channel DMX controller allowing you to easily adjust each zone.

Options:

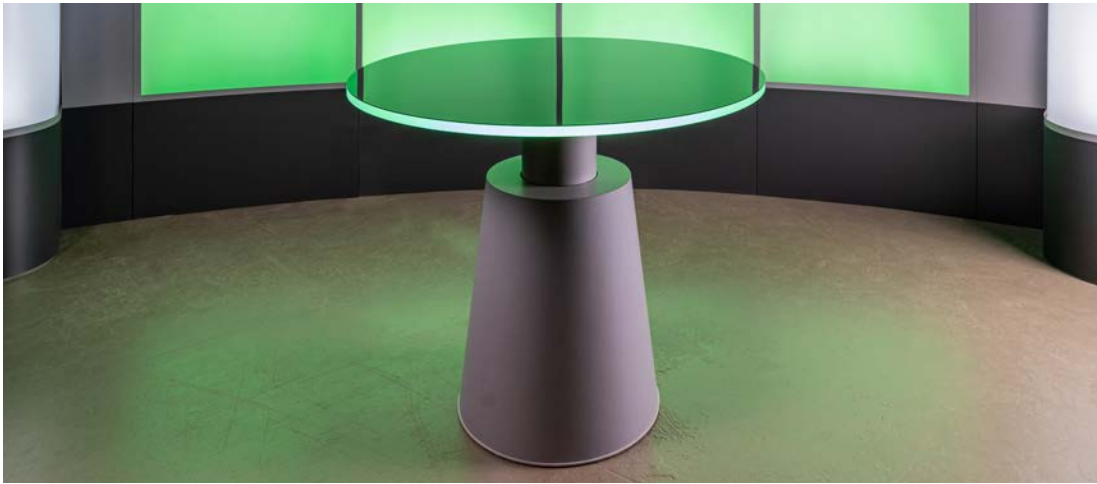
- Dual-Zone Tabletop Lighting

48" **\$11,833** with freight

60" **\$12,600** with freight



Additional Examples



Removable Black Plexi Top

A removable 1/8" black plexi top gives your desk a sleek black finish while highlighting the edge lighting. It protects the clear acrylic top from damage and hides items and legs below the tabletop from view.

Options:

- Single-Zone Edge Lighting
- Removable Black Plexi Overlay

48" **\$10,341** with freight

60" **\$11,108** with freight

Removable Black Fabric Top

A removable 1/8" black fabric top eliminates glare for use with greenscreens and highlights the edge lighting. It protects the acrylic top from damage and hides items and legs below the tabletop from view.

Options:

- Single-Zone Edge Lighting
- Removable Black Fabric Top

48" **\$10,539** with freight

60" **\$11,306** with freight



Additional Examples



Etched Acrylic Graphic

Light up your branding with an etched acrylic graphic. With dual-zone RGBW LED lighting, the inside ring can be set to one color while the outside edge can be set to another. Both zones can be adjusted to all the colors of the rainbow.

Options:

- Dual-Zone Tabletop Lighting
- Center Graphic

48" **\$13,376** with freight

60" **\$14,143** with freight

Black Plexi Graphic Disk

Capture more saturated colors from your LED-lit, etched graphic by adding a removable black plexi disc to the center.

Options:

- Dual-Zone Tabletop Lighting
- Center Graphic

48" **\$13,376** with freight

60" **\$14,143** with freight



Additional Examples



Printed Graphic Disk

Some graphics are too detailed or complex to etch, but they still deserve to shine. This example shows printed and cut vinyl applied to a milky acrylic and backlit with RGBW LED lighting. Our designers work with you to find a solution that works best for your graphic.

Options:

- Dual-Zone Tabletop Lighting
- Center Graphic

48" **\$13,376** with freight

60" **\$14,143** with freight

Adjustable Height

Available only with the 48" Round Table, a linear actuator adjusts the table height with the press of a button. With a range between 32" and 48" high, you can customize the height to fit your panelists and broadcast look.

Options:

- Dual-Zone Tabletop Lighting
- Electric Adjustable Height

48" **\$13,016** with freight

