





Rental Monolith Desk


With Monitor and RGBW Endcaps




 (704) 339-0785

 support@tvsetdesigns.com

 [@tvsetdesigns](https://twitter.com/tvsetdesigns)

 [/tvsetdesigns](https://facebook.com/tvsetdesigns)

 [#tvsetdesigns](https://instagram.com/tvsetdesigns)

 808 Tuckaseegee Road, Charlotte, NC 28208

Rental Monolith Desk

This versatile desk is easy to adjust for use with multiple brands or programs. RGBW LED lights allow the endcaps to be lit in thousands of colors, while the 50" Smart TV makes it easy to change graphics.

Available in two sizes. Pick the right one for your event and studio. Either size rental is the same cost: \$2,520 for 2-weeks plus shipping. Check out the last page for a sample quote.



Large Top Monolith Desk

The large top Monolith Desk seats up to 6 people.



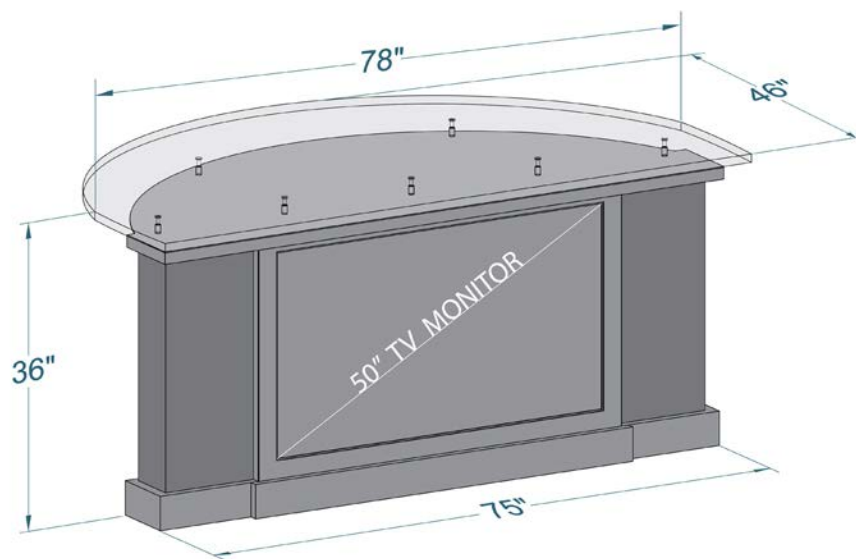
Small Top Monolith Desk

The small top Monolith Desk seats up to 4 people.



Rental Monolith Desk Specifications

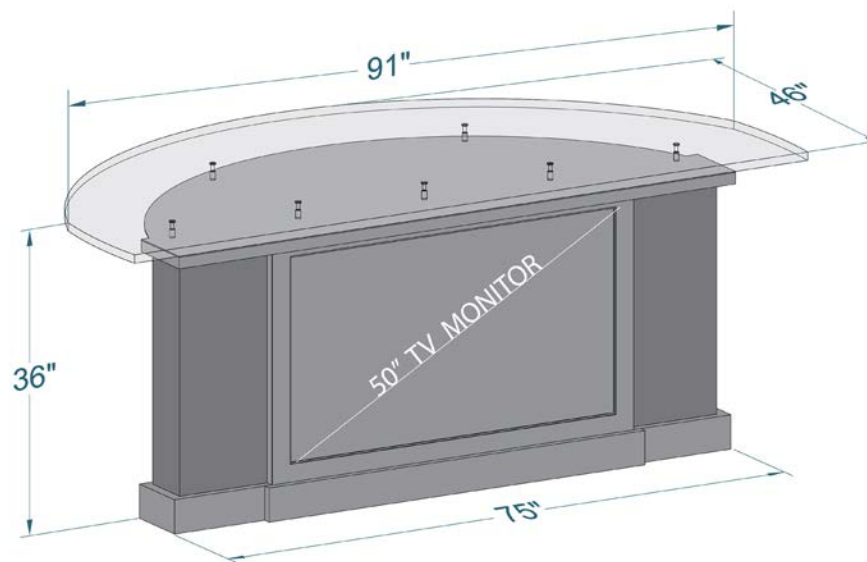
Small Top Monolith Desk



Weight: 362 pounds
Footprint: 78" W x 46" D

Crate Weight: 500 pounds
Crate Dimensions: 97"L x 24"W x 54"H

Large Top Monolith Desk



Weight: 391 pounds
Footprint: 91" W x 46" D

Crate Weight: 600 pounds
Crate Dimensions: 97"L x 24"W x 54"H

Rental Monolith Desk Features

Large Top Model



Features

- Large or small top available for the same price
- Small top seats 4 people
- Large top seats up to 6 people
- Comes with locking casters
- Built in 50" Smart TV with HDMI and USB ports
- Easily add video, motion graphics or branding
- RGBW LED lighted endcaps
- Multi-channel controller to adjust thousands of colors
- DMX lighting compatible with your studio's controls

Desk Back



One Desk, Thousands of Colors

This versatile desk can be quickly adjusted for use with multiple brands or programs. RGBW LED lights allow this desk to be lit in thousands of colors, while the 50" Smart TV makes it easy to change logos or graphics.



Add-Ons

Removable Tops

Removable 1/8" Black Fabric Top

\$225 (2-week period)

- reduces glare
- a must have for use with green screens



Removable 1/8" Black Plexi Overlay

\$146 (2-week period)

- sleek black finish
- dresses up the Monolith desk



Rental Chairs

Modern White Stool

\$145 each (2-week period)

- adjustable height
- low open back

Black Task Chair

\$252 each (2-week period)

- adjustable height
- supportive mesh back
- wheeled base



How Do Rentals Work?

Frequently Asked Questions

How much does it cost to rent?

A Monolith Desk Rental is \$2,520 for 2-weeks. The 2-week rental period is exclusive of shipping and includes the 2-weeks from the date that the item(s) are delivered to the client, to the date they are picked up to be returned to TVSetDesigns.com.

Can I rent a Monolith with other features?

No. Our rental Monolith desks are available with either a large or small top and feature RGBW lit columns with a 50" monitor. You may rent a 1/8" black fabric or 1/8" black plexiglas overlay top for an additional charge. We do not rent Monolith desks with other features such as lightbox, laminate top, or edge lighting.

How much does shipping cost?

Shipping is custom quoted according to a number of factors including distance, timing, and destination logistics. Basic truck shipping in a large crate is \$2,280 round trip. However, if you need delivery on a specific date or lack a loading dock we work with you to find the best option.

Does the desk come fully assembled?

No. Some assembly is required. How much depends on how the desk is shipped, which is determined by the specific needs of the delivery and pickup.

What if I only need the desk for a few days?

All rentals have a 2-week minimum. This is due to the time it takes to arrange shipping, crate items, or re-crate after returns. You are welcome to return your rental before the end of the 2-week period, but there is no discount or refund for shorter rentals.

Can I have the rental delivered on a specific day?

Yes. With enough advance notice, we can arrange delivery and pick up for specific dates. Our team can plan for this when making your custom shipping quote.

Why do I need a Certificate of Insurance?

A Certificate of Insurance protects everyone in the event that the desk gets damaged while you have it, or never gets sent back. Your insurance company will be familiar with the procedure for this.



Rental Terms

Rental Agreement

Payment of a rental fee acknowledges receipt of and agreement to the following rental terms:

TVSetDesigns.com has a base 2-week rental period. This rental period is exclusive of shipping, and includes the 2-weeks from the date that the item(s) are delivered to the client to the date it/they are picked up to be returned to TVSetDesigns.com.

Please be aware that Rentals require a 100% deposit before shipment. Rentals are on a first come, first serve basis, and we can't reserve rental items until the deposit has been paid.

We will collect a Refundable Rental Security Deposit. This Security Deposit and any associated tax will be refunded once the item(s) have been returned undamaged and on time per the Rental Terms below.

We require a Certificate of Insurance (COI) made out to:

TVSetDesigns.com LLC

808 Tuckaseegee Rd

Charlotte, NC 28208

We require a minimum of \$1,000,000 of coverage for General Liability - Each Occurrence

To prevent any confusion about the condition of the item(s) upon arrival or when returned, both TVSetDesigns.com and the client will inspect and take photos before and after crating. These photos will serve as time stamps documenting any damage that was present at the time of shipping or when received at either end.

When the rental is received, please inspect the item(s) and check that everything is in working order at the time of delivery. We ask that you inform TVSetDesigns.com immediately of any damage that is found at the time of unpacking. If we are not alerted, it will be assumed that the damage happened while the item(s) were in your possession.

We know that things happen on a set, so please alert us to any mishaps. Some things may not warrant a repair fee, especially if you let us know of any damage before the item(s) are returned.

Repairs of damage incurred during a rental will be charged at \$112.00 per hour plus materials.

If a rental item is not returned by the date above and no other arrangements have been made to extend the rental, the full replacement cost of the item will be charged in addition to the rental fee and no return shipping charges will be refunded.

Thank you for renting from TVSetDesigns.com!





TVsetdesigns.com LLC
 808 Tuckaseegee Road
 Charlotte, NC 28208-4435

Voice:704-339-0785 Fax:704-339-0545
 support@tvsetdesigns.com

Quote

Date	Estimate #
1/1/2024	RntMonoth24

Billing Company Name / Address:

EXAMPLE QUOTE ONLY
DO NOT SUBMIT A P.O.
ALL QUOTES ARE JOB SPECIFIC



Customer Phone	Customer E-mail	Terms	PO Number
	support@tvsetdesigns.com		

Description	Qty	Rate	U/M	Total
Project to rent a Monolith Desk for up to 2 weeks (no rentals outside the continental US)				
Rent Monolith Desk, 50" Monitor, RGBW columns, 1" thick clear acrylic top 91"W X 46"D OR small 78"W X 46"D, 36" tall, locking castors, DMX multi-channel controller Rental for 1 day up to 2 weeks, weight 362/391 pounds Replacement Value \$13,839	1	2,520.00	2wks	2,520.00
Refundable Rental Security Deposit - Security Deposit and any associated tax will be refunded once the item(s) have been returned undamaged and on time per the Rental Terms below	1	2,500.00	ea	2,500.00
Ship Rental Monolith Desk Round Trip with Crating - 98"L X 24"W X 54"H 600 lbs via LTL furniture class freight **Client provides unloading and install labor	1	2,280.00	ea	2,280.00
NOTE: This charge is for delivery in a large crate within a range of days. If delivery must happen on a specific date or if you cannot receive a large crate, there may be an additional charge				
Freight to/from hotels and convention centers require custom quoting and may incur additional charges				
Assembly may be required, which is the responsibility of the client				
The client is responsible for repacking and securing the item (s) in the original containers for return shipment				

This pricing will be honored until the end of the calendar year that the quote was issued. All freight is LTL service and the client is responsible for unloading and installation unless otherwise indicated above. Image use rights are the responsibility of the end user.	Total
---	--------------



TVsetdesigns.com LLC
 808 Tuckaseegee Road
 Charlotte, NC 28208-4435

Voice:704-339-0785 Fax:704-339-0545
 support@tvsetdesigns.com

Quote

Date	Estimate #
1/1/2024	RntMonoth24

Billing Company Name / Address:

EXAMPLE QUOTE ONLY
DO NOT SUBMIT A P.O.
ALL QUOTES ARE JOB SPECIFIC



Customer Phone	Customer E-mail	Terms	PO Number
	support@tvsetdesigns.com		

Description	Qty	Rate	U/M	Total
<p>The provided return shipping labels must be applied to the crate and the return BOL must be given to the truck driver</p> <p>Special drop off and/or pick up times will cost extra</p> <p>Payment Terms: Rentals require a 100% deposit before shipment. Rentals are on a first come, first serve basis, and we can't reserve rental items until the deposit has been paid</p> <p>RENTAL TERMS: Payment of a rental fee acknowledges receipt of and agreement to the following rental terms:</p> <p>TVSetDesigns.com has a base 2-week rental period. This rental period is exclusive of shipping, and includes the 2-weeks from the date that the item(s) are delivered to the client to the date it/they are picked up to be returned to TVSetDesigns.com.</p> <p>Please provide a Certificate of Insurance (COI) made out to: TVSetDesigns.com LLC 808 Tuckaseegee Rd Charlotte, NC 28208 We require a minimum of \$1,000,000 of coverage for General Liability - Each Occurrence</p> <p>To prevent any confusion about the condition of the item(s) upon arrival or when returned, both TVSetDesigns.com and the client will inspect and take photos before and after crating. These photos will serve as time stamps documenting any damage that was present at the time of shipping or when received at either end.</p>				

<p>This pricing will be honored until the end of the calendar year that the quote was issued. All freight is LTL service and the client is responsible for unloading and installation unless otherwise indicated above. Image use rights are the responsibility of the end user.</p>	Total
--	--------------



TVsetdesigns.com LLC
 808 Tuckaseegee Road
 Charlotte, NC 28208-4435

Voice:704-339-0785 Fax:704-339-0545
 support@tvsetdesigns.com

Quote

Date	Estimate #
1/1/2024	RntMonoth24

Billing Company Name / Address:

EXAMPLE QUOTE ONLY
DO NOT SUBMIT A P.O.
ALL QUOTES ARE JOB SPECIFIC



Customer Phone	Customer E-mail	Terms	PO Number
	support@tvsetdesigns.com		

Description	Qty	Rate	U/M	Total
<p>Please inspect the item(s) and check that everything is in working order at the time of delivery. We ask that you inform TVSetDesigns.com immediately of any damage that is found at the time of unpacking. If we are not alerted, it will be assumed that the damage happened while the item(s) were in your possession.</p> <p>We know that things happen on a set, so please alert us to any mishaps. Some things may not warrant a repair fee, especially if you let us know of any damage before the item(s) are returned.</p> <p>Repairs of damage incurred during a rental will be charged at \$112.00 per hour plus materials.</p> <p>If a rental item is not returned by the date above and no other arrangements have been made to extend the rental, the full replacement cost of the item will be charged in addition to the rental fee and no return shipping charges will be refunded</p> <p>Thank you for renting from TVSetDesigns.com!</p> <p>Please note that sales tax may be added at the time of invoicing. If we do not receive the appropriate exemption or resale certificate for the state where the item(s) are shipping, we must charge tax in certain states</p> <p>Total sales tax calculated by AvaTax</p>				
		0.00		0.00

This pricing will be honored until the end of the calendar year that the quote was issued. All freight is LTL service and the client is responsible for unloading and installation unless otherwise indicated above. Image use rights are the responsibility of the end user.	Total		\$7,300.00
---	--------------	--	-------------------