





Monolith Desk

With Monitor and RGB Endcaps




 (704) 339-0785

 support@tvsetdesigns.com

 [@tvsetdesigns](https://twitter.com/tvsetdesigns)

 [/tvsetdesigns](https://facebook.com/tvsetdesigns)

 [#tvsetdesigns](https://instagram.com/tvsetdesigns)

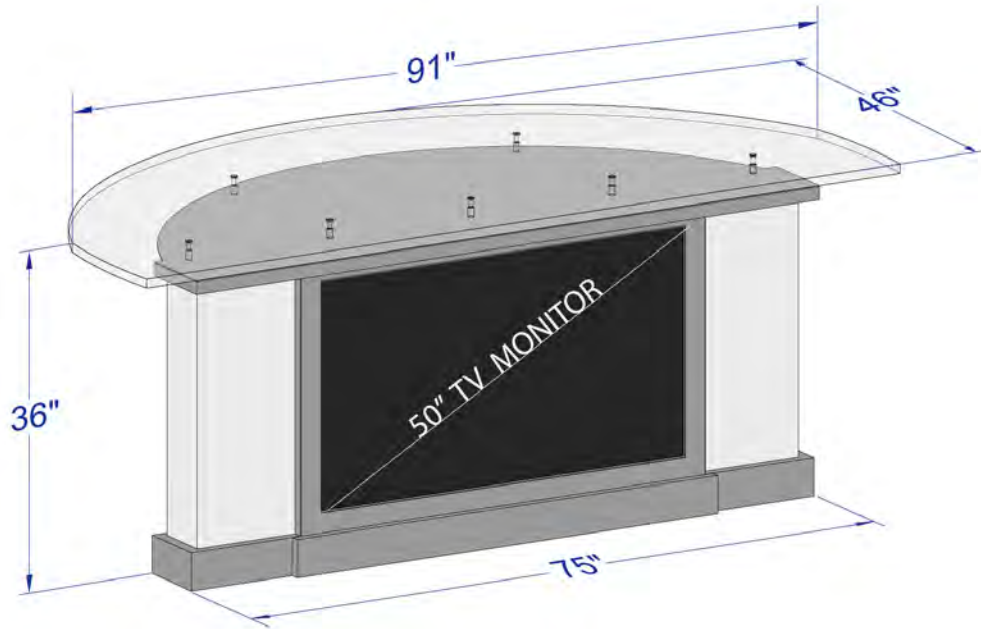
 808 Tuckaseegee Road, Charlotte, NC 28208

Monolith Desk with a Monitor and Endcaps

Available with a small or large top. Pick the right size for your studio. Either size costs the same.



Large Top Monolith Desk Specifications



Weight: 391 pounds

Footprint: 46"D x 91"W

Crate Weight: 600 pounds

Crate Dimensions: 97"L x 24"W x 54"H

Features

- Large top seats 6 people
- Comes with locking casters
- Modesty panel is standard
- Built in 50" Smart TV with HDMI and USB ports
- Easily add video, motion graphics or branding
- RGBW LED lighted endcaps
- Multi-channel controller to adjust thousands of colors
- DMX lighting compatible with your studio's controls

Desk Back



Large Top Monolith Desk with a Fabric Top

A removable fabric top is used to prevent reflections for studios using a green screen. The top is $\frac{1}{8}$ " thick and is easy to remove and store.





TVsetdesigns.com LLC
 808 Tuckaseegee Road
 Charlotte, NC 28208-4435

Voice:704-339-0785 Fax:704-339-0545
 support@tvsetdesigns.com

Quote

Date	Estimate #
1/1/2024	DMonoStd24

Billing Company Name / Address:

EXAMPLE QUOTE ONLY
DO NOT SUBMIT A P.O.
ALL QUOTES ARE JOB SPECIFIC



Customer Phone	Customer E-mail	Terms	PO Number
	support@tvsetdesigns.com		

Description	Qty	Rate	U/M	Total
Project to build a Standard Monolith Desk with 2 RGBW columns, face mounted monitor, and fabric top				
Standard Monolith Desk, Small 78"W x 46"D x 36"H or Large 91"W x 46"D x 36"H, 1" thick clear acrylic top, 50" Monitor, RGBW LED columns, multi-channel controller, locking castors, approx 362 pounds	1	13,839.00	ea	13,839.00
Fabric Top for Desk, removable, 1/8" styrene sign board base, custom contoured to desk, with fabric glued to board and wrapped around edge	1	561.00	ea	561.00
Ship Monolith Desk with Crating - Approx 98"L X 30"W X 54"H 600 lbs via LTL furniture class freight **Client provides unloading and install labor Quotes for installation or dedicated truck delivery are available upon request	1	905.00	ea	905.00
Typical production time for this project is 6-8 weeks. Construction does not begin until payment has been received, all design decisions have been approved, and finishes have been selected				
Payment terms: 100% Deposit Due to start construction In lieu of deposit payments, POs are accepted only from state or federal school districts, collegiate/university institutions, and U.S. government organizations				
Please note that sales tax may be added at the time of invoicing. If we do not receive the appropriate exemption or resale certificate, we must charge tax in certain states Total sales tax calculated by AvaTax		0.00		0.00

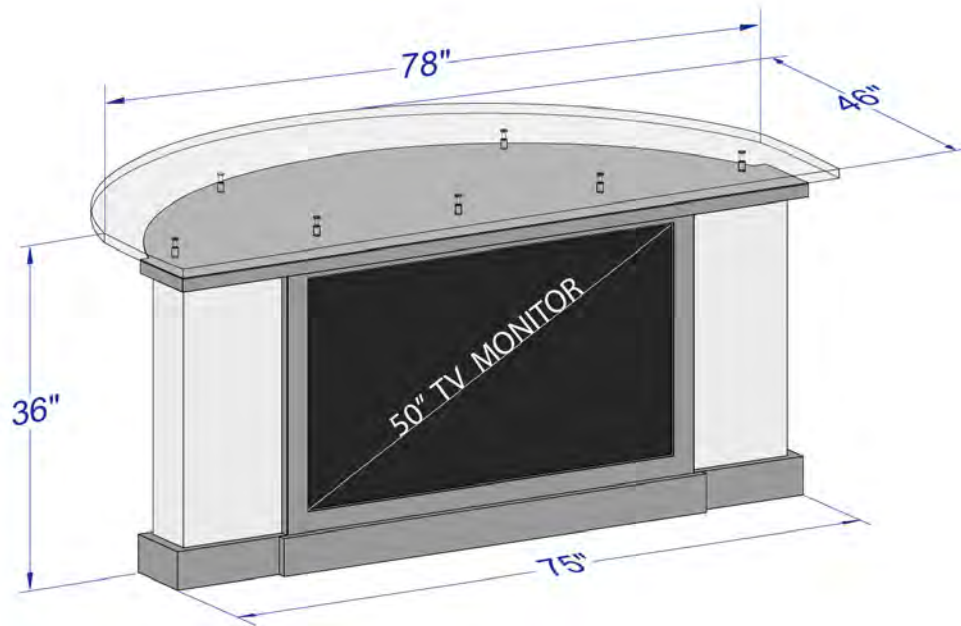
This pricing will be honored until the end of the calendar year that the quote was issued. All freight is LTL service and the client is responsible for unloading and installation unless otherwise indicated above. Image use rights are the responsibility of the end user.			Total	\$15,305.00
---	--	--	--------------	--------------------

Large Top Monolith Desk

The large top Monolith Desk seats up to 6 people.



Small Top Monolith Desk Specifications



Weight: 362 pounds

Footprint: 46" D x 78" W

Crate Weight: 600 pounds

Crate Dimensions: 97"L x 24"W x 54"H

Features

- Small top seats 4 people
- Comes with locking casters
- Modesty panel is standard
- Built in 50" Smart TV with HDMI and USB ports
- Easily add video, motion graphics or branding
- RGBW LED lighted endcaps
- Multi-channel controller to adjust thousands of colors
- DMX lighting compatible with your studio's controls

Desk Back*



*large top pictured here

Small Top Monolith Desk with a Fabric Top

A removable fabric top is used to prevent reflections for studios using a green screen. The top is 1/8" thick and is easy to remove and store.



Small Top Monolith Desk

The small top Monolith Desk seats up to 4 people.



Monolith Desk Add-Ons

One Desk, Thousands of Colors

This versatile desk can be quickly adjusted for use with multiple brands or programs. RGBW LED lights allow this desk to be lit in thousands of colors, while the 50" Smart TV makes it easy to change logos or graphics.



Additional Options

Removable 1/8" black fabric top \$561

- reduces glare
- a must have for use with green screens

Removable 1/8" black plexi overlay \$363

- adds a glossy black finish
- protects clear acrylic top
- can be flipped to use both sides

Monitor Shelf \$875

- holds ipads and notes

Desktop Edge Lighting \$1,372

- includes required black plexi overlay
- embeds RGBW LED lights into acrylic top
- lights the top edge with your pick of thousands of colors

Additional Examples



1
\$16,116 with freight

Options:

Large top

RGBW edge lighting including an 1/8" plexi overlay



2
\$15,107 with freight

Options:

Large top

1/8" plexi overlay



3
\$15,305 with freight

Options:

Small top

Removable 1/8" fabric top



4
\$16,677 with freight

Options:

Large top

RGBW edge lighting including an 1/8" plexi overlay

Removable 1/8" fabric top

Additional Examples



\$15,619 with freight

Options:

Large top

Prompt monitor shelf



\$15,107 with freight

Options:

Large top

1/8" plexi overlay



\$14,744 with freight

Options:

Large top



\$16,116 with freight

Options:

Small top

RGBW edge lighting including an 1/8" plexi overlay