





Monolith Desk

With a Lightbox




 (704) 339-0785

 support@tvsetdesigns.com

 @tvsetdesigns

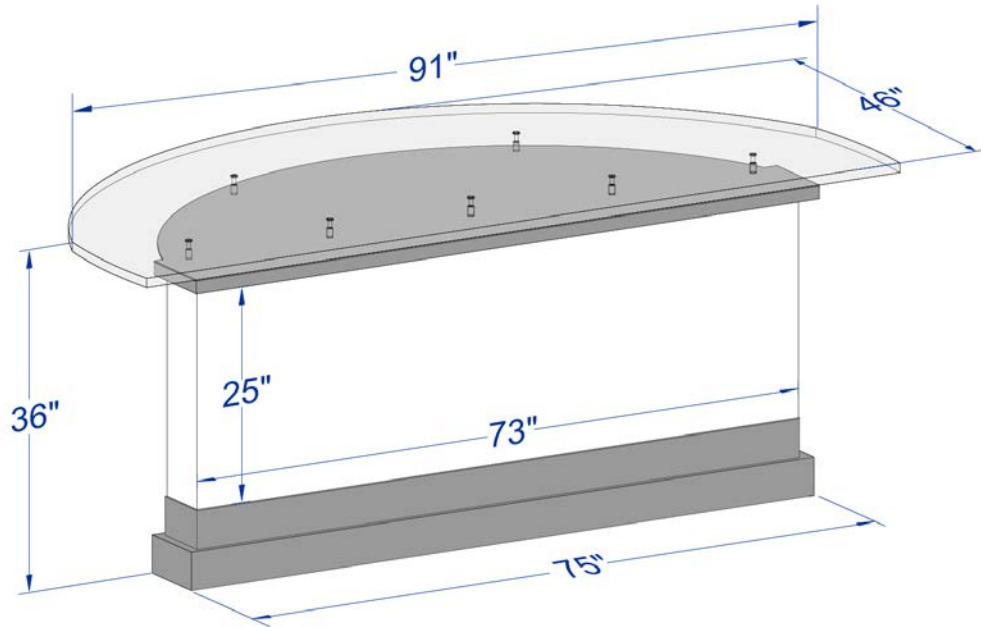
 /tvsetdesigns

 #tvsetdesigns

 808 Tuckaseegee Road, Charlotte, NC 28208

Lightbox Monolith Desk Specifications

Large Top Model



Weight: 391 pounds

Footprint: 46"D x 91"W

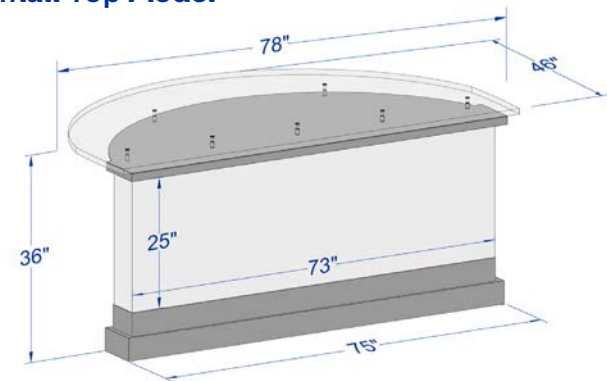
Crate Weight: 600 pounds

Crate Dimensions: 97"L x 24"W x 54"H

Features

- Either a large or small top costs the same
- Small top seats 4 people
- Large top seats up to 6 people
- Comes with locking casters
- Modesty panel is standard
- RGBW LED lightbox
- Graphic face panel can be swapped out
- Multi-channel controller to adjust thousands of colors
- DMX lighting compatible with your studio's controls

Small Top Model



Lightbox Monolith Desk

The Lightbox Monolith Desk features a graphic panel lit with RGBW LED lights capable of thousands of colors.





TVsetdesigns.com LLC
 808 Tuckaseegee Road
 Charlotte, NC 28208-4435

Voice:704-339-0785 Fax:704-339-0545
 support@tvsetdesigns.com

Quote

Date	Estimate #
1/1/2024	DMonLtbxG24

Billing Company Name / Address:

EXAMPLE QUOTE ONLY
DO NOT SUBMIT A P.O.
ALL QUOTES ARE JOB SPECIFIC



Customer Phone	Customer E-mail	Terms	PO Number
	support@tvsetdesigns.com		

Description	Qty	Rate	U/M	Total
Project to build a Monolith Desk with RGBW lightbox and backlit graphic				
Large Monolith Desk, Standard or Flip-Top, 91"W x 46"D x 36"H, 1" thick clear acrylic top, lightbox face, RGBW LED tape, DMX drivers, power supplies, install, multi-channel controller, locking castors, approx 391 pounds	1	13,225.00	ea	13,225.00
Monolith Face Graphic, 27"H x 70"W, outside 1" is hidden by the frame - Includes renderings with up to 2 revisions	1	614.00	ea	614.00
Ship Monolith Desk with Crating - Approx 98"L X 30"W X 54"H 600 lbs via LTL furniture class freight **Client provides unloading and install labor Quotes for installation or dedicated truck delivery are available upon request	1	905.00	ea	905.00
Typical production time for this project is 6-8 weeks. Construction does not begin until payment has been received, all design decisions have been approved, and finishes have been selected				
Payment terms: 100% Deposit Due to start construction In lieu of deposit payments, POs are accepted only from state or federal school districts, collegiate/university institutions, and U.S. government organizations				
Please note that sales tax may be added at the time of invoicing. If we do not receive the appropriate exemption or resale certificate, we must charge tax in certain states Total sales tax calculated by AvaTax		0.00		0.00

This pricing will be honored until the end of the calendar year that the quote was issued. All freight is LTL service and the client is responsible for unloading and installation unless otherwise indicated above. Image use rights are the responsibility of the end user.			Total	\$14,744.00
---	--	--	--------------	--------------------

Additional Examples



\$15,619 with freight

Options:

- Large top
- Graphic face
- Prompt monitor shelf



\$16,116 with freight

Options:

- Large top
- Graphic face
- RGBW edge lighting with 1/8" plexi overlay



\$15,358 with freight

Options:

- Small top
- Graphic face
- Additional graphic to swap out



\$16,677 with freight

Options:

- Large top
- Graphic face
- RGBW edge lighting including 1/8" plexi overlay
- Removable 1/8" black fabric top



(704) 339-0785

www.tvsetdesigns.com

support@tvsetdesigns.com

