




# 3 Piece Modular Desk




 (704) 339-0785

 [support@tvsetdesigns.com](mailto:support@tvsetdesigns.com)

 [@tvsetdesigns](https://twitter.com/tvsetdesigns)

 [/tvsetdesigns](https://facebook.com/tvsetdesigns)

 [#tvsetdesigns](https://instagram.com/tvsetdesigns)

 808 Tuckaseegee Road, Charlotte, NC 28208

### 3 Piece Modular Desk

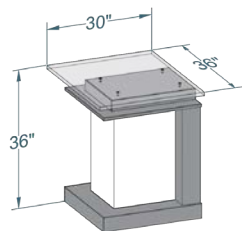
The 3 Piece Modular Desk is made up of three easily movable modules. It features a main module with a Smart TV and two RGBW LED lit endcaps. Effortlessly change monitor graphics and light the desk in thousands of colors.



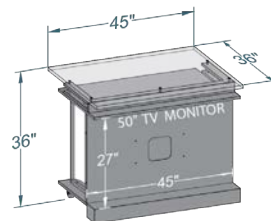
# How It Works

## Two Simple Modules, One Fantastic Desk

The 3 Piece Modular Desk comes with two easily configurable modules: two RGBW LED endcaps and one main module. All modules include locking casters and bolt together. This allows each module to stand alone. Complete your studio with the 3 Piece Modular Desk, or purchase additional modules to assemble a desk of epic proportions.



**Weight:** 175 pounds  
**Footprint:** 30" W x 36" D

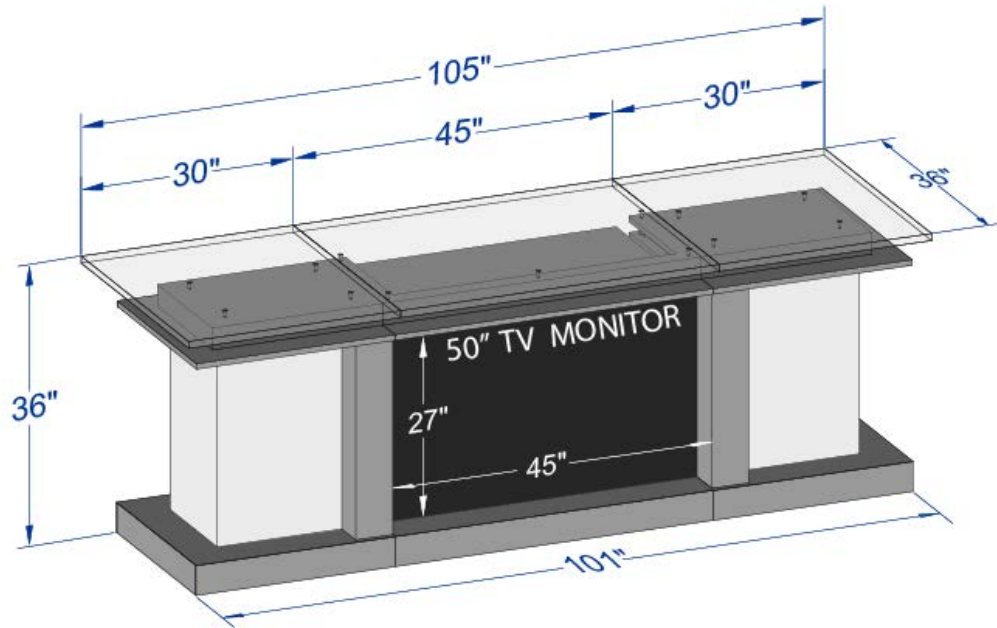


**Weight:** 185 pounds  
**Footprint:** 45" W x 36" D





# 3 Piece Modular Desk Specifications



**3 Piece Modular Desk Ships in Three Crates**

**Crate Dimensions:** 50"L x 40"W x 43"H

**Crate Weight:** 350 pounds

## Features

- Two endcaps and one main module
- Seats 2 - 3 people
- Locking casters for easy reconfiguration
- Built-in 50" Smart TV with HDMI and USB ports
- Easily add video, motion graphics, or branding
- Strong and lightweight tubular steel frame
- RGBW LED lit endcaps
- Multi-channel controller to adjust thousands of colors
- DMX lighting compatible with your studio's controls
- Center module has a built-in shelf to hold iPads, etc

## Desk Back







### 3 Piece Modular Desk

The 3 Piece Modular Desk standard model has a 1" thick acrylic top.





**TVsetdesigns.com LLC**  
 808 Tuckaseegee Road  
 Charlotte, NC 28208-4435

Voice:704-339-0785 Fax:704-339-0545  
 support@tvsetdesigns.com

# Quote

Date	Estimate #
1/1/2024	D3PcMod24

**Billing Company Name / Address:**

**EXAMPLE QUOTE ONLY**  
**DO NOT SUBMIT A P.O.**  
**ALL QUOTES ARE JOB SPECIFIC**



Customer Phone	Customer E-mail	Terms	PO Number
	support@tvsetdesigns.com		

Description	Qty	Rate	U/M	Total
Project to build a Three Piece Modular desk with RGBW columns, face monitor				
Modular Desk 3 Piece - 1 main module, 2 lit endcaps, 105"L x 36"D x 36"H, 1" clear acrylic tops, RGBW lighting, multi-channel controller, locking castors, approx 480 pounds	1	18,189.00	ea	18,189.00
Monitor 50" 4K Smart TV, wall mount, and install on desk face	1	1,056.00	ea	1,056.00
Ship Three Piece Modular Desk with 3 Crates - each approx 49"L X 49"W X 49"H 350 lbs via LTL furniture class freight **Client provides unloading and install labor Quotes for installation or dedicated truck delivery are available upon request	1	1,875.00	set	1,875.00
Typical production time for this project is 6-8 weeks. Construction does not begin until payment has been received, all design decisions have been approved, and finishes have been selected				
Payment terms: 100% Deposit Due to start construction In lieu of deposit payments, POs are accepted only from state or federal school districts, collegiate/university institutions, and U.S. government organizations				
Please note that sales tax may be added at the time of invoicing. If we do not receive the appropriate exemption or resale certificate, we must charge tax in certain states Total sales tax calculated by AvaTax		0.00		0.00

This pricing will be honored until the end of the calendar year that the quote was issued. All freight is LTL service and the client is responsible for unloading and installation unless otherwise indicated above. Image use rights are the responsibility of the end user.			<b>Total</b>	\$21,120.00
---	--	--	--------------	-------------



# Additional Examples



## 3 Piece Modular Desk with Black Plexi Top

The 3 Piece Modular Desk with an 1/8" removable black plexiglass overlay looks sleek and hides tablets on the built-in shelf.

### Options:

- One 50" Smart TV
- Removable Plexi Overlay

**\$21,483** with freight

## 3 Piece Modular Desk with Black Fabric Top

The 3 Piece Modular Desk with an 1/8" removable black fabric overlay eliminates glare and is essential for use with green screens.

### Options:

- One 50" Smart TV
- Removable Fabric Top

**\$21,681** with freight

