




Elliptic News Desk





 (704) 339-0785

 support@tvsetdesigns.com

 [/tvsetdesigns.com](https://www.linkedin.com/company/tvsetdesigns.com)

 [/tvsetdesigns](https://www.facebook.com/tvsetdesigns)

 [@tvsetdesigns](https://www.instagram.com/tvsetdesigns)

 808 Tuckaseegee Road, Charlotte, NC 28208



Elliptic News Desk

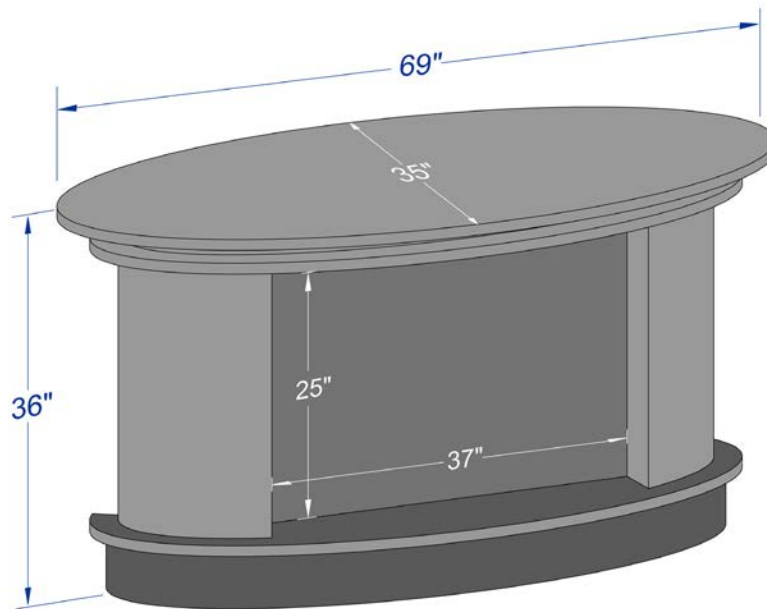
Our Elliptic News Desk features a simple and elegant design. The oval shape is perfect for camera-facing presenters or a small panel discussion. The recessed face can be left plain, feature a printed graphic, or accommodate a LED smart TV for displaying dynamic graphics.

Two Sizes to Fit Your Needs

Our Elliptic News Desk comes in two sizes to best fit your studio and your needs. The Small Elliptic Desk has a footprint of 69"W x 35"D, while the Large Elliptic Desk has a footprint of 81"W x 47"D.



Small Elliptic News Desk Specifications



Assembled Footprint: 69" W x 35" D **Desk Weight:** 200 pounds
Crate Dimensions: 74"L x 40"W x 45"H **Crate Weight:** 400 pounds

Features

- Seats up to 3 people
- Comes with locking casters

Add-Ons

- Mounted 40" Smart TV with HDMI and USB ports to easily add video, motion graphics, or branding
- RGBW LED edge lighting beneath the top, includes a includes controller
- Inset monitors
- 1/8" removable black fabric or plexi overlay

It's a Desk Not Rocket Science

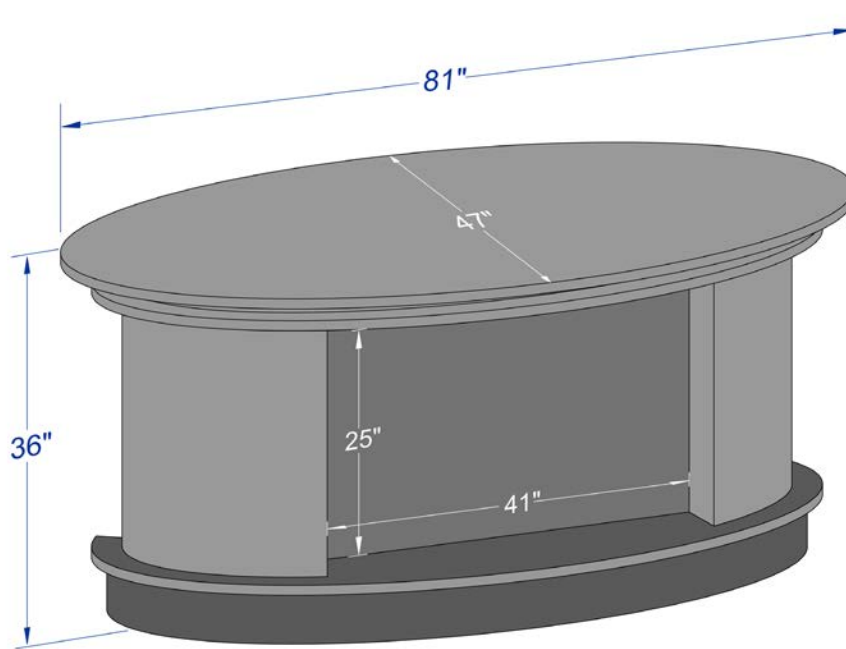


Small Elliptic News Desk

This Small Elliptic Desk is the basic model with no add-ons. It comes with your choice of laminates to match or compliment your branding. Easily upgrade to add a logo or face-mount monitor.



Large Elliptic News Desk Specifications



Assembled Footprint: 81" W x 47" D **Desk Weight:** 315 pounds
Crate Dimensions: 97"L x 49"W x 49"H **Crate Weight:** 550 pounds

Features

- Seats up to 4 people
- Comes with locking casters

Add-Ons

- Mounted 43" Smart TV with HDMI and USB ports to easily add video, motion graphics, or branding
- RGBW LED edge lighting beneath the top, includes a lighting controller
- Inset monitors
- 1/8" removable black fabric or plexi overlay

Desk Back



Large Elliptic News Desk

The Large Elliptic Desk is one foot wider and deeper than the small version but still has the same good looks. Seat another correspondent or two while the pleasing oval shape rounds out the look of your studio.





TVsetdesigns.com LLC
 808 Tuckaseegee Road
 Charlotte, NC 28208-4435

Voice:704-339-0785 Fax:704-339-0545
 support@tvsetdesigns.com

Quote

Date	Estimate #
1/1/2024	DElipMonL24

Billing Company Name / Address:

EXAMPLE QUOTE ONLY
 DO NOT SUBMIT A P.O.
 ALL QUOTES ARE JOB SPECIFIC

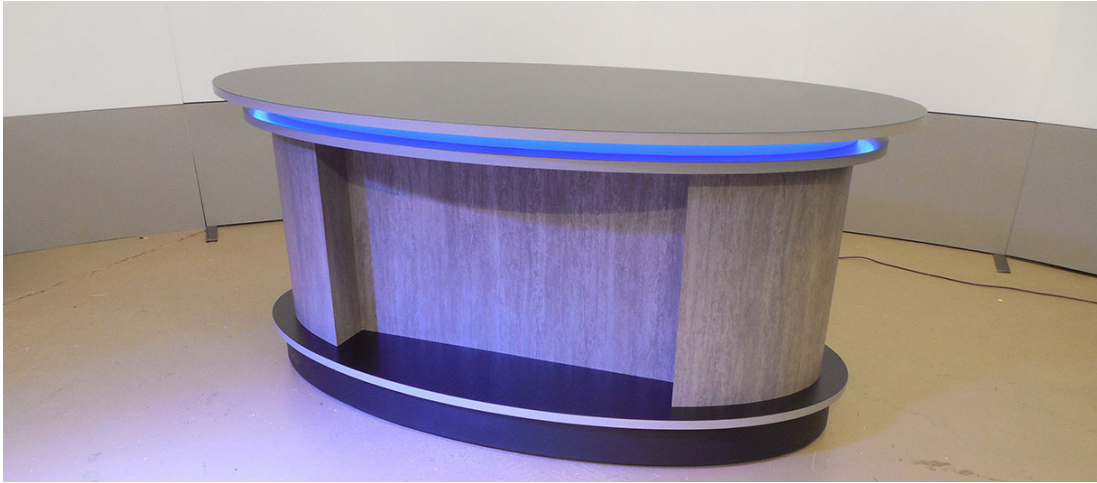


Customer Phone	Customer E-mail	Terms	PO Number
	support@tvsetdesigns.com		

Description	Qty	Rate	U/M	Total
Project to build a Large Elliptic Desk with a face monitor				
Large Elliptic Desk, 47"D x 81"W oval top, 36"H, Wood/Laminate construction, locking castors - Flat front is 25"T x 40".75"W, approx 315 pounds	1	7,328.00	ea	7,328.00
Monitor 43" 4K Smart TV, wall mount, and install on desk face	1	934.00	ea	934.00
Ship Large Elliptic Desk with Crating - Approx 97"L X 49"W X 49"H 549 lbs via LTL furniture class freight Can be shipped in 2 smaller crates for an additional charge **Client provides unloading and install labor Quotes for installation or dedicated truck delivery are available upon request	1	1,216.00	ea	1,216.00
Typical production time for this project is 6-8 weeks. Construction does not begin until payment has been received, all design decisions have been approved, and finishes have been selected				
Payment terms: 100% Deposit Due to start construction In lieu of deposit payments, POs are accepted only from state or federal school districts, collegiate/university institutions, and U.S. government organizations				
Please note that sales tax may be added at the time of invoicing. If we do not receive the appropriate exemption or resale certificate, we must charge tax in certain states Total sales tax calculated by AvaTax		0.00		0.00

This pricing will be honored until the end of the calendar year that the quote was issued. All freight is LTL service and the client is responsible for unloading and installation unless otherwise indicated above. Image use rights are the responsibility of the end user.	Total	\$9,478.00
-------------------------------------------------------------------------------------------------------------------------------------------------------------------------------------------------------------------------------------------------------------------------------	-------	------------

Additional Examples



Edge Lighting

RGBW edge lighting gives your desk a bright and colorful glow-up. This feature comes with a multi-channel DMX controller allowing you to easily adjust the brightness and choose from thousands of colors for your edge lighting.

Options:

- RGBW Edge Lighting

Small **\$9,193** with freight

Large **\$9,653** with freight

Monitor

The addition of a LED smart TV to your desk is a powerful tool for displaying dynamic graphics or media on set. The opportunities for customization are endless. It affords this desk the potential to work across several different shows or programs.

Options:

- Face-mount LED monitor

Small **\$8,983** with freight

Large **\$9,478** with freight



Additional Options



Acrylic Top

Add some clarity to your broadcast with a 1" thick acrylic top. The flame-polished edges capture the light for a sleek, modern look.

Options:

- 1" Acrylic Top

Small **\$8,934** with freight

Large **\$9,394** with freight

Acrylic Top + Tabletop Lighting + Monitor

The RGBW tabletop lighting lets you add color to the 1" acrylic top. Turn on the LED smart TV and you have a feature-loaded desk ready to perform on camera.

Options As Shown:

- 1" Acrylic Top
- RGBW Dual-Zone Tabletop Lighting
- Face-Mount LED Monitor

Single-Zone Small **\$11,205** with freight

Single-Zone Large **\$11,700** with freight

Dual-Zone Large **\$13,555** with freight

