




XL Curve Desk




 (704) 339-0785

 support@tvsetdesigns.com

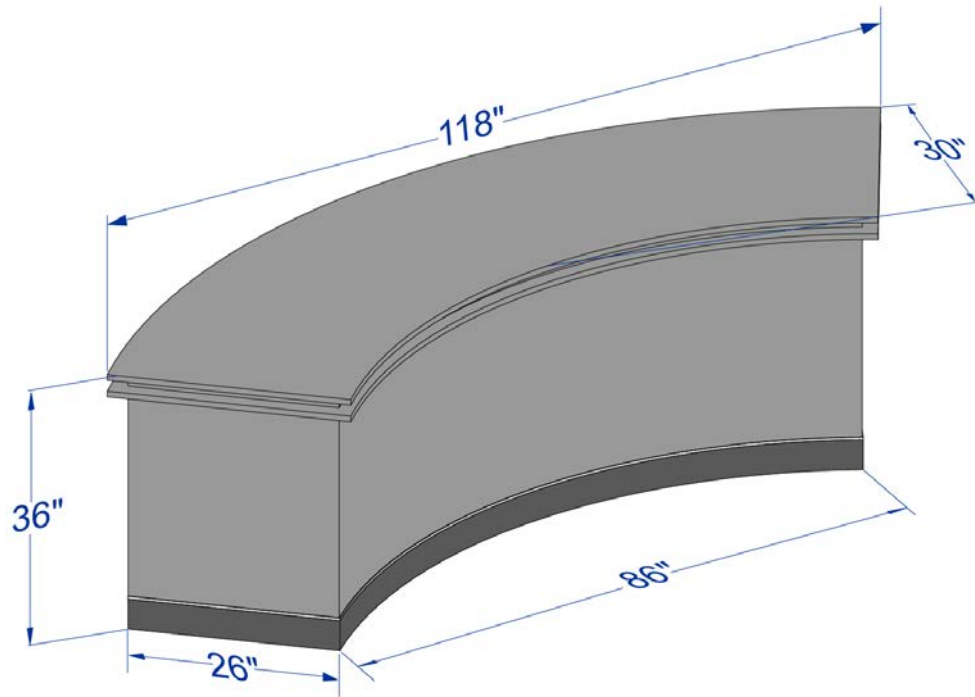
 @tvsetdesigns

 /tvsetdesigns

 #tvsetdesigns

 808 Tuckaseegee Road, Charlotte, NC 28208

XL Curve Desk Specifications



Weight: 200 pounds
Footprint: 118"D x 44"W

Crate Weight: 578 pounds
Crate Dimensions: 122"L x 44"W x 44"H

Features

- Seats up to 5 people
- Comes with locking casters
- Choice of laminates included with the base price
- Bottom 4" are a black ABS finish to prevent chipping

Desk Back



XL Curve Desk

Laminates

Tops: Black

Between Tops: Yunnan

Body: Yunnan





TVsetdesigns.com LLC
 808 Tuckaseegee Road
 Charlotte, NC 28208-4435

Voice:704-339-0785 Fax:704-339-0545
 support@tvsetdesigns.com

Quote

Date	Estimate #
1/1/2024	DCurveXL24

Billing Company Name / Address:

EXAMPLE QUOTE ONLY
 DO NOT SUBMIT A P.O.
 ALL QUOTES ARE JOB SPECIFIC



Customer Phone	Customer E-mail	Terms	PO Number
	support@tvsetdesigns.com		

Description	Qty	Rate	U/M	Total
Project to build a XL Curve Desk				
XL Curve Desk for up to 5 persons, 118"W x 30"D x 36"H, Wood/Laminate body and top, locking castors, approx 200 pounds	1	5,581.00	ea	5,581.00
Ship XL Curve Desk with Crating - Approx 121"L X 49"W X 49"H 578 lbs via LTL furniture class freight **Client provides unloading and install labor	1	1,634.00	ea	1,634.00
Quotes for installation or dedicated truck delivery are available upon request				
Typical production time for this project is 6-8 weeks. Construction does not begin until payment has been received, all design decisions have been approved, and finishes have been selected				
Payment terms: 100% Deposit Due to start construction In lieu of deposit payments, POs are accepted only from state or federal school districts, collegiate/university institutions, and U.S. government organizations				
Please note that sales tax may be added at the time of invoicing. If we do not receive the appropriate exemption or resale certificate, we must charge tax in certain states Total sales tax calculated by AvaTax		0.00		0.00

This pricing will be honored until the end of the calendar year that the quote was issued. All freight is LTL service and the client is responsible for unloading and installation unless otherwise indicated above. Image use rights are the responsibility of the end user.			Total	\$7,215.00
---	--	--	-------	------------

XL Curve Desk Rendering

The desk below shows a 3D rendering used to finalize finishes before the desk is built. If you add on a graphic, two renderings are included in the cost.

If you'd like renderings but do not have a graphic, that option can be added for \$144.



Additional Examples



\$7,829 with freight

Options: graphic

Finishes

Tops: Golden Years

Edges: Golden Years

Between Tops: Blacks

Body: Black

Bottom: Black ABS with Silver Trim



\$8,149 with freight

Options: mounted face monitor

Finishes

Tops: Black

Edges: Silver Alu

Between Tops: Shaker Cherry

Body: Shaker Cherry

Bottom: Gray Molding with Silver Trim