




Small Curve Desk



 (704) 339-0785

 support@tvsetdesigns.com

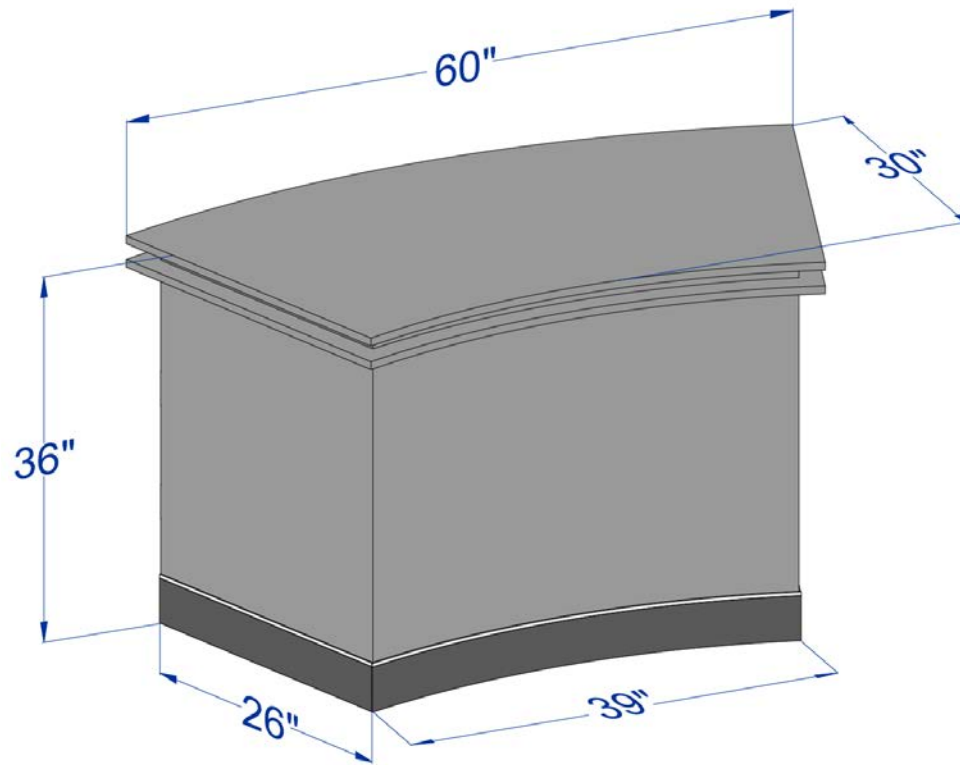
 [@tvsetdesigns](https://twitter.com/tvsetdesigns)

 [/tvsetdesigns](https://www.facebook.com/tvsetdesigns)

 [#tvsetdesigns](https://www.instagram.com/tvsetdesigns)

 808 Tuckaseegee Road, Charlotte, NC 28208

Small Curve Desk Specifications



Weight: 100 pounds

Footprint: 34"D x 60"W

Crate Weight: 375 pounds

Crate Dimensions: 65"L x 40"W x 43"H

Features

- Seats 1-2 people
- Comes with locking casters
- Choice of laminates included with the base price
- Bottom 4" are a black ABS finish to prevent chipping

Desk Back



Small Curve Desk with a Graphic and Fabric Top

A removable fabric top is used to prevent reflections for studios using a green screen. The top is 1/8" thick and is easy to remove and store.





TVsetdesigns.com LLC
 808 Tuckaseegee Road
 Charlotte, NC 28208-4435

Voice:704-339-0785 Fax:704-339-0545
 support@tvsetdesigns.com

Quote

Date	Estimate #
1/1/2024	DCurveSm24

Billing Company Name / Address:

EXAMPLE QUOTE ONLY
DO NOT SUBMIT A P.O.
ALL QUOTES ARE JOB SPECIFIC



Customer Phone	Customer E-mail	Terms	PO Number
	support@tvsetdesigns.com		

Description	Qty	Rate	U/M	Total
Project to build a Small Curve Desk with face graphic and fabric top				
Small Curve Desk for up to 2 persons, 60"W x 30"D x 36"H, Wood/Laminate body and top, locking castors, approx 100 pounds	1	3,905.00	ea	3,905.00
Graphic for Desk Face, contour cut applied vinyl or UV print to PVC - Includes renderings with up to 2 revisions	1	614.00	ea	614.00
Fabric Top for Desk, removable, 1/8" styrene board base, custom contoured to desk, with fabric glued to board and wrapped around edge	1	561.00	ea	561.00
Ship Small Curve Desk with Crating - Approx 71"L X 49"W X 49"H 370 lbs via LTL furniture class freight **Client provides unloading and install labor	1	858.00	ea	858.00
Quotes for installation or dedicated truck delivery are available upon request				
Typical production time for this project is 6-8 weeks. Construction does not begin until payment has been received, all design decisions have been approved, and finishes have been selected				
Payment terms: 100% Deposit Due to start construction In lieu of deposit payments, POs are accepted only from state or federal school districts, collegiate/university institutions, and U.S. government organizations				
Please note that sales tax may be added at the time of invoicing. If we do not receive the appropriate exemption or resale certificate, we must charge tax in certain states Total sales tax calculated by AvaTax		0.00		0.00
This pricing will be honored until the end of the calendar year that the quote was issued. All freight is LTL service and the client is responsible for unloading and installation unless otherwise indicated above. Image use rights are the responsibility of the end user.	Total			\$5,938.00

**Small Curve Desk with a Graphic
Laminates**

Tops: Studio Gray

Between Tops: Blue to Match Graphic

Body: Calm Distinction



Small Curve Desk Rendering

The graphic cost includes two, 3D renderings. This allows you to work with a designer to finalize finishes before the desk is built.



Additional Examples



\$5,697 with freight

Options: mounted face monitor

Finishes: Sovereign Cherry body, Silver Alu Metalx edges and Black tops



\$5,324 with freight

Options: 1/8" removable fabric top

Finishes: Black body and tops with Silver Alu Metalx edges



\$4,763 with freight

Options: none, base model

Finishes: Patriot Blue body, Chrome Yellow edges, Black ring and tops



\$5,938 with freight

Options: graphic, 1/8" removable fabric top

Finishes: Iconic Maple body, Garden Mist edges, Liberty Red ring, Black tops

Additional Examples



\$5,377 with freight

Options: graphic

Finishes: Cement body and ring, White edges, Atlantis tops



\$5,938 with freight

Options: graphic, 1/8" removable fabric top

Finishes: White body, Black edges and tops, Purple ring to match logo



\$7,047 with freight

Options: graphic, RGBW LED edge lighting, 1/8" removable fabric top

Finishes: Navy Blue body, Studio Gray tops and edges



\$5,603 with freight

Options: inset monitor shelf with 1/8" clear plexiglas top

Finishes: Silver Alu Metalx body and edges, Black tops