





Medium Curve Desk




 (704) 339-0785

 support@tvsetdesigns.com

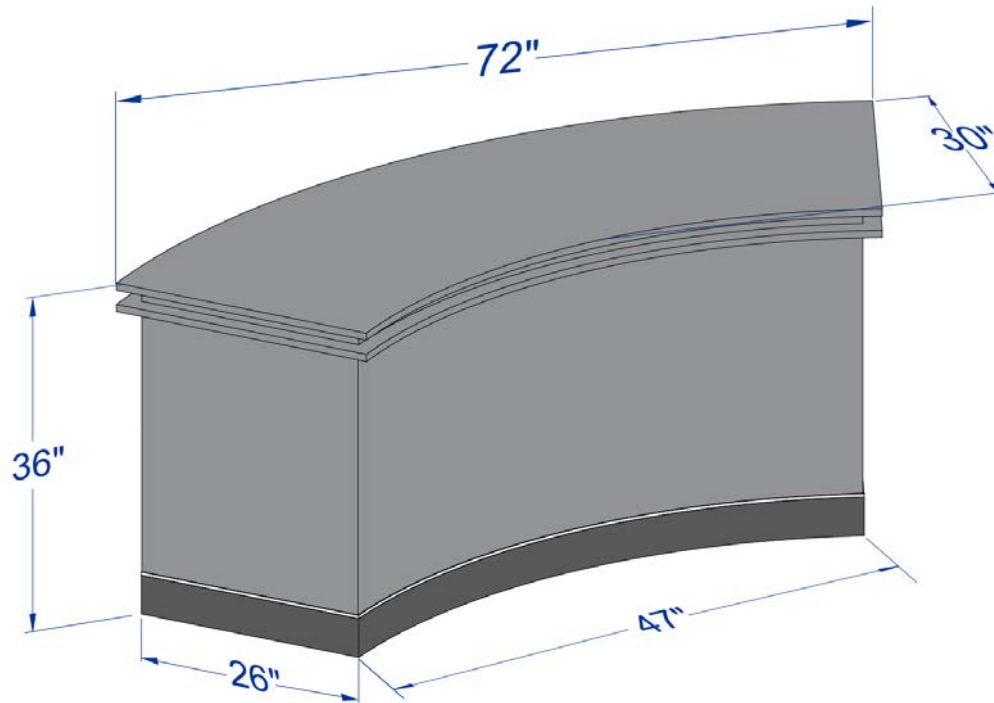
 [@tvsetdesigns](https://twitter.com/tvsetdesigns)

 [/tvsetdesigns](https://facebook.com/tvsetdesigns)

 [#tvsetdesigns](https://instagram.com/tvsetdesigns)

 808 Tuckaseegee Road, Charlotte, NC 28208

Medium Curve Desk Specifications



Weight: 130 pounds

Footprint: 35"D x 72"W

Crate Weight: 385 pounds

Crate Dimensions: 77"L x 40"W x 44"H

Features

- Seats up to 3 people
- Comes with locking casters
- Choice of laminates included with the base price
- Bottom 4" are a black ABS finish to prevent chipping

Desk Back



Medium Curve Desk with a Graphic and Fabric Top

A removable fabric top is used to prevent reflections for studios using a green screen. The top is 1/8" thick and is easy to remove and store.





TVsetdesigns.com LLC
 808 Tuckaseegee Road
 Charlotte, NC 28208-4435

Voice:704-339-0785 Fax:704-339-0545
 support@tvsetdesigns.com

Quote

Date	Estimate #
1/1/2024	DCurveMed24

Billing Company Name / Address:

EXAMPLE QUOTE ONLY
DO NOT SUBMIT A P.O.
ALL QUOTES ARE JOB SPECIFIC



Customer Phone	Customer E-mail	Terms	PO Number
	support@tvsetdesigns.com		

Description	Qty	Rate	U/M	Total
Project to build a Medium Curve Desk with face graphic and fabric top				
Medium Curve Desk for up to 3 persons, 72"W x 30"D x 36"H, Wood/Laminate body and top, locking castors, approx 130 pounds	1	4,105.00	ea	4,105.00
Graphic for Desk Face, contour cut applied vinyl or UV print to PVC - Includes renderings with up to 2 revisions	1	614.00	ea	614.00
Fabric Top for Desk, removable, 1/8" styrene board base, custom contoured to desk, with fabric glued to board and wrapped around edge	1	561.00	ea	561.00
Ship Medium Curve Desk with Crating - Approx 78"L X 37"W X 49"H 381 lbs via LTL furniture class freight **Client provides unloading and install labor	1	876.00	ea	876.00
Quotes for installation or dedicated truck delivery are available upon request				
Typical production time for this project is 6-8 weeks. Construction does not begin until payment has been received, all design decisions have been approved, and finishes have been selected				
Payment terms: 100% Deposit Due to start construction In lieu of deposit payments, POs are accepted only from state or federal school districts, collegiate/university institutions, and U.S. government organizations				
Please note that sales tax may be added at the time of invoicing. If we do not receive the appropriate exemption or resale certificate, we must charge tax in certain states Total sales tax calculated by AvaTax		0.00		0.00
This pricing will be honored until the end of the calendar year that the quote was issued. All freight is LTL service and the client is responsible for unloading and installation unless otherwise indicated above. Image use rights are the responsibility of the end user.	Total			\$6,156.00

**Medium Curve Desk with a Graphic
Laminates**

Tops: Black

Edges: Flax Linen

Between Tops: Yellow to Match Graphic

Body: Landmark Wood



Medium Curve Desk Rendering

The graphic cost includes two, 3D renderings. This allows you to work with a designer to finalize finishes before the desk is built.



Additional Examples



1
\$4,981 with freight

Options: none, base model

Finishes: Cement body and ring, White edges, Atlantis tops



2
\$6,156 with freight

Options: graphic, 1/8" removable fabric top

Finishes: Gunmetal Gray body, Silver Alu edges, Red ring matched to graphic, Black tops



3
\$6,156 with freight

Options: graphic, 1/8" removable fabric top

Finishes: Blueberry Hill body, Silver Alu edges, Yellow to match graphic, Black tops



4
\$5,915 with freight

Options: mounted face monitor

Finishes: White Cement body and ring, Silver Alu edges, Black tops

Additional Examples



\$5,595 with freight

Options: graphic

Finishes: Tendu body and ring, Silver Alu edges, Black tops



\$5,958 with freight

Options: graphic, 1/8" removable black plexiglas overlay

Finishes: Stainless Metalix body and edges, Red ring to match graphic, Black tops



\$5,595 with freight

Options: graphic

Finishes: Outer Limits body, Black ring, Purple Violine edges and tops



\$6,156 with freight

Options: graphic, 1/8" removable fabric top

Finishes: Chalk White body, Yellow ring, Black edges and tops

Additional Examples



\$6,957 with freight

Options: mounted face monitor, inset monitor, 1/4" smoked plexiglas top
Finishes: Calm Distinction body, Silver Alu edges, Purple ring to match brand colors, Black tops



\$5,595 with freight

Options: graphic
Finishes: Siren Maple body, Studio Gray edges and tops, Orange ring to match graphic



\$5,542 with freight

Options: 1/8" removable fabric top
Finishes: Yunnan body, Silver Alu edges and ring, Black tops



\$5,595 with freight

Options: graphic
Finishes: Deep Blue body, Chalk White edges, Yellow ring to match graphic, Maritime Gray tops

Additional Examples



\$7,922 with freight

Options: mounted face monitor, 1/8" removable fabric top, RGBW edgelighting

Finishes: Sovereign Cherry body, Silver Alu edges, Black tops



\$5,595 with freight

Options: graphic

Finishes: Black Lodestone body, Silver Alu edges, Blue ring to match graphic, Black tops



\$5,595 with freight

Options: graphic

Finishes: Iconic Maple body, Silver Alu edges, Black tops



\$6,156 with freight

Options: graphic, 1/8" removable fabric top

Finishes: Royal Blue body, Silver Alu tops and edges, Red ring to match graphic