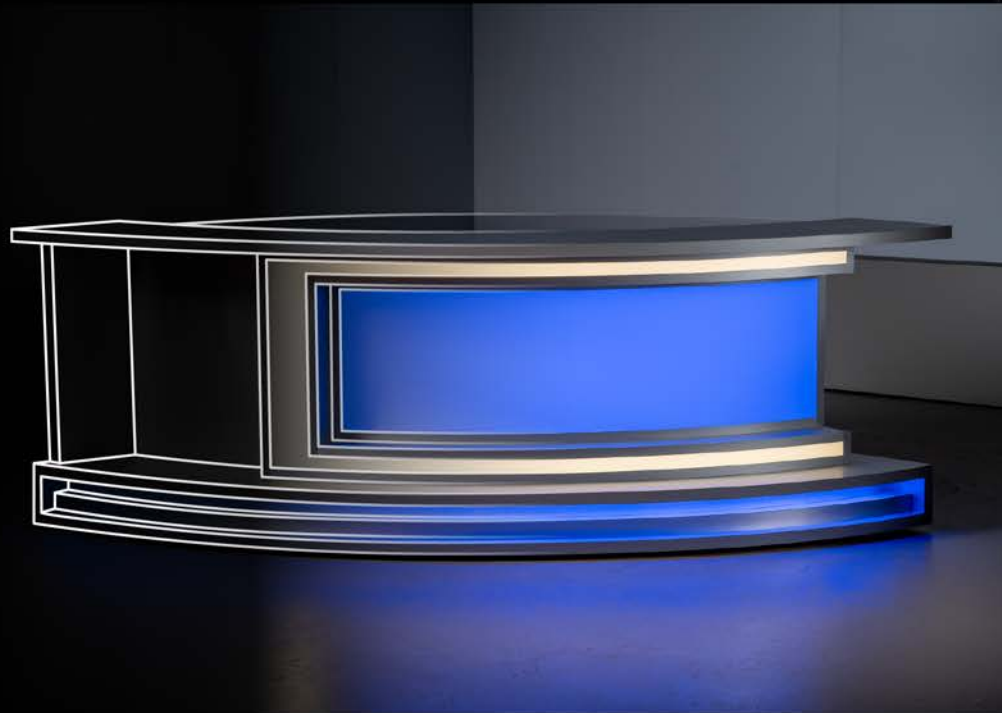





Anchor News Desk




 (704) 339-0785

 support@tvsetdesigns.com

 [/tvsetdesigns.com](https://www.linkedin.com/company/tvsetdesigns)

 [/tvsetdesigns](https://www.facebook.com/tvsetdesigns)

 [@tvsetdesigns](https://www.instagram.com/tvsetdesigns)

 808 Tuckaseegee Road, Charlotte, NC 28208

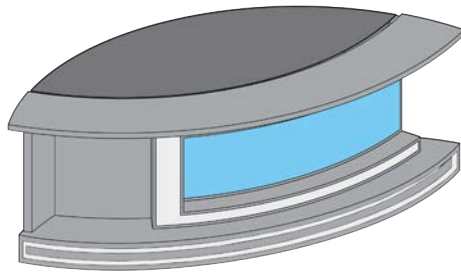
Anchor News Desk

The Anchor News Desk makes a dramatic impression with its dimensional design, lighting, and monitor options. This 10ft desk is suited for larger studios and is great for a single presenter or a panel.



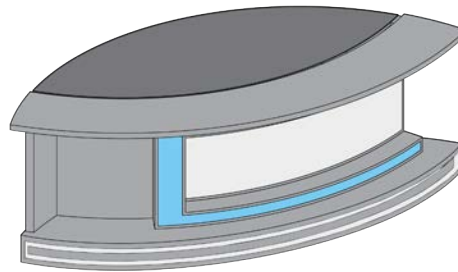
Light Where You Want It

Give your Anchor Desk a bright and colorful glow up. Add any combination of these three RGBW LED lit lightboxes. This feature comes with a multi-channel DMX controller allowing you to easily adjust the brightness and colors of each box.



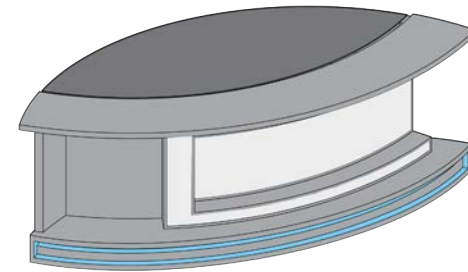
Main Lightbox

Use the main lightbox to set your broadcast's tone and mood. This lightbox can also accommodate a backlit graphic.



C Lightbox

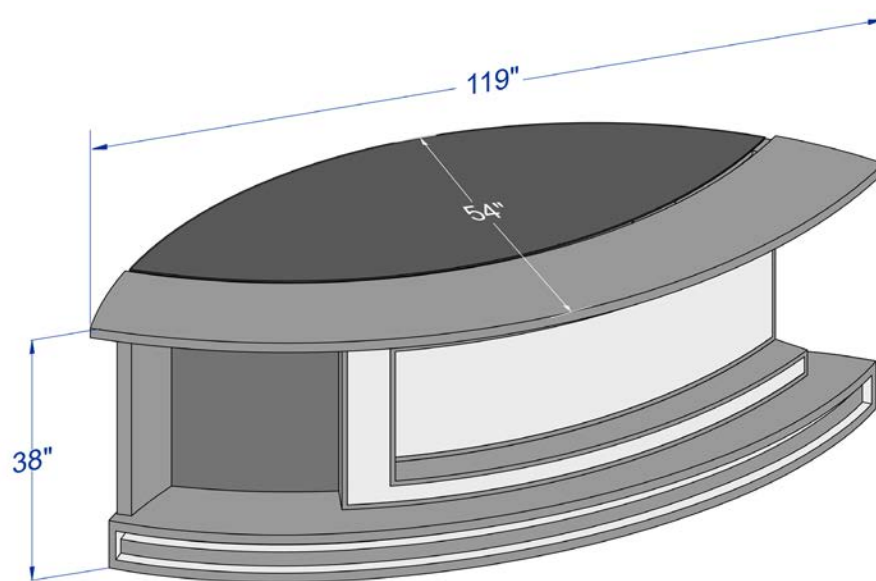
The C-shaped lightbox is perfect for an accent or secondary brand color.



Floor Lightbox

The floor lightbox runs along the bottom of the desk. It shows off the desk's wide curve and can be used to reflect light off of smooth flooring.

Anchor News Desk Specifications



Assembled Footprint: 119" W x 54" D **Desk Weight:** 400 pounds

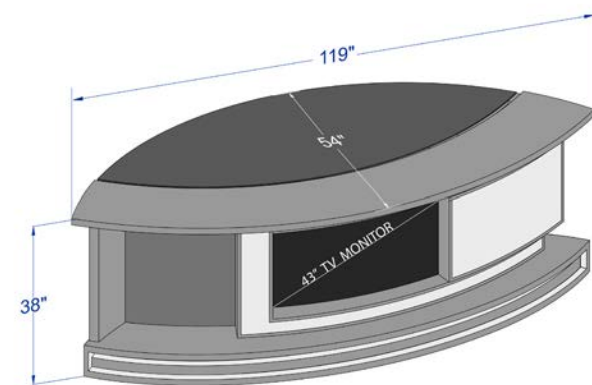
Crate Dimensions: 127"L x 60"W x 49"H **Crate Weight:** 860 pounds

Loading dock and forklift or pallet jack required if shipped fully assembled

Features

- Seats 3 people
- Comes with locking casters
- Option to add up to three RGBW LED lightboxes
- Multi-channel controller to adjust thousands of colors
- DMX lighting compatible with your studio's controls
- Optional 43" Smart TV with HDMI and USB ports to easily add video, motion graphics or branding
- Optional custom-fitted platform

Monitor Model



A Desk and A Platform

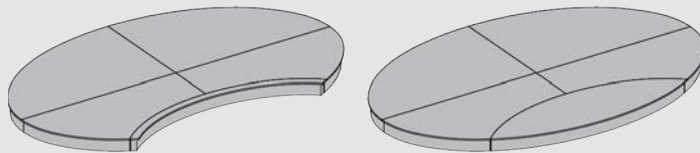


Desk + Platform

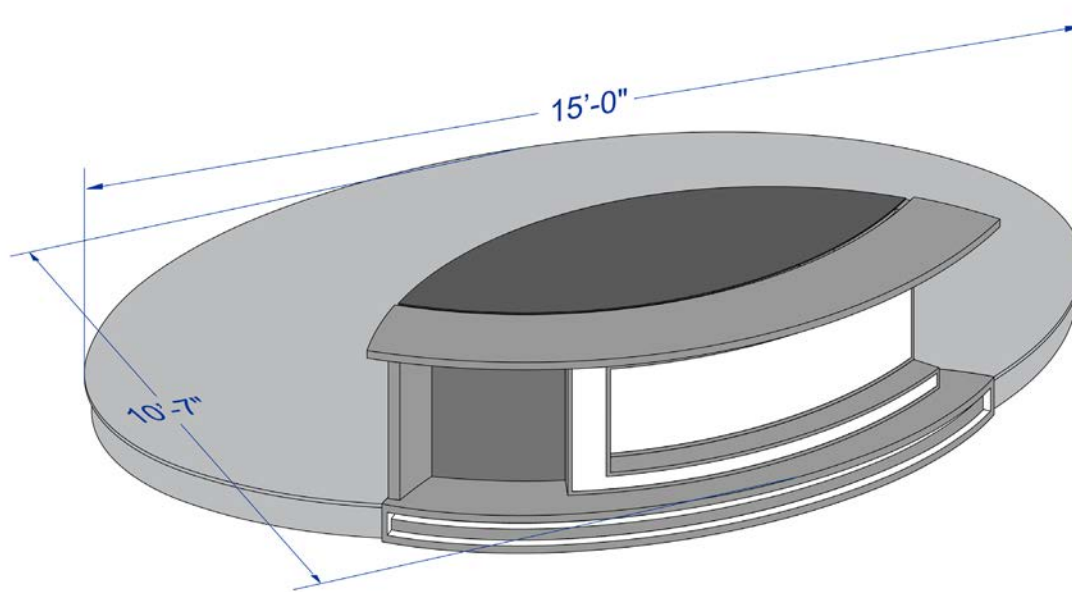
The Anchor Desk can be combined with a custom platform. Roll away the desk and you have a platform for an interview set up.

Standalone Platform

We offer two styles of plugs to finish the front edge of the remaining platform. The eyebrow shaped plug creates a crescent shaped platform as seen here. A football shaped plug fits the platform to create an unbroken oval.



Anchor Platform Specifications



Assembled Footprint: 15' W x 10' 7" D

Crate Dimensions: 101"L x 63"W x 46"H

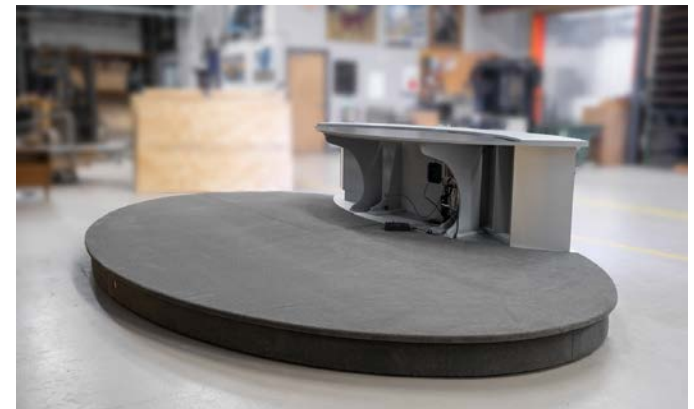
Platform Weight: 850 pounds

Crate Weight: 910 pounds

Features

- Covered with laminate flooring or durable, professional grade carpet available in a wide range of colors.
- Platform is built in sections that cam-lock together to make transport and storage easy.
- Each platform comes with 6" castors and brakes for ease of movement.

Platform



Monitor Model

The Monitor Model of this desk has a slight redesign to fit a built-in 43" Smart TV. You can get a Monitor Model with or without optional lightboxes. Desk as pictured has all three lightboxes.

Options:

- 43" Smart TV
- Main Lightbox
- C Lightbox
- Floor Lightbox





TVsetdesigns.com LLC
 808 Tuckaseegee Road
 Charlotte, NC 28208-4435

Voice:704-339-0785 Fax:704-339-0545
 support@tvsetdesigns.com

Quote

Date	Estimate #
1/1/2024	DAncrTV3B24

Billing Company Name / Address:

EXAMPLE QUOTE ONLY
DO NOT SUBMIT A P.O.
ALL QUOTES ARE JOB SPECIFIC



Customer Phone	Customer E-mail	Terms	PO Number
	support@tvsetdesigns.com		

Description	Qty	Rate	U/M	Total
Project to build an Anchor Desk with 3 RGBW lightboxes and 43" face monitor				
Anchor Desk 119"W x 55"D x 36"H laminate/plexiglass top, castors, weight approx 400 pounds	1	15,583.00	ea	15,583.00
Anchor Desk C Shaped Lightbox - RGBW LED tape with power supply, DMX driver, and install	1	2,625.00	ea	2,625.00
Anchor Desk Main Center Lightbox - 27"H x 60"W x 4"D, RGBW LED tape with power supply, DMX driver, and install	1	2,477.00	ea	2,477.00
Anchor Desk Floor Base Lightbox - RGBW LED tape with power supply, DMX driver, and install	1	1,317.00	ea	1,317.00
Multi-channel DMX Controller	1	337.00	ea	337.00
Ship Anchor Desk Assembled with Crating - Approx 120"L X 60"W X 49"H 858 lbs via LTL furniture class freight - Loading dock and forklift or pallet jack required if this desk is shipped fully assembled **Client provides unloading and install labor Quotes for installation or dedicated truck delivery are available upon request Typical production time for this project is 6-8 weeks. Construction does not begin until payment has been received, all design decisions have been approved, and finishes have been selected Payment terms: 100% Deposit Due to start construction In lieu of deposit payments, POs are accepted only from state or federal school districts, collegiate/university institutions, and U.S. government organizations Please note that sales tax may be added at the time of invoicing. If we do not receive the appropriate exemption or resale certificate, we must charge tax in certain states Total sales tax calculated by AvaTax	1	1,673.00	ea	1,673.00
		0.00		0.00

This pricing will be honored until the end of the calendar year that the quote was issued. All freight is LTL service and the client is responsible for unloading and installation unless otherwise indicated above. Image use rights are the responsibility of the end user.	Total	\$24,012.00
---	--------------	--------------------

Additional Examples



Monitor Model with C Lightbox

The Monitor Model accommodates a built-in 43" Smart TV. The Monitor Model is available with or without optional lightboxes. Desk as pictured has only the C lightbox.

Options:

- 43" LED Monitor
- C Lightbox

\$20,825 with freight

Base Model Anchor Desk

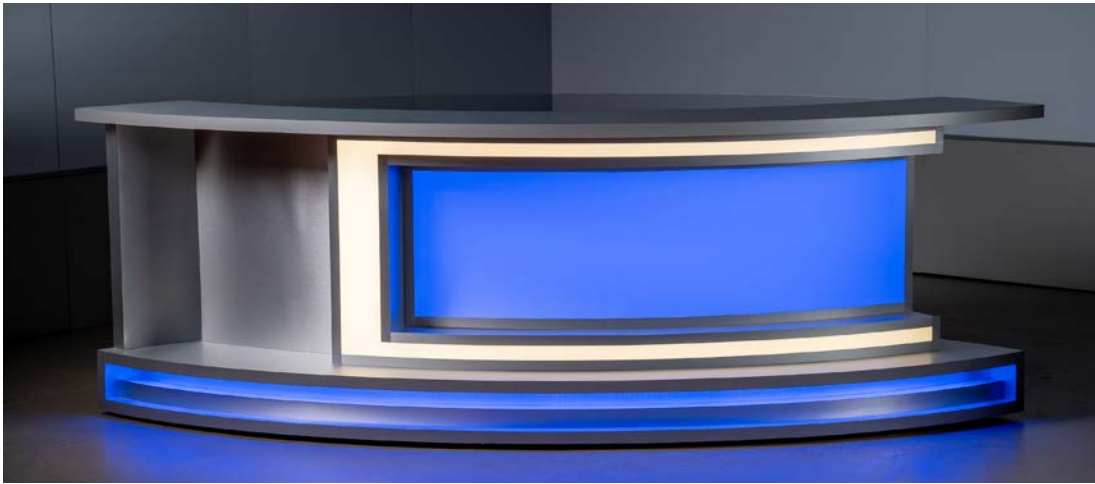
Our standard model finish has metallic laminate on all panels with an optional laminate or plexiglas section on the presenter side of the desktop.

This model can be personalized with a number of laminate combinations. However, certain parts have limited finish choices due to the size and construction of the desk. Ask our team for more information about customized finishes.

\$17,256 with freight



Additional Examples



Anchor Desk with Three Lightboxes

Lit bright with three RGBW LED lightboxes. This desk comes with a multi-channel DMX controller allowing you to easily adjust the intensity and colors of each lightbox.

Options:

- Main Lightbox
- C Lightbox
- Floor Lightbox

\$23,685 with freight

Anchor Desk with Lightbox Graphic

Add a graphic to the main lightbox to showcase your brand or show. This desk comes with a multi-channel DMX controller allowing you to easily adjust the brightness and colors of each lightbox.

Options:

- Main Lightbox with Graphic
- C Lightbox
- Floor Lightbox

\$24,299 with freight



