

8' Straight Fabric Wall

The Straight Fabric Set Wall offers a versatile and vibrant printed fabric wall that will transform your broadcast set, event space, or trade show. Its 30mm aluminum tube frame construction is durable and lightweight, while the self-supporting design offers easy setup without the need for additional support. Stretch fabric graphics are hand-sewn, durable and dry-cleanable.



FEATURES:

- Lightweight 30mm aluminum tube frame with snap button assembly
- Easy to store and ship
- Quick to set up
- Kit includes: one frame, one dye-sublimated zipper pillowcase graphic, and one wheeled molded storage case

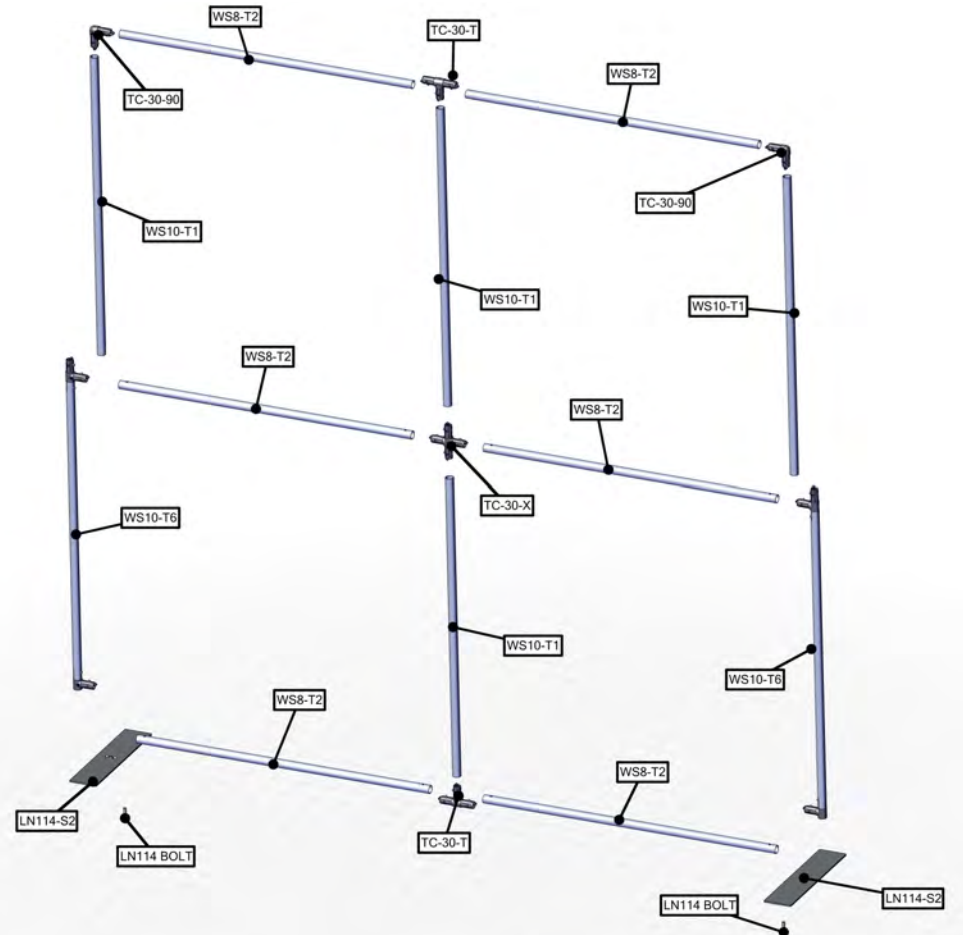
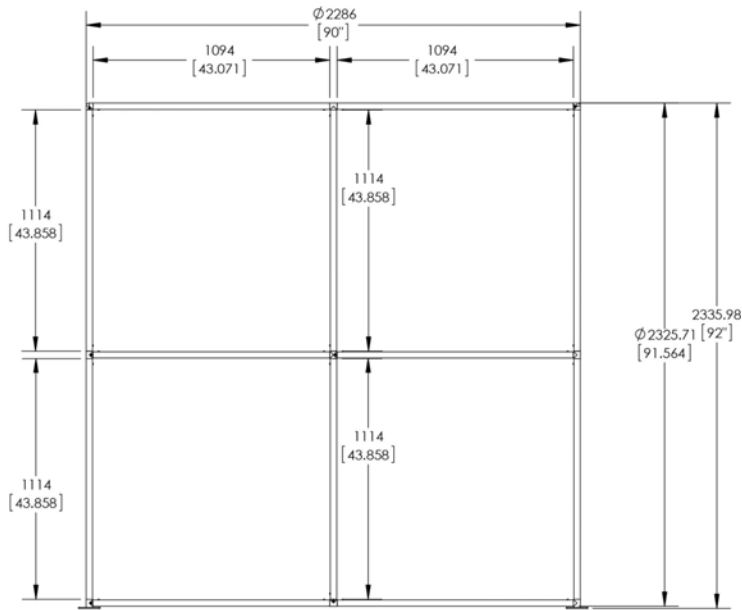
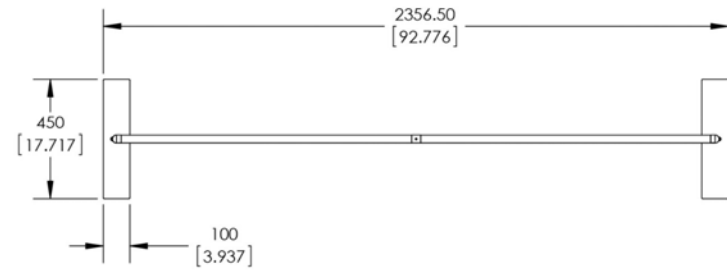
DIMENSIONS:

| Hardware | Graphic |
|---|--|
| Assembled unit: 92.776"w x 92"h x 17.717"d | Total visual area: 90"w x 91.5"h |
| Approximate weight (includes graphic): 29 lbs / 13 kgs | Please be sure to include 2" bleed around the perimeter. |
| Shipping | |
| Shipping dimensions: 1 molded case: 19"l x 19"w x 56"h | |
| Approximate shipping weight (with case): 51 lbs / 23 kgs | |

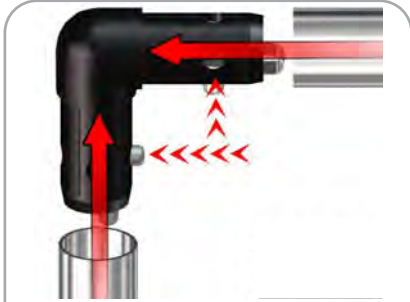
ADDITIONAL INFORMATION:

Graphic material:
Dye-sublimated zipper pillowcase fabric

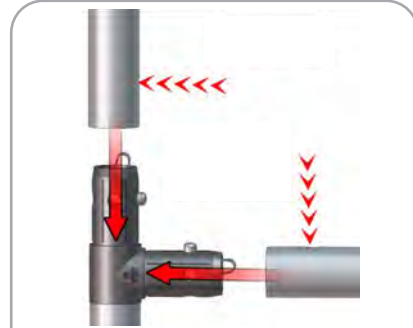
| Parts Included | | |
|---|-----|-----------|
| Part Label | Qty | Part Code |
| 5MM STEEL BASE STYLE 2 FOR LINEAR | x2 | LN114-S2 |
| 90 DEGREE ELBOW JOINT FOR 30MM TUBING | x2 | TC-30-90 |
| T JUNCTION FOR 30MM TUBING | x2 | TC-30-T |
| 4 WAY JUCTION FOR 30MM TUBING | x1 | TC-30-X |
| 1270MM X 30MM TUBE | x6 | WS8-T2 |
| 1114MM X 30MM TUBE | x4 | WS10-T1 |
| 1114MM X 30MM TUBE WITH TC-30-T AND TC-30-90B | x2 | WS10-T6 |



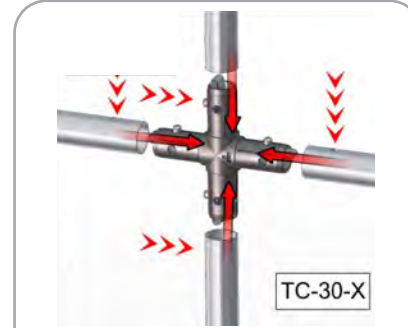
STEP 1: ASSEMBLE FRAME



Assemble frame corners using TC-30-90. Label codes will be on backside of tube. It is best to assemble frame laying flat.

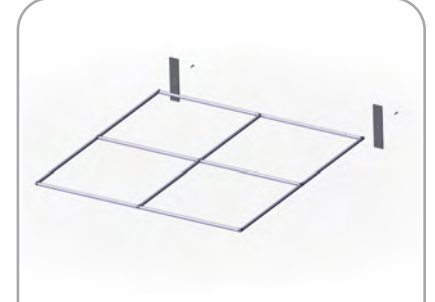


Using TC-30-T junction to connect sides of frame to middle section.



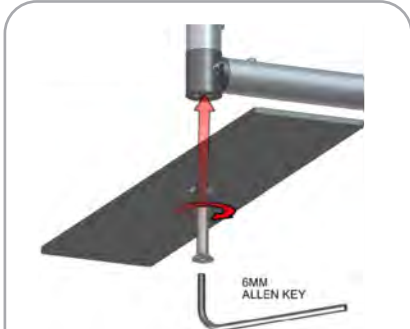
Using TC-30-X junction to connect frame in the middle.

STEP 2: ATTACH FEET

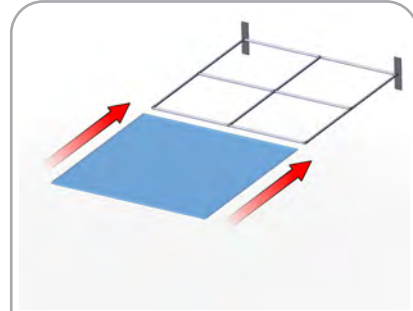


Once frame is connected attach feet.

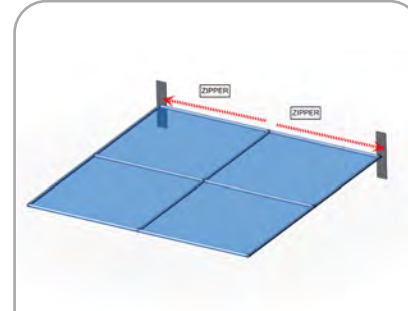
STEP 3: ATTACH GRAPHIC



Using provided allen key, secure feet to bottom of frame by screwing bolt.



Slide graphic over top of frame.



Zip fabric graphic closed on bottom.



Stand unit upright.