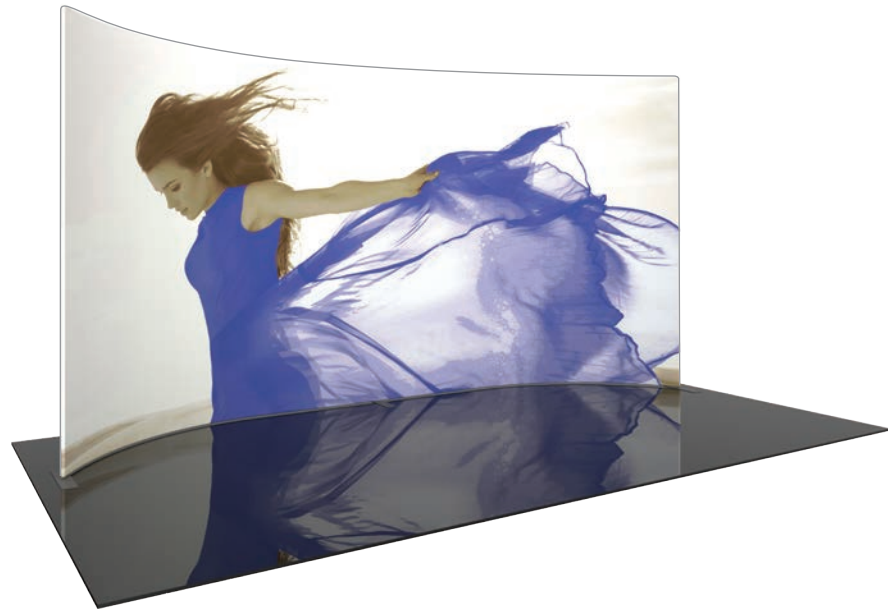


20' Curve Fabric Set Wall

The Curved Fabric Set Wall offers a versatile and vibrant printed fabric wall that will transform your broadcast set, event space, or trade show. Its 30mm aluminum tube frame construction is durable and lightweight, while the self-supporting design offers easy setup without the need for additional support. Stretch fabric graphics are hand-sewn, durable and dry-cleanable.



FEATURES

- State-of-the-art 30mm aluminum tube frame with snap button assembly
- Easy to store and ship
- Quick to set up
- Frame converts down to an 8' height
- 8' height graphic sold separately

- Kit includes: one frame, one dye-sublimated zipper pillowcase graphic, and two wheeled molded storage case

Hardware

Assembled unit:
226.60"W x 120.5"H x 54.91"D

Approximate weight:
59 lb

Graphic

Total graphic area:
254.5"W x 124.25"H

Total visual area:
250.5"W x 120.25"H

Please be sure to include 2" bleed around the perimeter.

Shipping

Shipping dimensions:
2 OCE-2: 18"L x 18"W x 40"-66"H

(Expandable case length may vary)

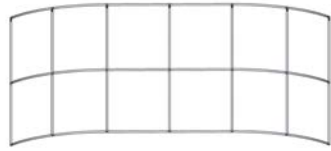
Approximate total shipping weight:
113 lb

ADDITIONAL INFORMATION

Graphic material:
Dye-sublimation zipper pillowcase fabric

Included In Your Kit

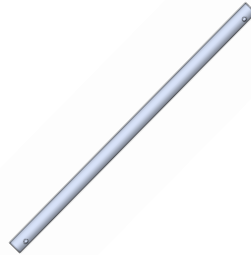
Components, Connectors & Graphics



FMLT-WH20-F x1



FMLT-WH2010-G x1



TUBE-679 x7



WH-20-T3 x2



WH-20-T1 x4



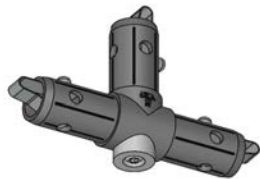
TC-30-T x2



TC-30-X x5



TC-30-90B x2



TC-30-T-CS x4



TC-30-TB x1



PLT-BP-LN114-S2-450 x3



LN114-SCRW x3

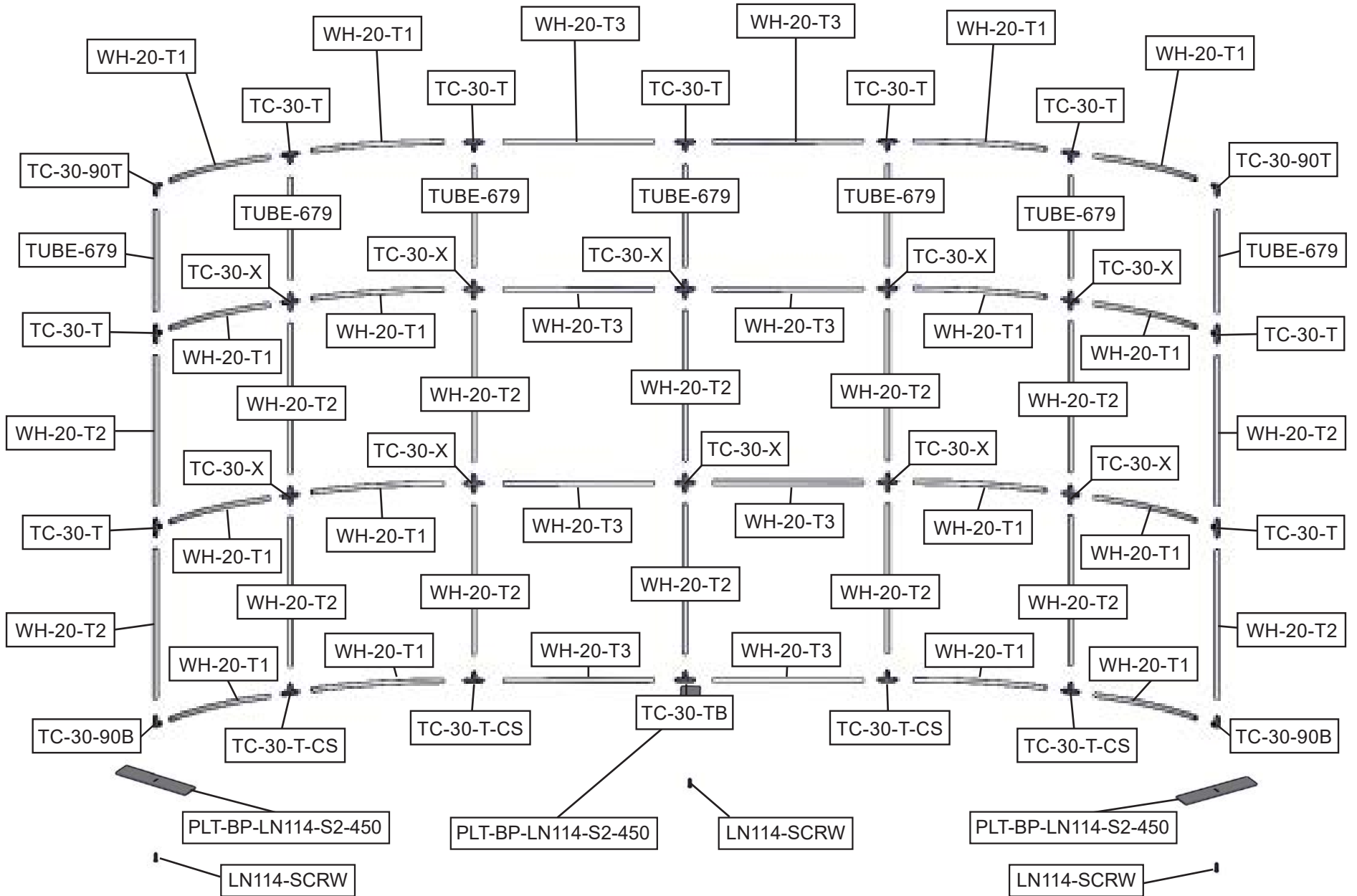


6MM-HEX-KEY x1

FMLT-10FT-EXT-HC2010 x1

Exploded View

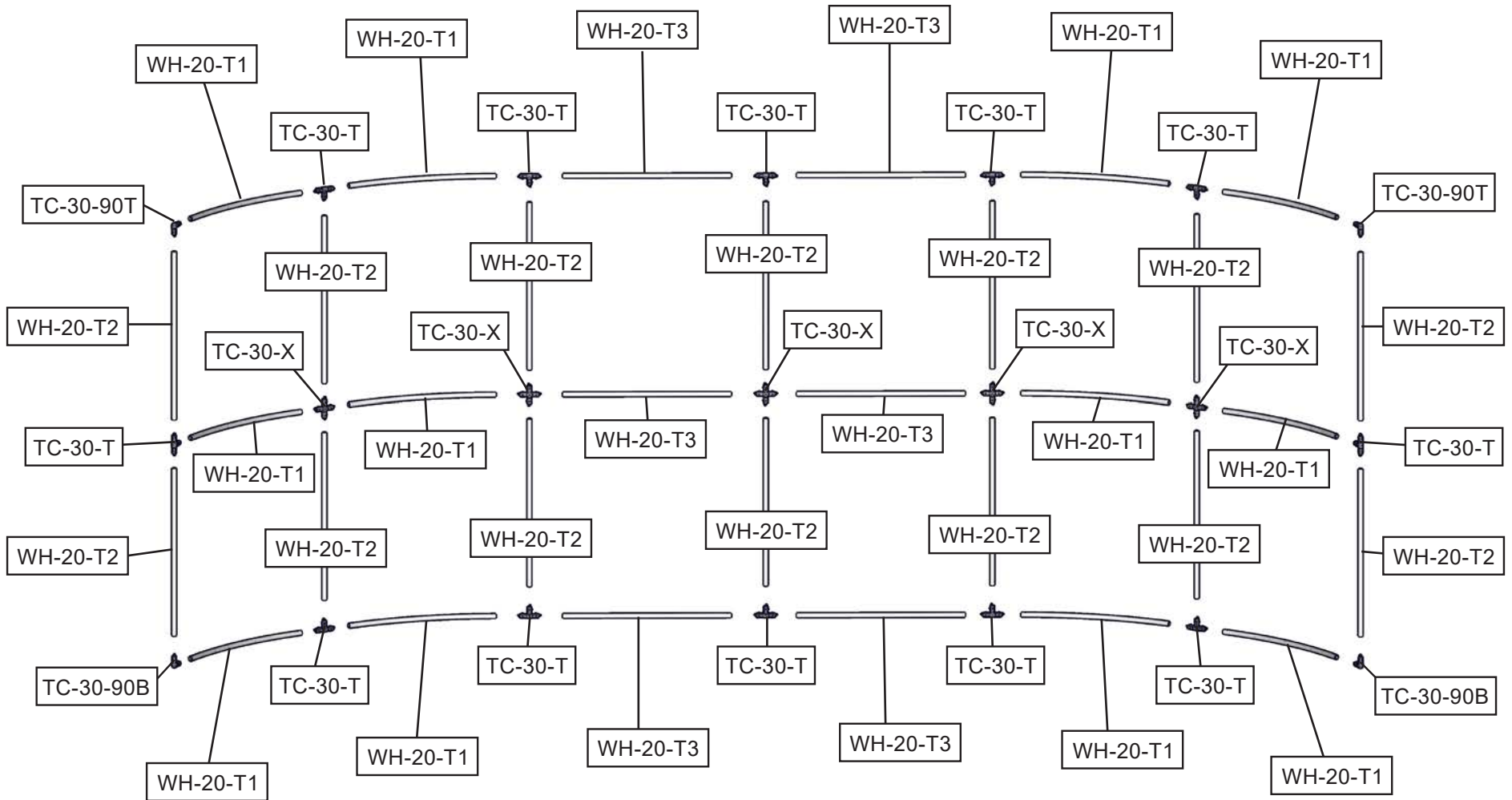
FMLT-WH2010



Exploded View for 8' Height Frame Option

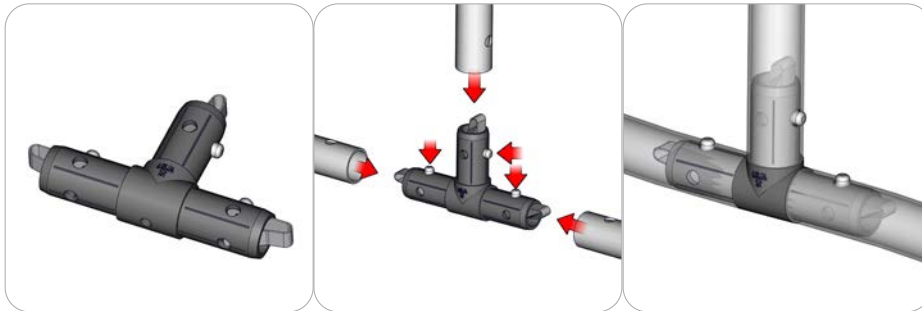
FMLT-WH20-F

8' height graphic sold separately



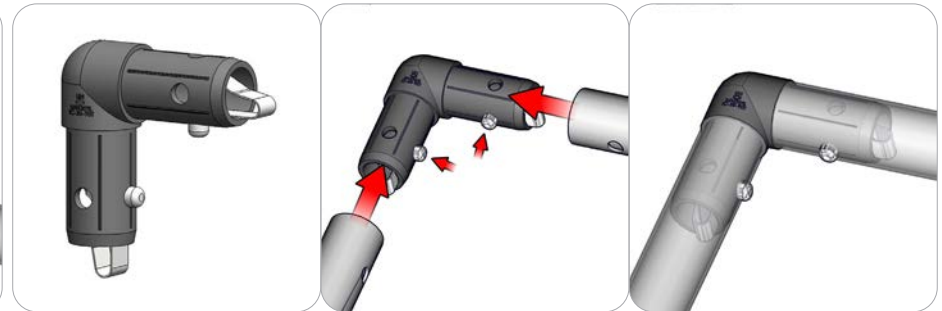
Connection Methods

Connection Method 1: TC-30-T



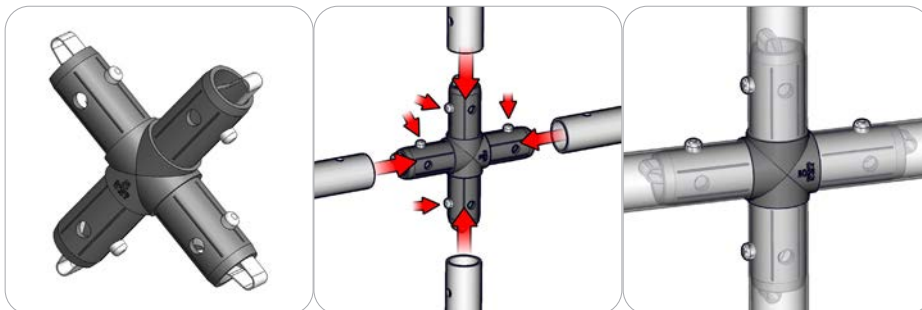
Take the plastic connector and make sure the snap buttons are in proper position for the frame tube holes. Simply press the snap button with your thumb and carefully slide the tube onto the connector. The snap button should pop through. Some twisting may be necessary to assure the snap button has popped all the way through the tube hole. Do not force the connection and be careful with the tube edges, they may be sharp.

Connection Method 2: TC-30-90T



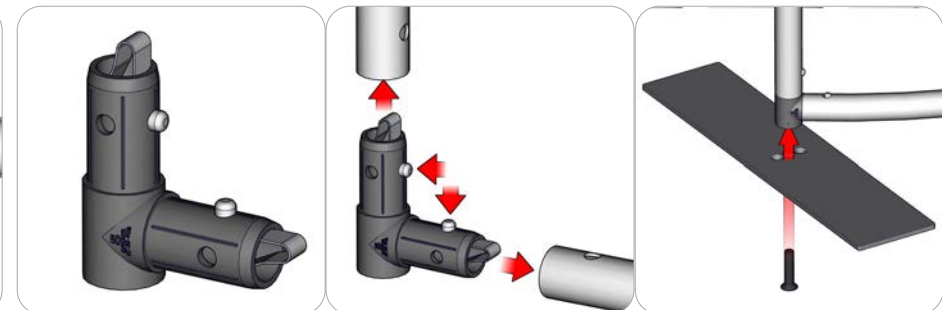
Take the plastic connector and make sure the snap buttons are in proper position for the frame tube holes. Simply press the snap button with your thumb and carefully slide the tube onto the connector. The snap button should pop through. Some twisting may be necessary to assure the snap button has popped all the way through the tube hole. Do not force the connection and be careful with the tube edges, they may be sharp.

Connection Method 3: TC-30-X



Take the plastic connector and make sure the snap buttons are in proper position for the frame tube holes. Simply press the snap button with your thumb and carefully slide the tube onto the connector. The snap button should pop through. Some twisting may be necessary to assure the snap button has popped all the way through the tube hole. Do not force the connection and be careful with the tube edges, they may be sharp.

Connection Method 4: TC-30-90B



Take the plastic connector and make sure the snap buttons are in proper position for the frame tube holes. Simply press the snap button with your thumb and carefully slide the tube onto the connector. The snap button should pop through. Some twisting may be necessary to assure the snap button has popped all the way through the tube hole. Do not force the connection and be careful with the tube edges, they may be sharp.

With the plastic connector in secured place, use the provided hex key for attaching the base plate with the M10 screw. Once the base plate is in the desired position, tighten the set screw.

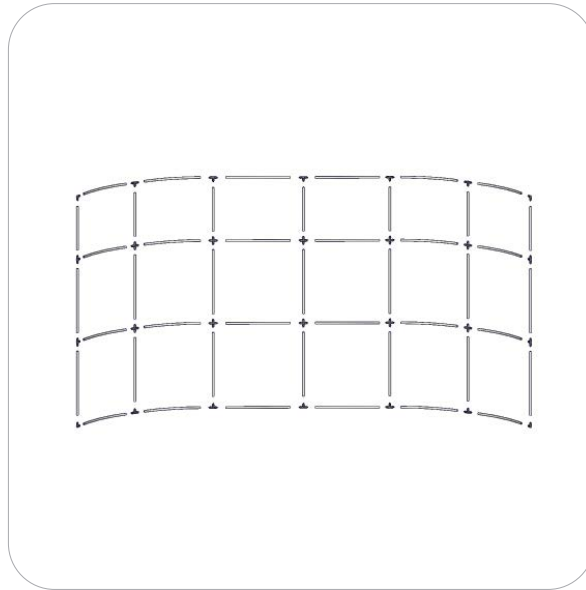
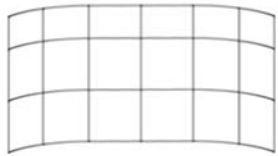
Kit Assembly

Step by Step

Step 1.

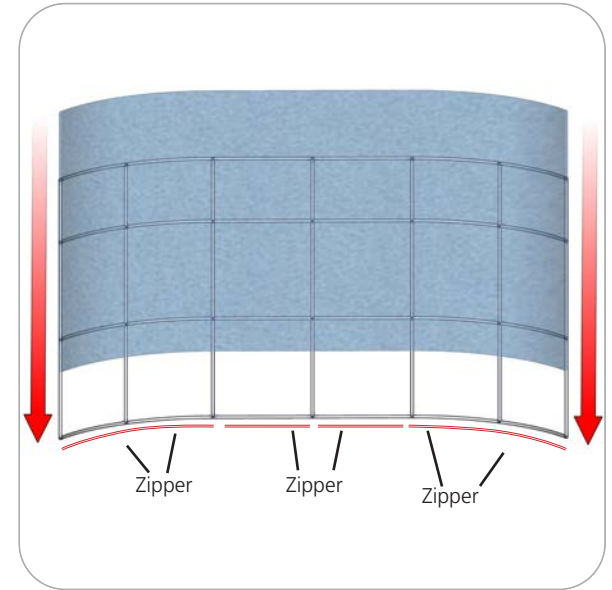
Gather the components to build the frame. Use the Exploded View for part labels.

Reference Connection Method(s) 1, 2, 3 and 4 for more details.



Step 2.

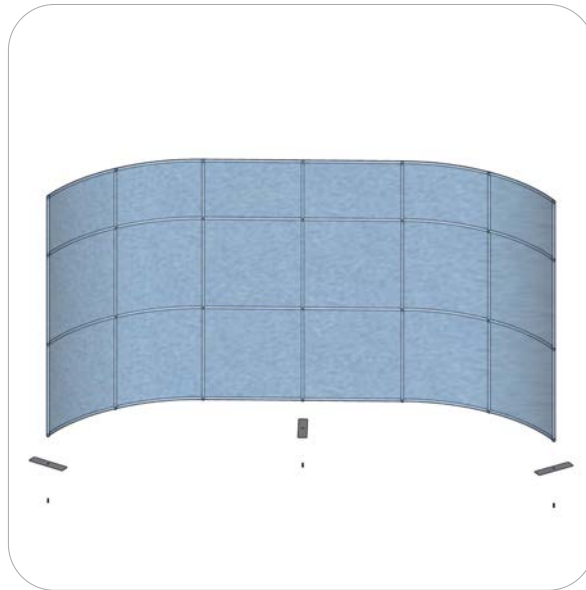
Pull the pillowcase graphic over the frame and zipper it closed at the bottom.



Step 3.

Locate the stabilizing bases. Attach each foot to the bottom ends of the frame. Use the allen key tool provided to fasten the bases in place.

Reference Connection Method(s) 4 for more details.



Step 4.

Setup is complete.

