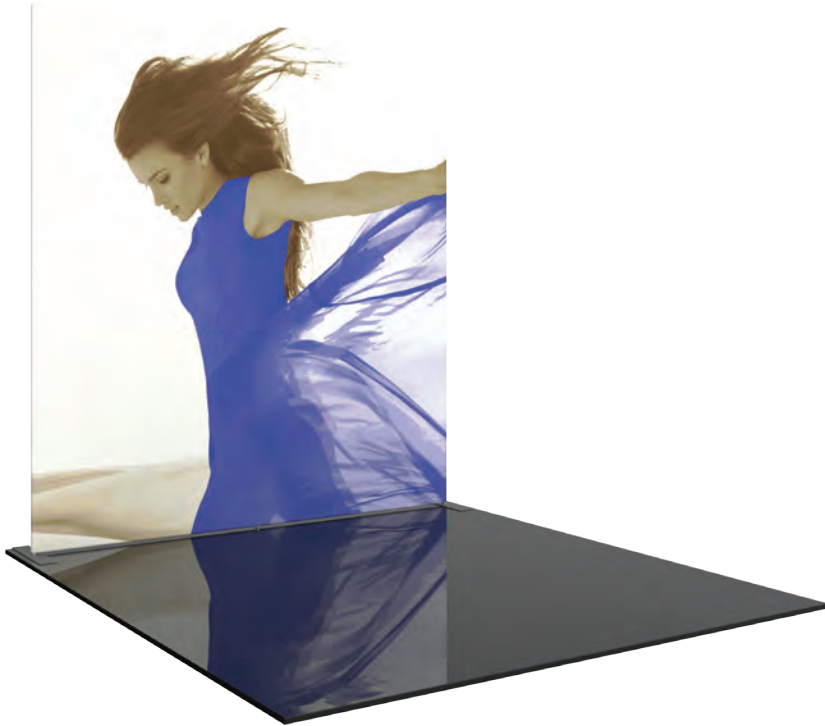


10' Straight Fabric Wall

The Straight Fabric Set Wall offers a versatile and vibrant printed fabric wall that will transform your broadcast set, event space, or trade show. Its 30mm aluminum tube frame construction is durable and lightweight, while the self-supporting design offers easy setup without the need for additional support. Stretch fabric graphics are hand-sewn, durable and dry-cleanable.



FEATURES:

- Lightweight 30mm aluminum tube frame with snap button assembly
- Easy to store and ship
- Quick to set up
- Kit includes: one frame, one dye-sublimated zipper pillowcase graphic, and one wheeled molded storage case

DIMENSIONS:

Hardware	Graphic
<p>Assembled unit: 116.69"w x 120.5"h x 17.72"d</p> <p>Approximate weight: 29 lbs / 14 kgs</p>	<p>Please be sure to include 2" bleed around the perimeter.</p>
<p>Shipping</p> <p>Shipping dimensions: 1 molded case: 19"l x 19"w x 57"h</p> <p>Approximate shipping weight (with case): 52 lbs / 24 kgs</p>	

ADDITIONAL INFORMATION:

Graphic material:
Dye-sublimated zipper pillowcase fabric

Included In Your Kit

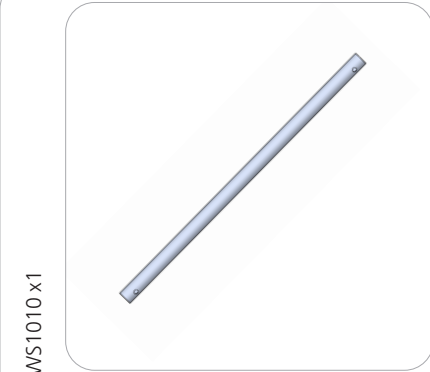
Components, Connectors & Graphics



FMLT-WS10-F x1



FMLT-WS1010-G x1



TUBE-679 x3



WS10-T2 x2



WS10-T5 x1

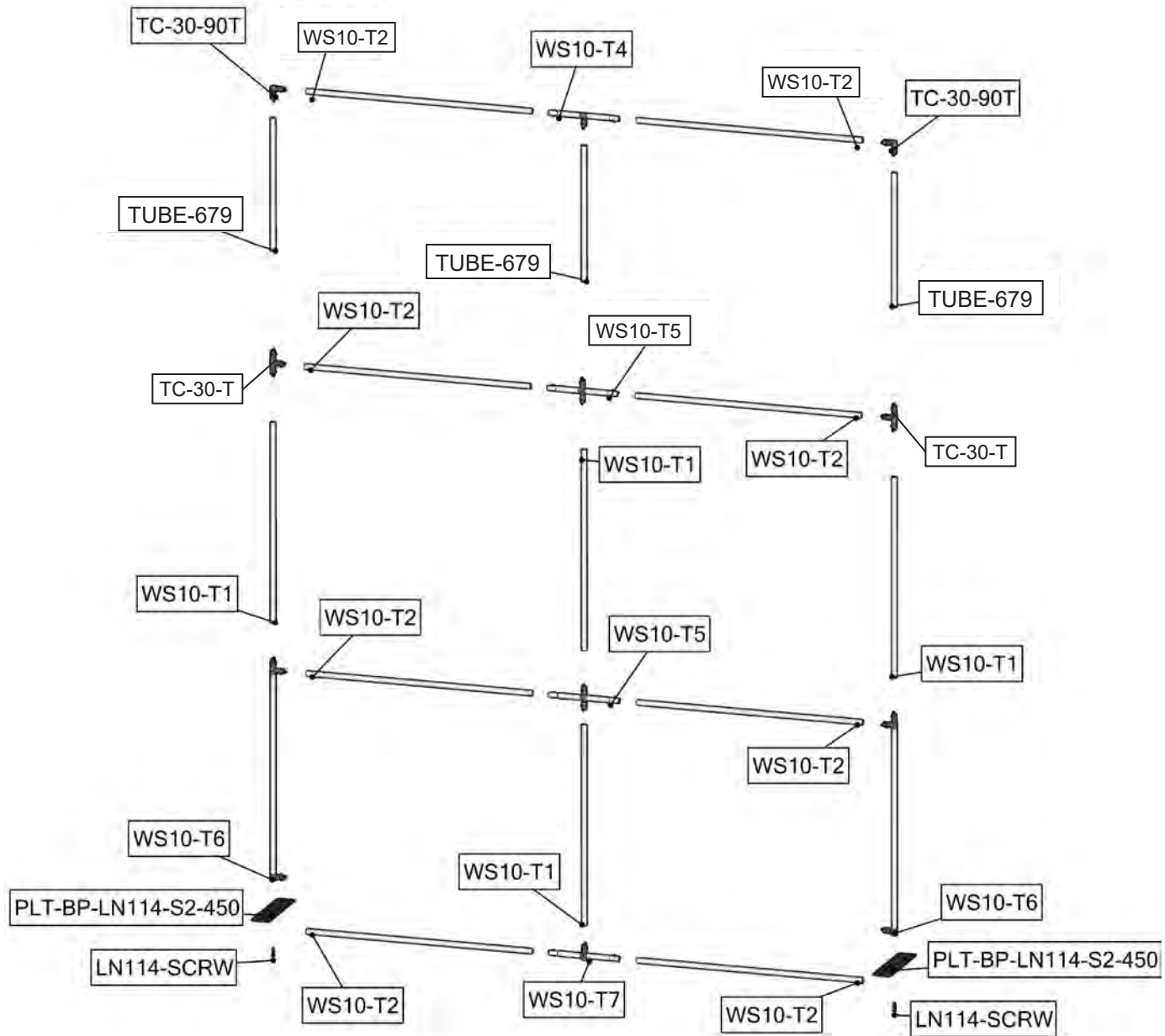


TC-30-T x2

FMLT-10FT-EXT-WS1010 x1

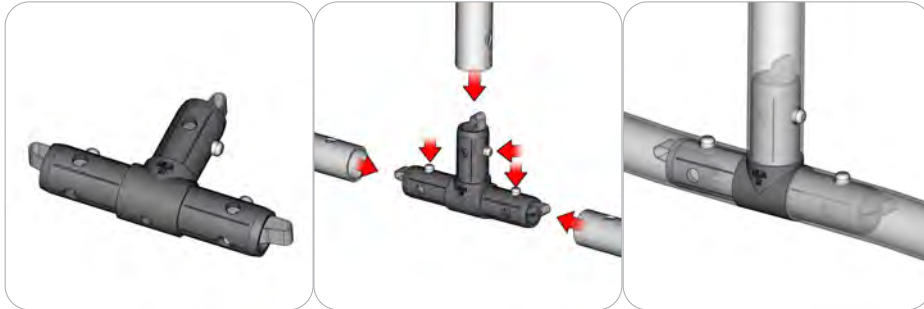
Exploded View

FMLT-WS1010



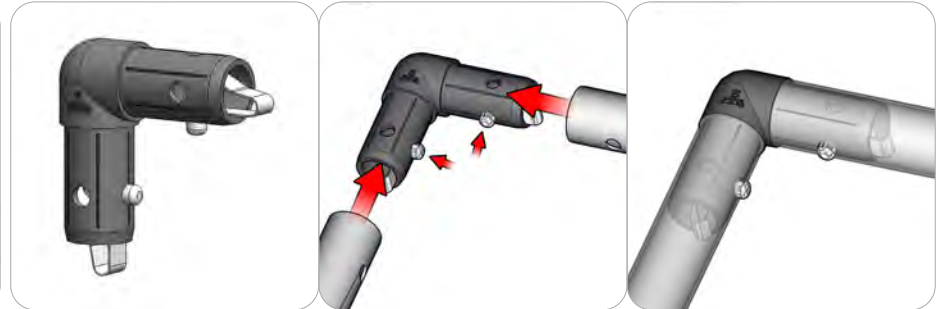
Connection Methods

Connection Method 1: TC-30-T



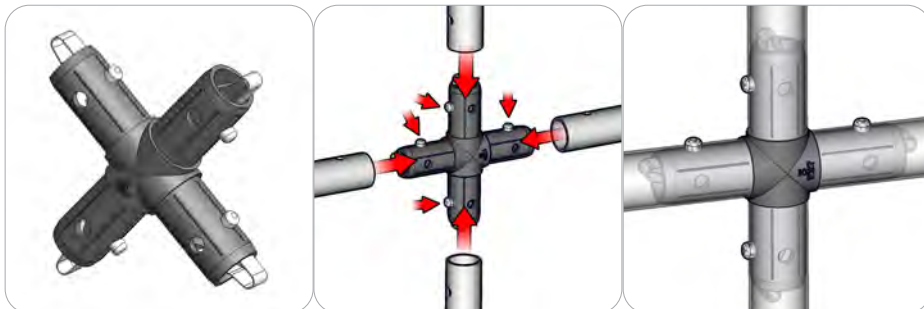
Take the plastic connector and make sure the snap buttons are in proper position for the frame tube holes. Simply press the snap button with your thumb and carefully slide the tube onto the connector. The snap button should pop through. Some twisting may be necessary to assure the snap button has popped all the way through the tube hole. Do not force the connection and be careful with the tube edges, they may be sharp.

Connection Method 2: TC-30-90T



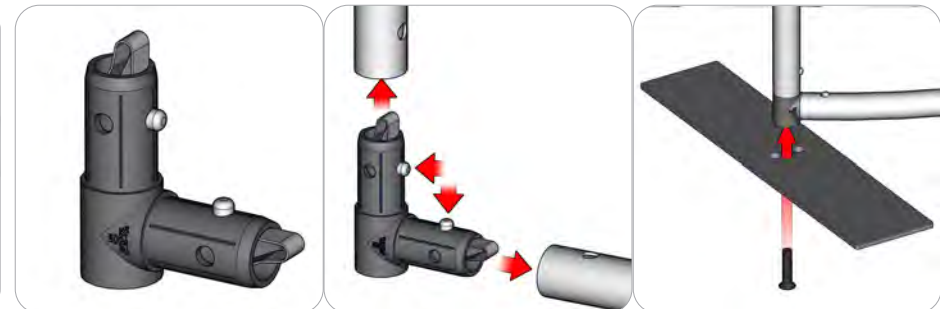
Take the plastic connector and make sure the snap buttons are in proper position for the frame tube holes. Simply press the snap button with your thumb and carefully slide the tube onto the connector. The snap button should pop through. Some twisting may be necessary to assure the snap button has popped all the way through the tube hole. Do not force the connection and be careful with the tube edges, they may be sharp.

Connection Method 3: TC-30-X



Take the plastic connector and make sure the snap buttons are in proper position for the frame tube holes. Simply press the snap button with your thumb and carefully slide the tube onto the connector. The snap button should pop through. Some twisting may be necessary to assure the snap button has popped all the way through the tube hole. Do not force the connection and be careful with the tube edges, they may be sharp.

Connection Method 4: TC-30-90B



Take the plastic connector and make sure the snap buttons are in proper position for the frame tube holes. Simply press the snap button with your thumb and carefully slide the tube onto the connector. The snap button should pop through. Some twisting may be necessary to assure the snap button has popped all the way through the tube hole. Do not force the connection and be careful with the tube edges, they may be sharp.

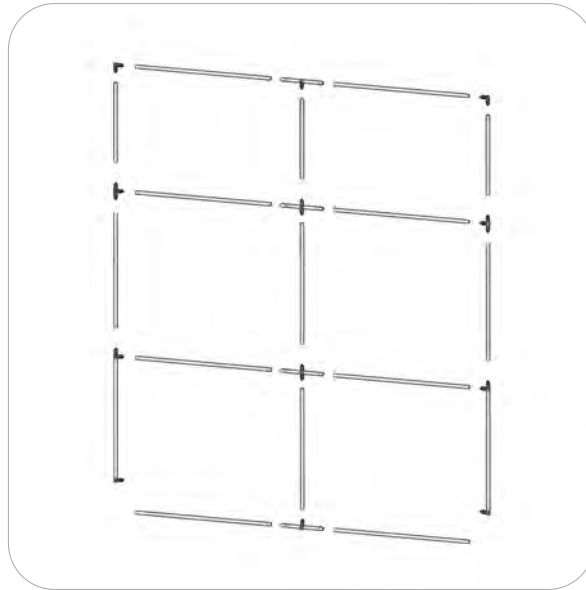
With the plastic connector in secured place, use the provided hex key for attaching the base plate with the M10 screw. Once the base plate is in the desired position, tighten the set screw.

Kit Assembly

STEP 1:

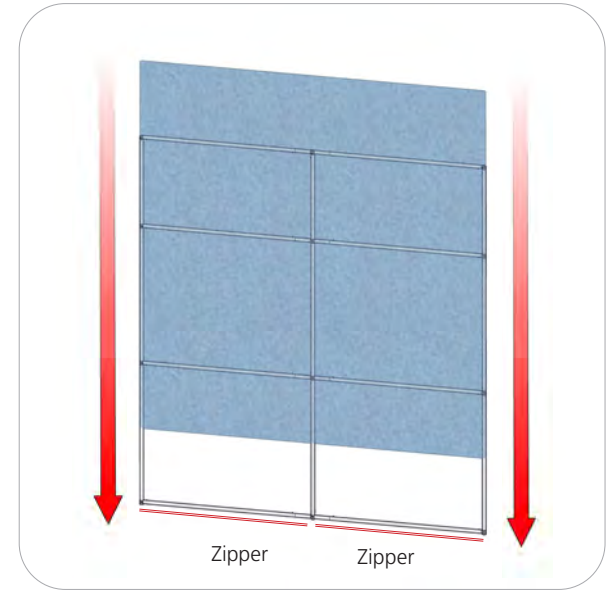
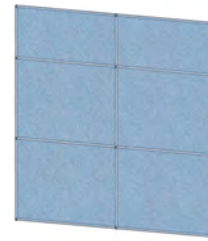
Gather the components to build the frame. Use the Exploded View for part labels.

Reference Connection Method(s) 1, 2, 3 and 4 for more details.



STEP 2:

Pull the pillowcase graphic over the frame and zipper it closed at the bottom.



STEP 3:

Attach the stabilizing bases to the bottom ends of the of the frame.

Reference Connection Method(s) 4 for more details.



STEP 4:

Set up is complete.

