

# YORKVILLE SMALL

Tailored To Waterjet Collection



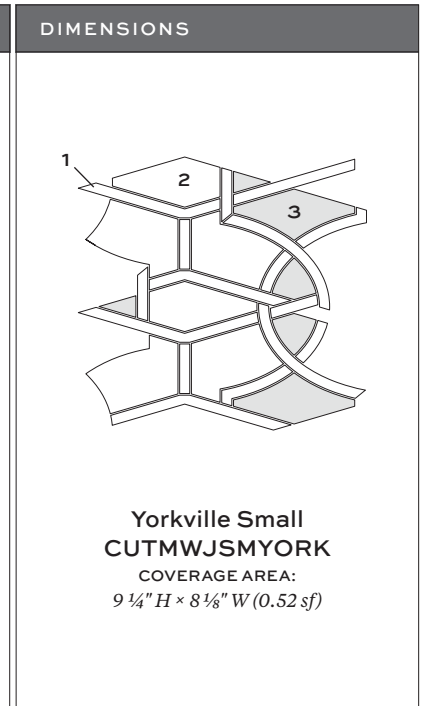
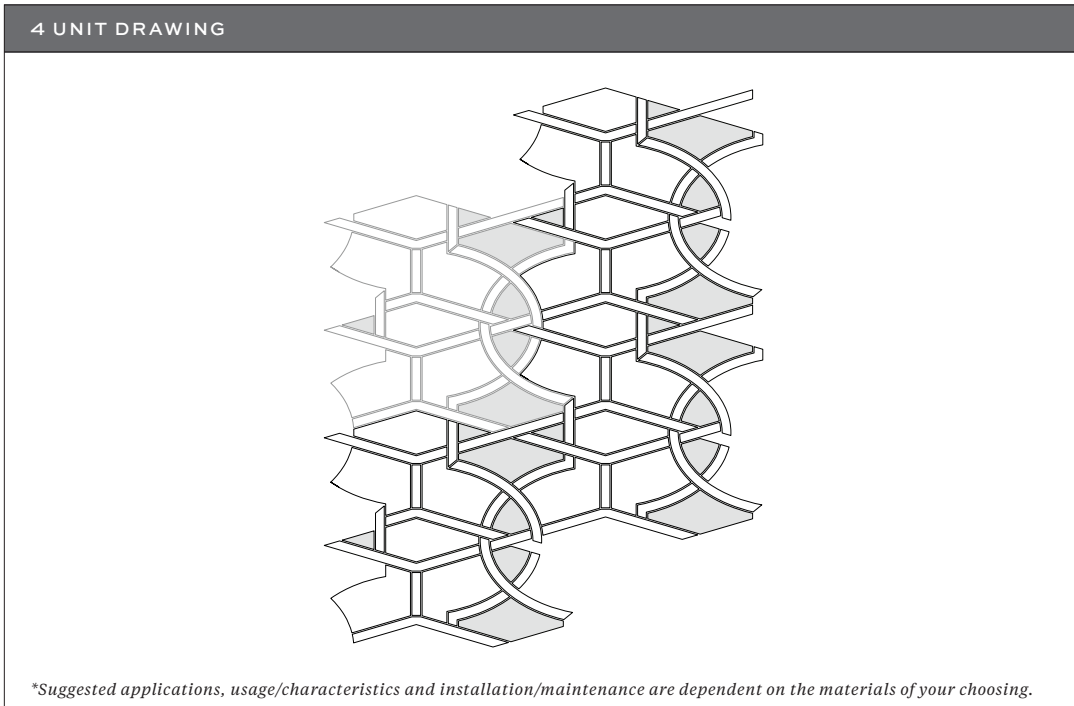
**Yorkville Small**  
 Thassos *inner shapes* (3)  
 Vanilla Onyx *background* (2)  
 Thassos *lines* (1)



**Yorkville Small**  
 Thassos *inner shapes* (3)  
 Bianco Carrara *background* (2)  
 Thassos *lines* (1)

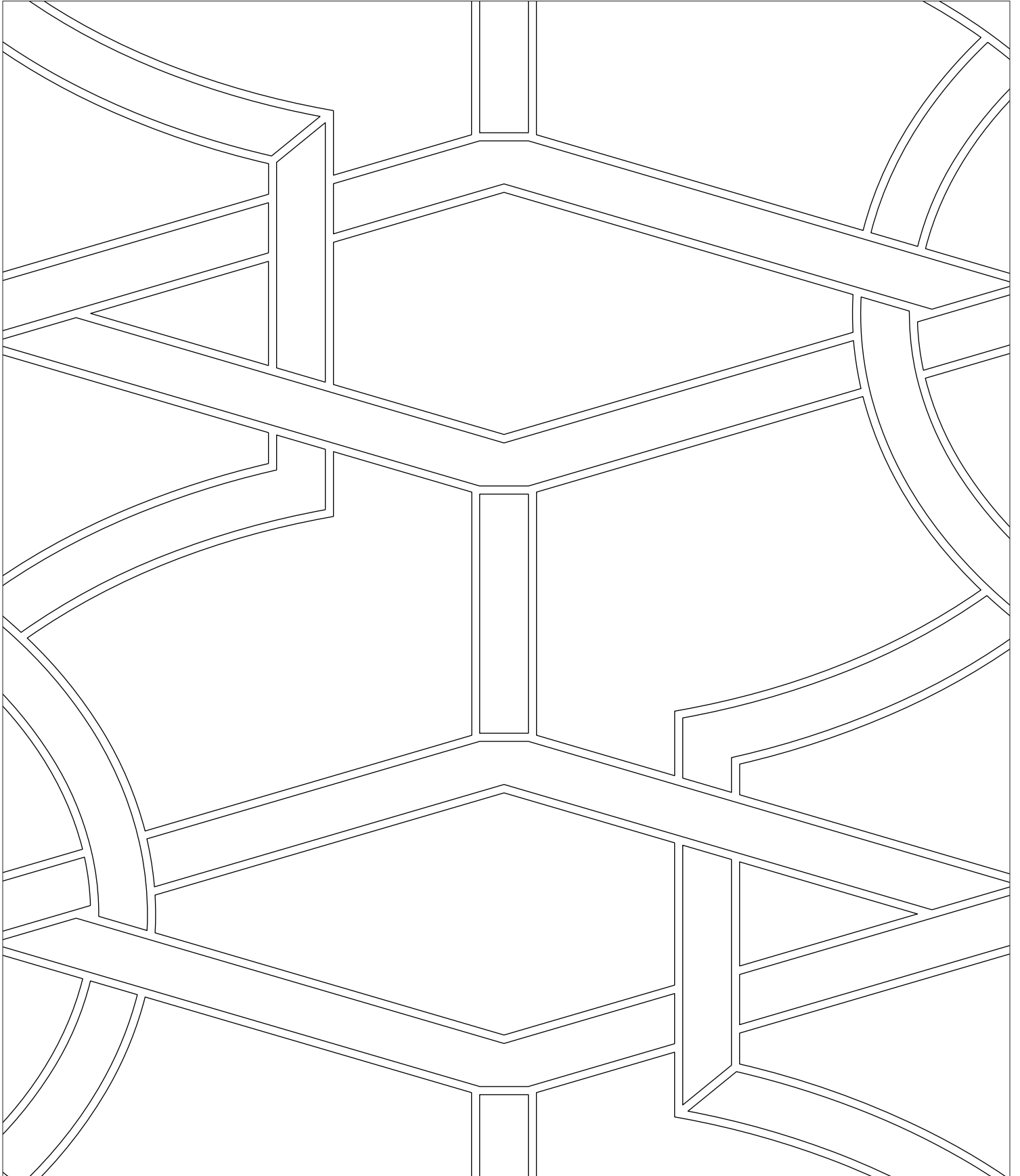


**Yorkville Small**  
 Dark Green Glass *inner shapes* (3)  
 Navy Indigo Glass *background* (2)  
 Denim Blue Glass *lines* (1)



# YORKVILLE SMALL

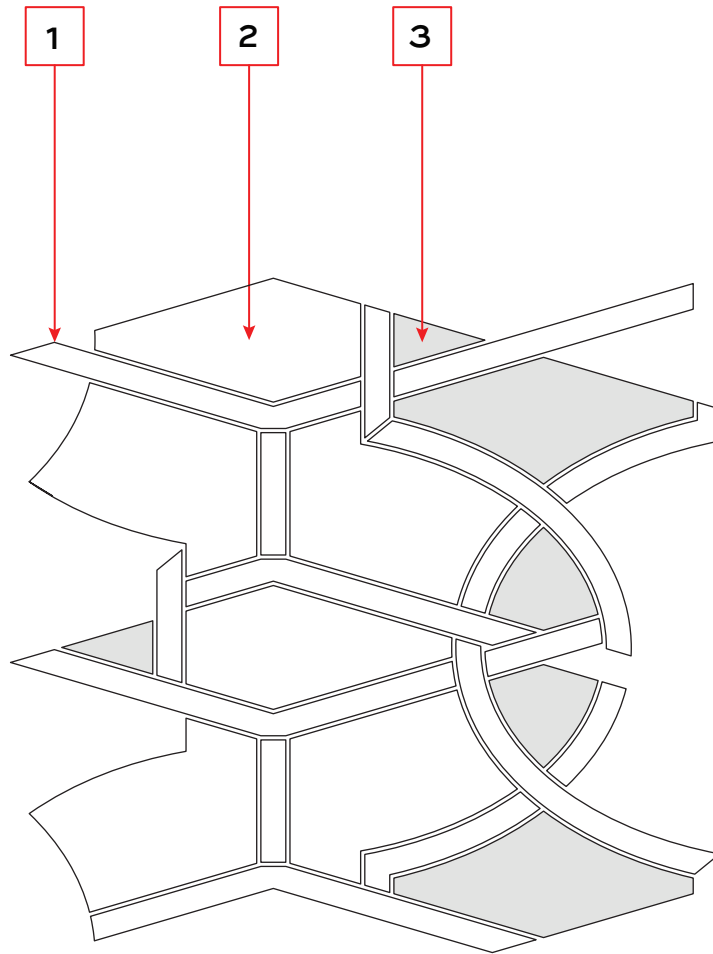
Tailored To Waterjet Collection



*\*Actual Size*

# YORKVILLE SMALL

SINGLE UNIT



## MATERIAL KEY

POSITION **1** \_\_\_\_\_

(ALL LINE PIECES)

POSITION **2** \_\_\_\_\_

(**2**/**3** BODY MATERIALS CAN BE OF SAME MATERIAL OR TWO DIFFERENT TYPES)

POSITION **3** \_\_\_\_\_

(**2**/**3** BODY MATERIALS CAN BE OF SAME MATERIAL OR TWO DIFFERENT TYPES)

ADDITIONAL NOTES: \_\_\_\_\_

\_\_\_\_\_

\_\_\_\_\_

\_\_\_\_\_

## DESIGN NAME: YORKVILLE SMALL

ITEM CODE: CUTMWJSMYORK

SHEET COVERAGE AREA: 9 1/4" H x 8 1/8" W

SQUARE FOOTAGE PER SHEET: 0.52 SF

P.O #: \_\_\_\_\_

SALES ASSOC: \_\_\_\_\_

FOR VISUALIZATION PURPOSES ONLY.  
THIS IS NOT AN INSTALLATION DRAWING.  
VERIFY ALL MEASUREMENTS PRIOR TO INSTALLATION.  
ALL MATERIALS ARE SUBJECT TO RANGE / VARIATION.  
GROUT JOINTS, CENTERING/ORIENTATION MAY VARY  
SLIGHTLY FROM DRAWING SHOWN.  
ALL CUTS HAVE A VARIANCE OF +/- 1/16".

Client Signature

Date: MM/DD/YY