

# YORKVILLE LARGE

Tailored To Waterjet Collection



**Yorkville Large Vanilla Onyx**

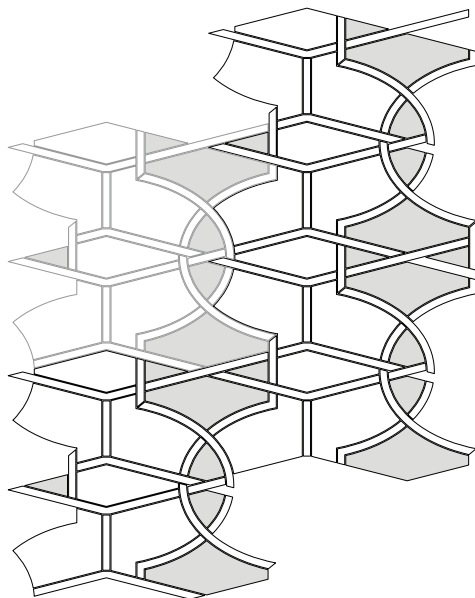
Thassos *inner shapes* (3)  
Vanilla Onyx *background* (2)  
Thassos *lines* (1)



**Yorkville Large**

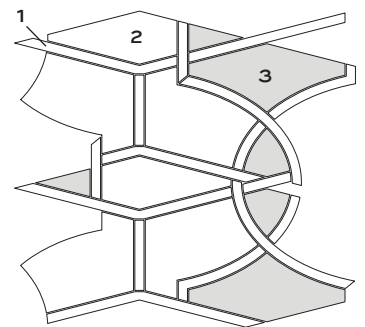
Ming Green *inner shapes* (3)  
Azul Cielo *background* (2)  
Thassos *lines* (1)

## 4 UNIT DRAWING



*\*Suggested applications, usage/characteristics and installation/maintenance are dependent on the materials of your choosing.*

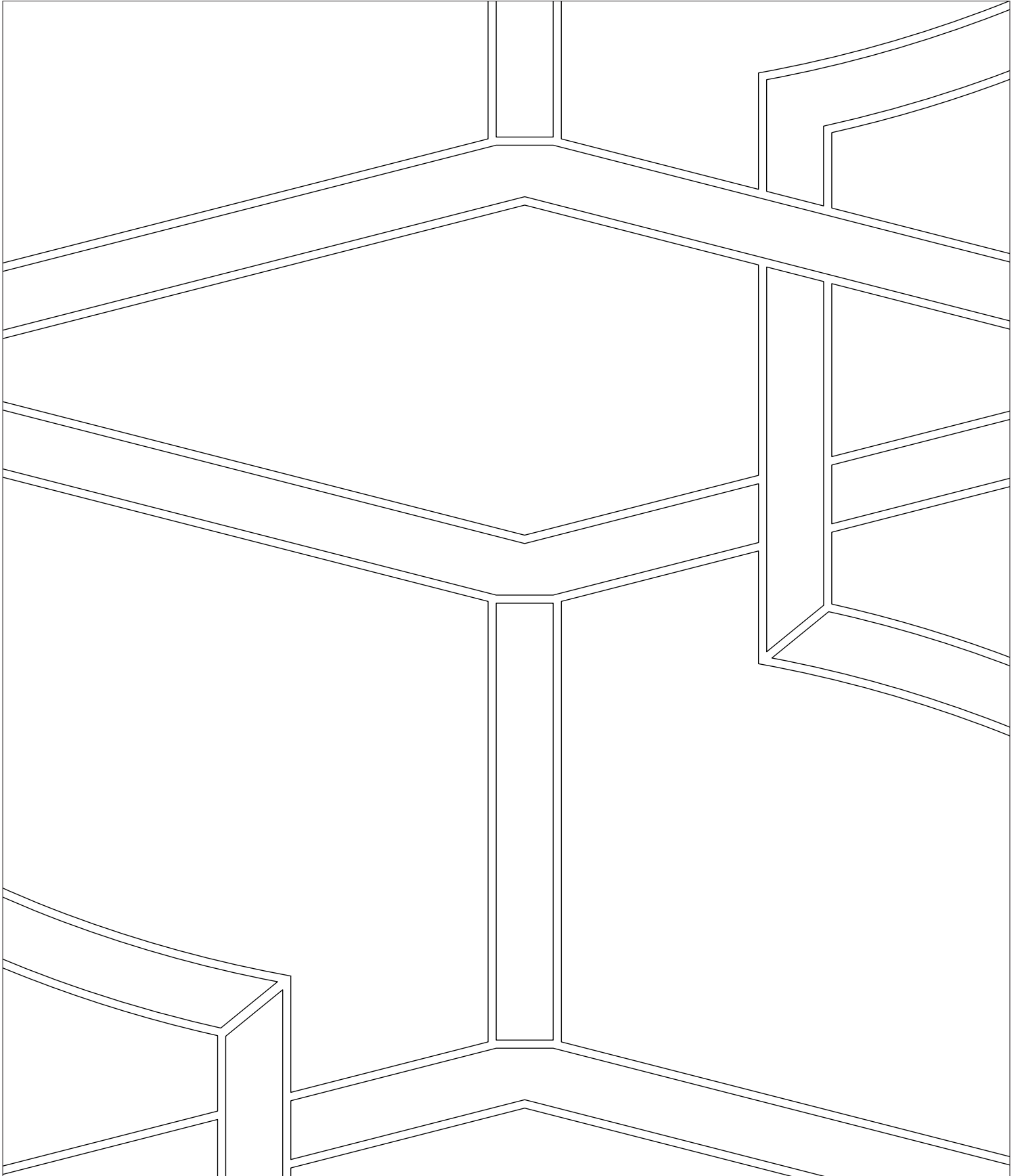
## DIMENSIONS



**Yorkville Large**  
**CUTMWJYORK**  
COVERAGE AREA:  
13 7/8" H x 12 3/16" W (1.17 sf)

# YORKVILLE LARGE

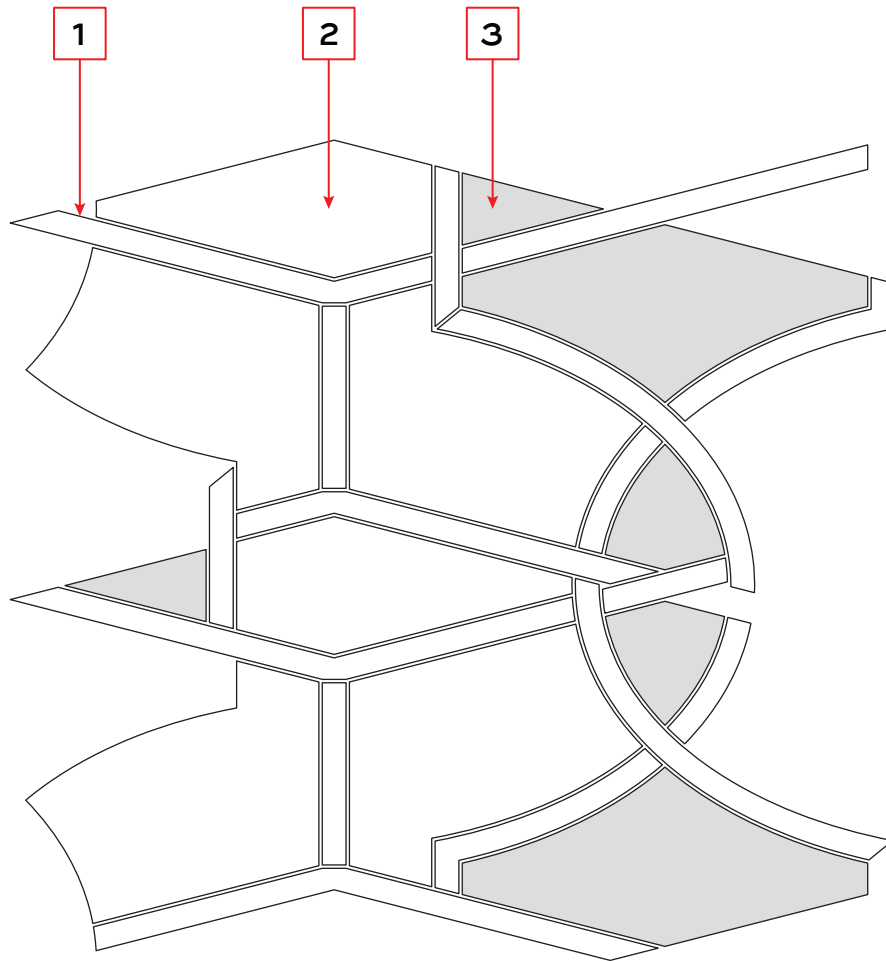
Tailored To Waterjet Collection



*\*Actual Size*

# YORKVILLE LARGE

SINGLE UNIT



## MATERIAL KEY

POSITION **1** \_\_\_\_\_

(ALL LINE PIECES)

POSITION **2** \_\_\_\_\_

(**2**/**3** BODY MATERIALS CAN BE OF SAME MATERIAL OR TWO DIFFERENT TYPES)

POSITION **3** \_\_\_\_\_

(**2**/**3** BODY MATERIALS CAN BE OF SAME MATERIAL OR TWO DIFFERENT TYPES)

ADDITIONAL NOTES: \_\_\_\_\_

\_\_\_\_\_

\_\_\_\_\_

\_\_\_\_\_

## DESIGN NAME: YORKVILLE LARGE

ITEM CODE: CUTMWJYORK

SHEET COVERAGE AREA: 13 <sup>7</sup>/<sub>8</sub>" H x 12 <sup>3</sup>/<sub>16</sub>" W

SQUARE FOOTAGE PER SHEET: 1.17 SF

P.O #: \_\_\_\_\_

SALES ASSOC: \_\_\_\_\_

FOR VISUALIZATION PURPOSES ONLY.  
THIS IS NOT AN INSTALLATION DRAWING.  
VERIFY ALL MEASUREMENTS PRIOR TO INSTALLATION.  
ALL MATERIALS ARE SUBJECT TO RANGE / VARIATION.  
GROUT JOINTS, CENTERING/ORIENTATION MAY VARY  
SLIGHTLY FROM DRAWING SHOWN.  
ALL CUTS HAVE A VARIANCE OF +/- 1/16".

Client Signature

Date: MM/DD/YY