

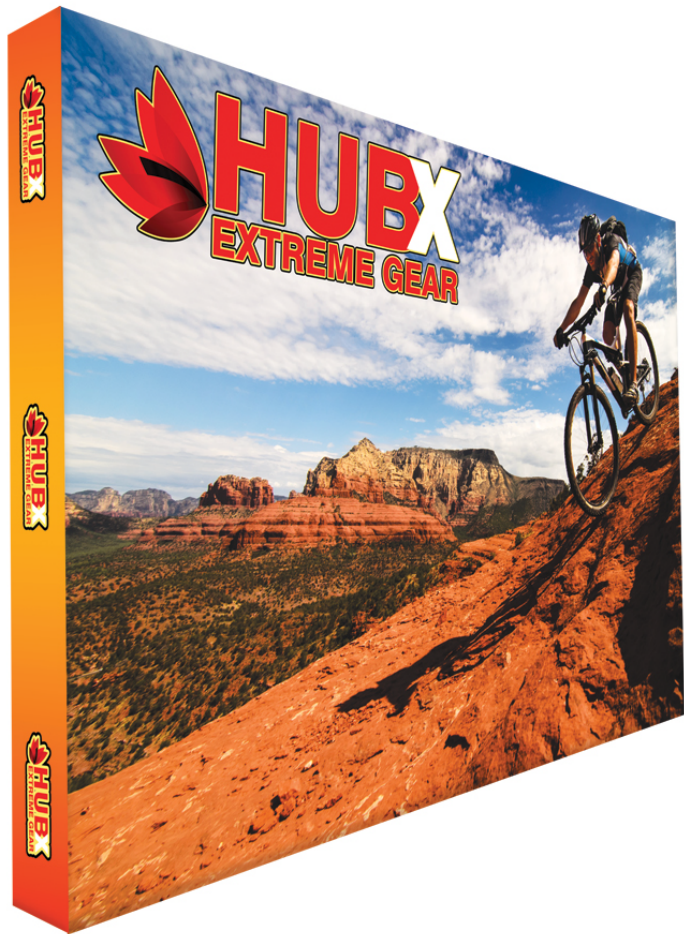
RPL 15'x 10' STRAIGHT

RPL FABRIC POP UP DISPLAY

PRODUCT CODE: RPL6X4STR



On frame On graphic



PRODUCT DESCRIPTION

The RPL Fabric Pop Up is the perfect display on the go and is ready in minutes. The lightweight aluminum alloy frame locks in place using plastic hooks. Attach the graphic to the frame with hook and loop fasteners. Interchangeable graphics make it a versatile choice. Easily collapse the frame with front graphic attached and stow in your carry bag.

DISPLAY DIMENSIONS	175.25"W x 117.62"H x 12.37"D
GRAPHIC SIZE	199.75"W x 118"H (with end caps)
	174.25"W x 118"H (no end caps)

GRAPHIC MATERIAL

Stretch Fabric

GRAPHIC FINISHING

2" Loop Velcro on back perimeter

DISPLAY CONSTRUCTION

Aluminum frame, 2" Velcro (hook) strips, and plastic hooks.

SHIPPING WEIGHTS & DIMENSIONS

Shipping Weight	48 lbs (stand only)
	54 lbs (frame and graphic)
Shipping Dimensions	22"L x 14.25"W x 32.75"H

LARGE QUANTITY FREIGHT

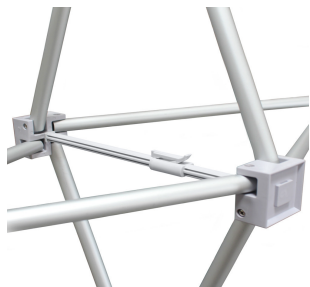
Freight Shipping	8 boxes per 48"L x 40"W x 66"H skid
Freight Weight	429 lbs (frame only)
	477 lbs (frame & graphic)

GRAPHIC TURN AROUND TIME

1 business day after proof approval

AVAILABLE ACCESSORIES

T135 LED Light	RPL LED Light (Black or Silver)
Genie Counter Case	
AVAILABILITY	CA and PA



Plastic hooks



Collapsed Frame



RPL LED Light
Available in Black or Silver
(OPTIONAL)



15' x 10' Carry Bag
(INCLUDED)



Genie Counter Case
(OPTIONAL)



T135 LED Light
(OPTIONAL)

RPL 15'x 10' STRAIGHT

RPL FABRIC POP UP DISPLAY
PRODUCT CODE: RPL6X4STR

PARTS LIST



(Qty 1) 15' x 10' RPL Frame



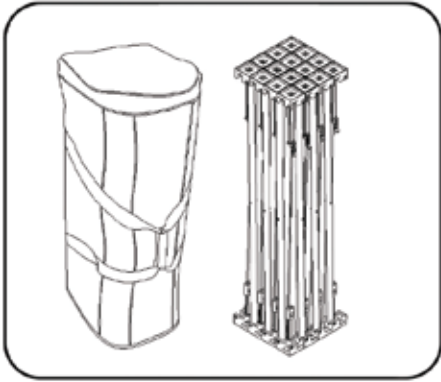
(Qty 1) 15' x 10' RPL Carry Bag

RPL FABRIC POP UP DISPLAY SET UP INSTRUCTIONS

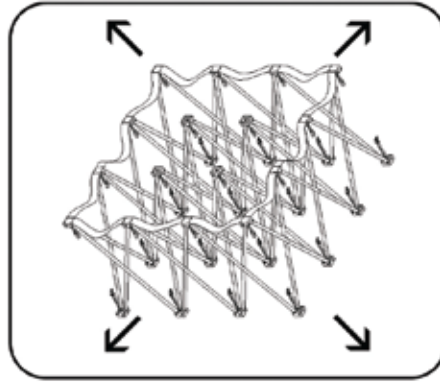
The following instructions are compatible with all shapes and sizes of RPL frames

Frame Assembly

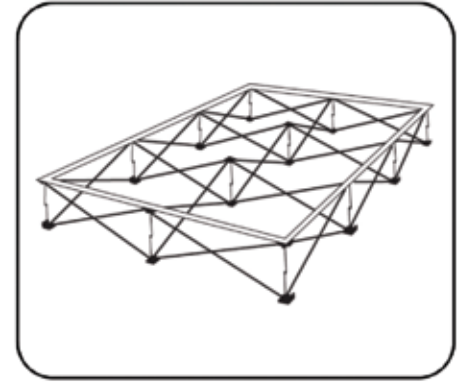
1. Remove frame from bag.



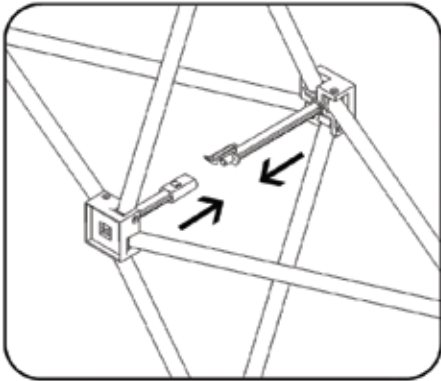
2. Expand frame by pulling outward.



3. Make sure velcro strips are facing up.

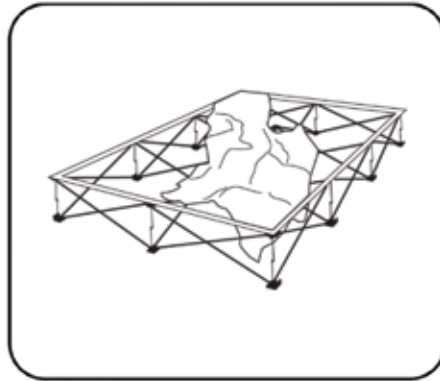


4. Push together all locks on frame to connect.

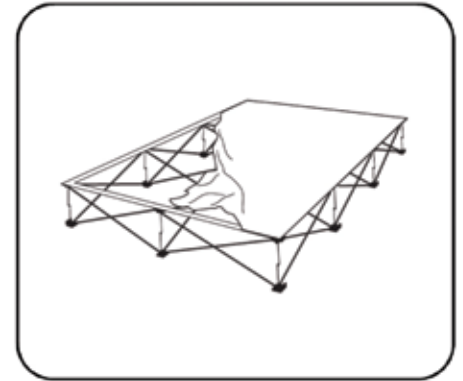


Graphic Installation

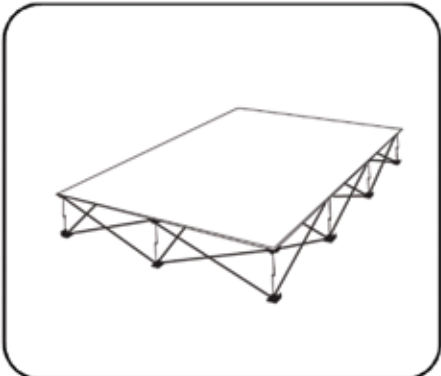
5. Starting at one corner, attach velcro on the graphic to velcro on the frame.



6. Attach the rest of the graphic by working your way around the frame. Make sure graphic is pulled taut while attaching the velcro.



7. If needed, adjust graphic for maximum tautness. Secure end caps to complete.



*Note - To avoid damage, disconnect end caps and all hooks before collapsing frame. Graphic can remain on frame during storage.