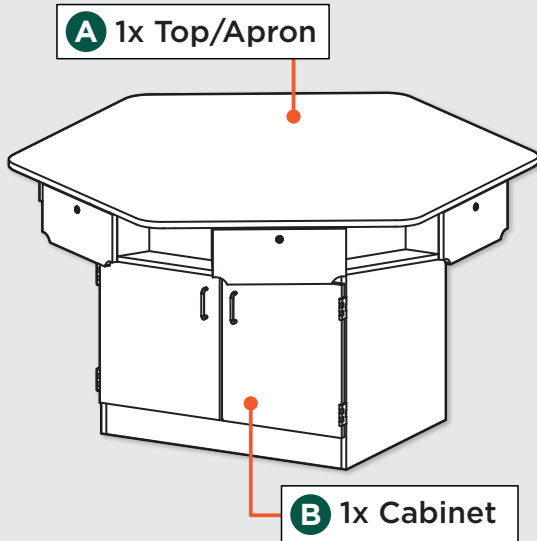
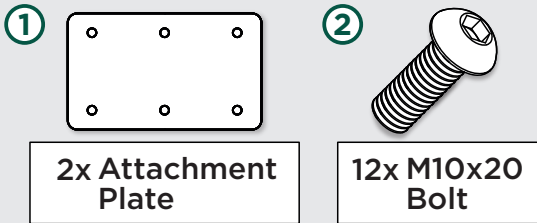




### COMPONENTS



### INCLUDED HARDWARE

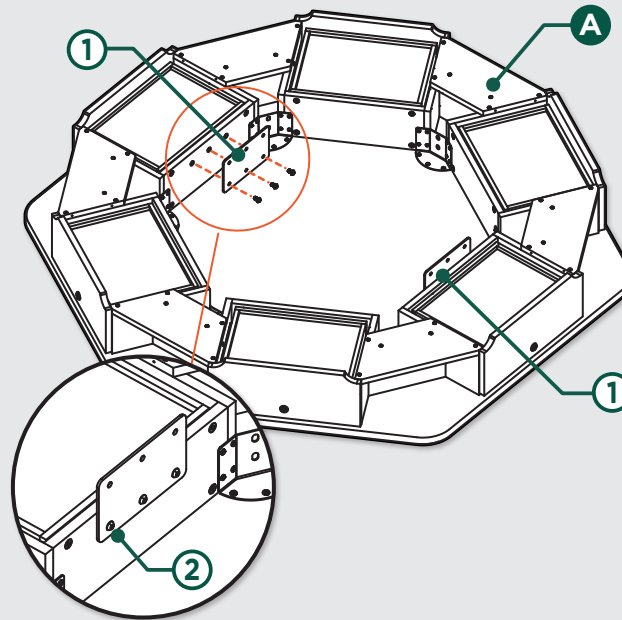


### TOOLS FOR ASSEMBLY



**Please Note: This installation requires two people.**

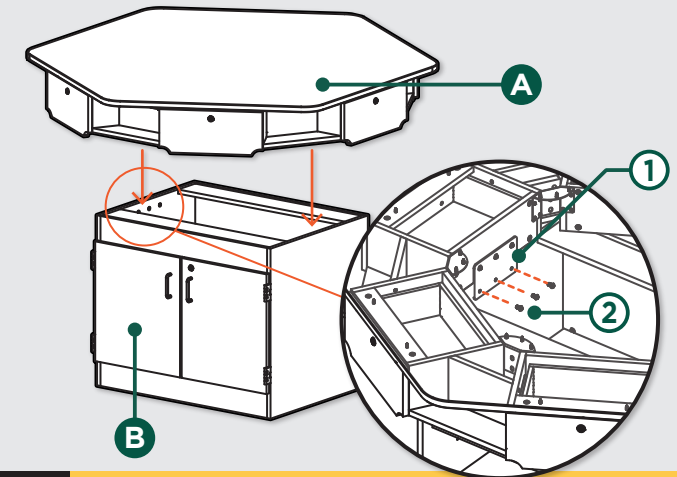
**1** Place the Top/Apron (A) on a clean, flat surface with the tabletop facing down. Install the Attachment Plates (1) by aligning them with the holes on the Apron, then proceed to install three Bolts (2) per Plate using the Allen Key (3).



**!** Ensure that the bolts are fastened tightly.

**2** With assistance, place the Top/Apron (A) onto the Base Cabinet (B), ensuring Attachment Plates (1) are positioned inside the base. Secure the Apron to the Base using three Bolts (2) per plate.

**Note: Access the attachment plates through the doors of the cabinet.**



**!** Double check all bolts are tightened securely before use. Check all bolts periodically. Failure to completely tighten the bolts may result in tipping and possible injury!

### Optional Kick Plate Installation:

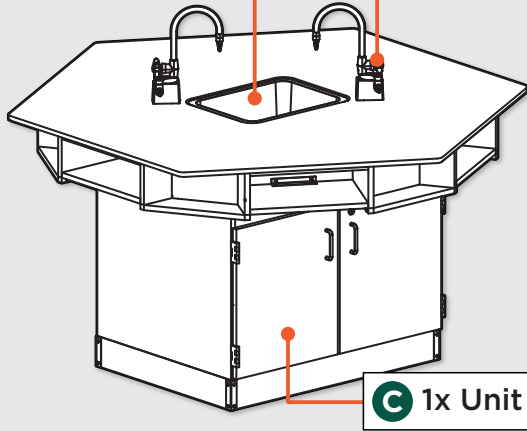
Place the Kick Plate around the base of the unit. Use included Brackets (x4) and Screws (x16) to secure it. *Drill needed.*

**Congratulations, your Hexagon Workstation is now assembled and ready to use.**  
*For Power and Sink Installation see follow pages.*

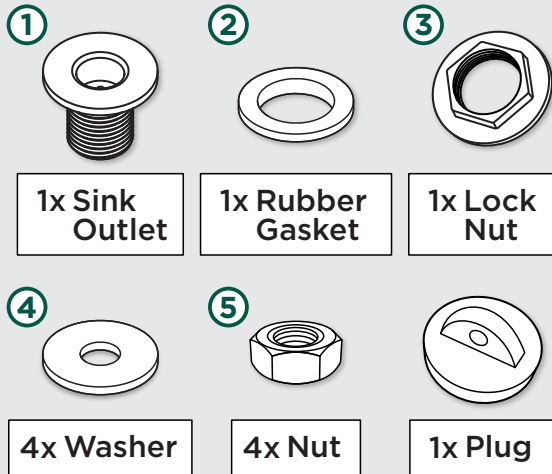
*Dear Customer, Thank you for your purchase. Although extreme care goes into manufacturing & packaging of this product, mistakes are possible. If you encounter any missing parts or difficulty in assembly, please contact our customer service Toll Free at 1-800-261-4112 or [info@nationalpublicseating.com](mailto:info@nationalpublicseating.com) for courteous & immediate resolution to your problem.*

**COMPONENTS**

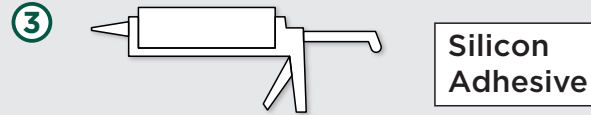
- A** 1x Epoxy Sink
- B** 2x Fixture



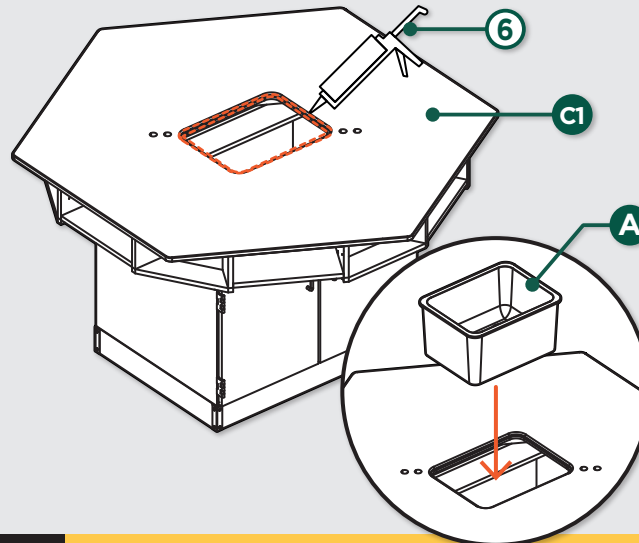
**INCLUDED HARDWARE**



**TOOLS FOR ASSEMBLY**

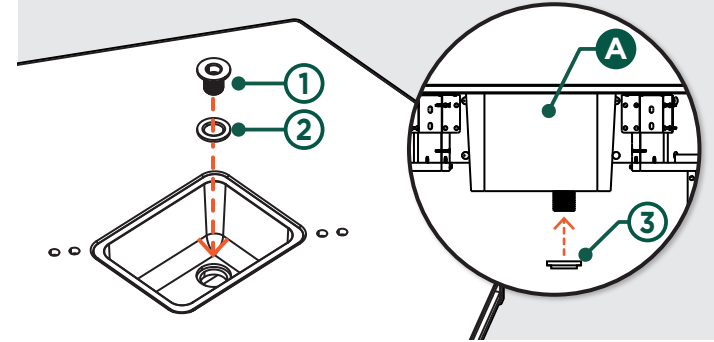


**1** Apply Silicone Adhesive **6** around the perimeter of the sink cutout on the top surface **C1**. Gently place the Sink **A** into the cutout and press into place. Use a cloth to wipe away any excess caulk. Allow the adhesive to set for 24 hours to cure completely.

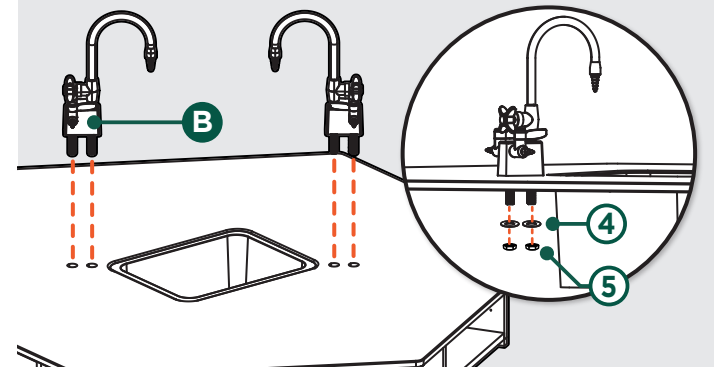


**!** Ensure that the adhesive has completely cured before using it.

**2** Connect Sink Outlet **1**. Secure it with Lock Nut **3** from under the Sink **A**.  
*Note: Access the Sink Outlet through the doors of the cabinet.*



**3** Install the Gas/Water Fixtures **2** by placing them into the pre-drilled holes on the top surface. Secure them using the Washers **4** and Lock Nut **5**.



**!** All Water and Gas connections must be done by a trained professional following local code.

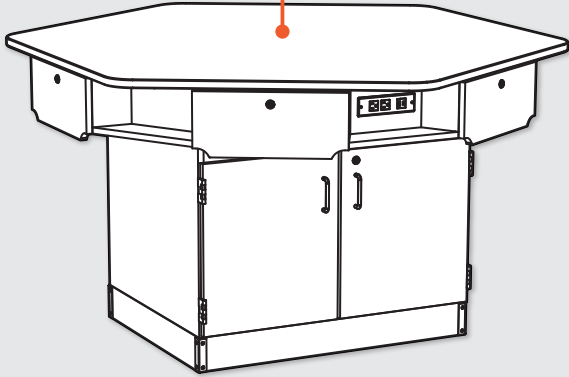
**Congratulations, your Hexagon Workstation with Epoxy Sink is now assembled and ready to use.**

*Dear Customer, Thank you for your purchase. Although extreme care goes into manufacturing & packaging of this product, mistakes are possible. If you encounter any missing parts or difficulty in assembly, please contact our customer service Toll Free at 1-800-261-4112 or [info@nationalpublicseating.com](mailto:info@nationalpublicseating.com) for courteous & immediate resolution to your problem.*

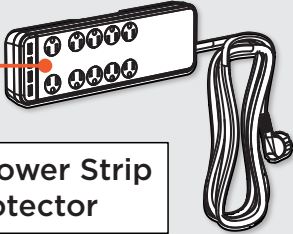


### COMPONENTS

**A** 1x Unit with Power

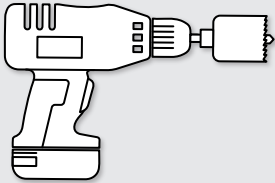


**B** 1x Central Power Strip Surge Protector



### TOOLS FOR ASSEMBLY

**1**



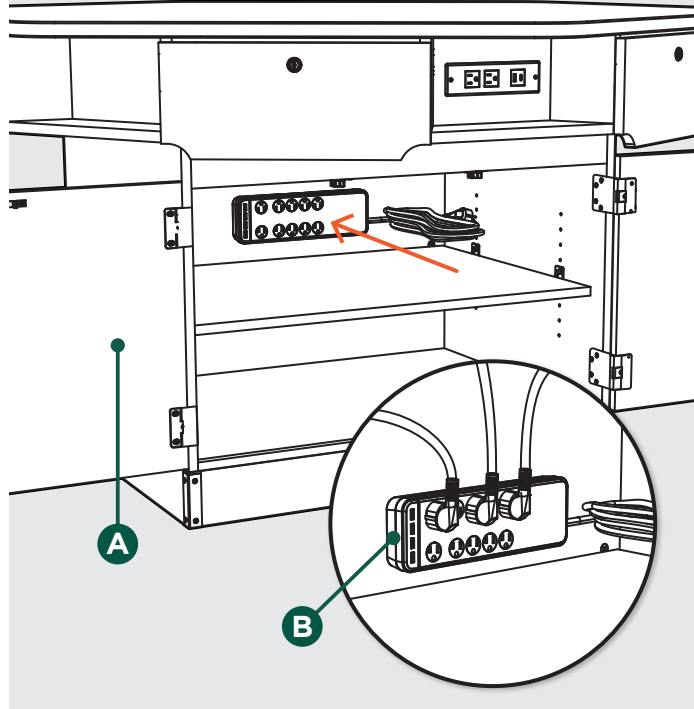
Drill with Hole Saw



Ensure that all power cords from the outlets are placed on the inner side of the apron assembly when attaching it to the base cabinet.

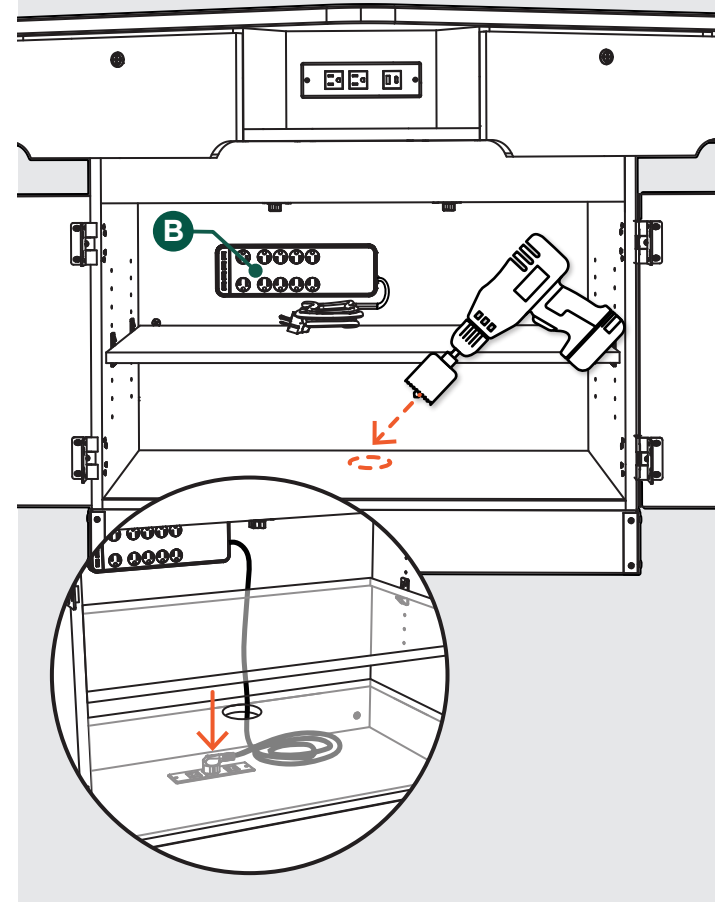
**1**

Mount the Central Power Strip **B** in the desired location inside the Base Cabinet **A**. Connect the three Power Cords of the Outlets to the Central Power Strip Surge Protector.



**2**

Use a Hole Saw **1** to create a hole in the desired location, allowing the Surge Protector Cord **B** to be plugged into a wall or floor outlet.



**Congratulations, your Hexagon Workstation with Power is now assembled and ready to use.**

*Dear Customer, Thank you for your purchase. Although extreme care goes into manufacturing & packaging of this product, mistakes are possible. If you encounter any missing parts or difficulty in assembly, please contact our customer service Toll Free at 1-800-261-4112 or [info@nationalpublicseating.com](mailto:info@nationalpublicseating.com) for courteous & immediate resolution to your problem.*